

ZMOD AWG 1411

rev C.1

Variant: [No Variations]

Sheet	Index	Sheet	Index	Sheet	Index
.....
1	COVER PAGE	4	POD-MCU	7	ANALOG POWER SUPPLIES
2	BLOCK DIAGRAM	5	AWG DAC	8	ANALOG POWER
3	SYZYGY	6	AWG CHANNELS 1, 2		SUPPLIES II

Copyright 2021, DIGILENT Inc. All Rights Reserved.

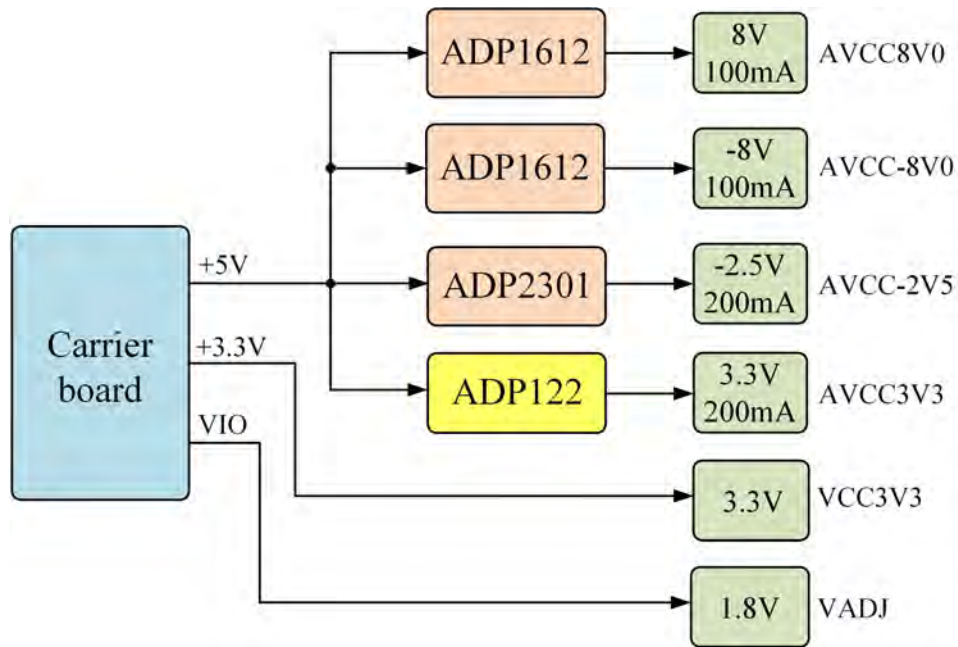
Terms of Use. The contents are provided "AS IS". DIGILENT DISCLAIMS ALL WARRANTIES, EITHER EXPRESS OR IMPLIED, INCLUDING, BUT NOT LIMITED TO, THE IMPLIED WARRANTIES OF MERCHANTABILITY, FITNESS FOR A PARTICULAR PURPOSE, AND NON-INFRINGEMENT OF INTELLECTUAL PROPERTY. The contents could contain technical inaccuracies, typographical errors or out-of-date information. Information may be updated or changed at any time, without notice. Use of such information is therefore at your own risk. Digilent may at any time revise these Terms of Use. You are bound by such revisions and should therefore visit <https://store.digilentinc.com/terms-of-use/> to review the current Terms of Use.

Limitation of Liability. DIGILENT WILL NOT BE LIABLE FOR DIRECT, INDIRECT, SPECIAL, INCIDENTAL, COVER, ECONOMIC, OR CONSEQUENTIAL DAMAGES ARISING OUT OF THE USE OR INABILITY TO USE THE CONTENTS EVEN IF DIGILENT IS ADVISED OF THE POSSIBILITY OF SUCH DAMAGES.

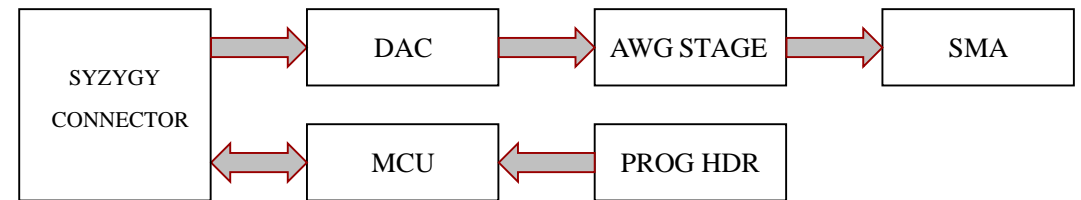
Title ZMOD AWG 1411		Rev C.1 Copyright 2021
Circuit Cover Page		 DIGILENT [®] <i>A National Instruments Company</i>
Doc# 500-397		
Engineer RV		
Author DG		
Date 07/20/2021		
Sheet# 1 out of 8		

ZMOD AWG 1411

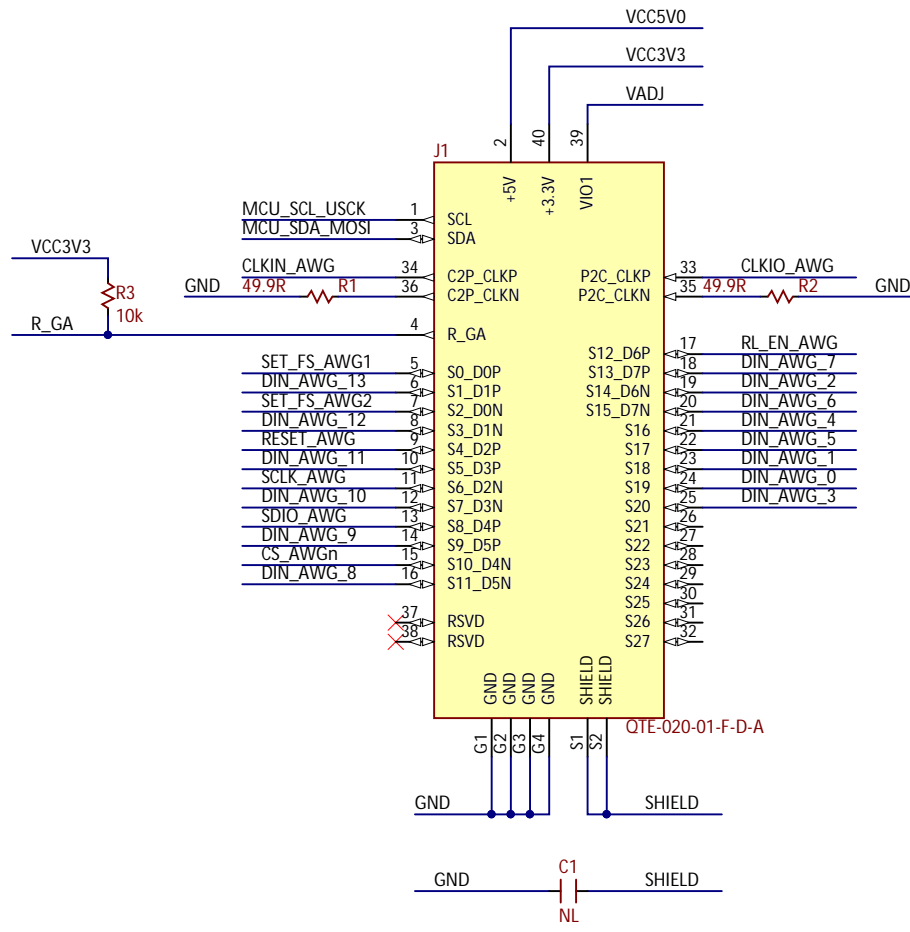
Power Tree



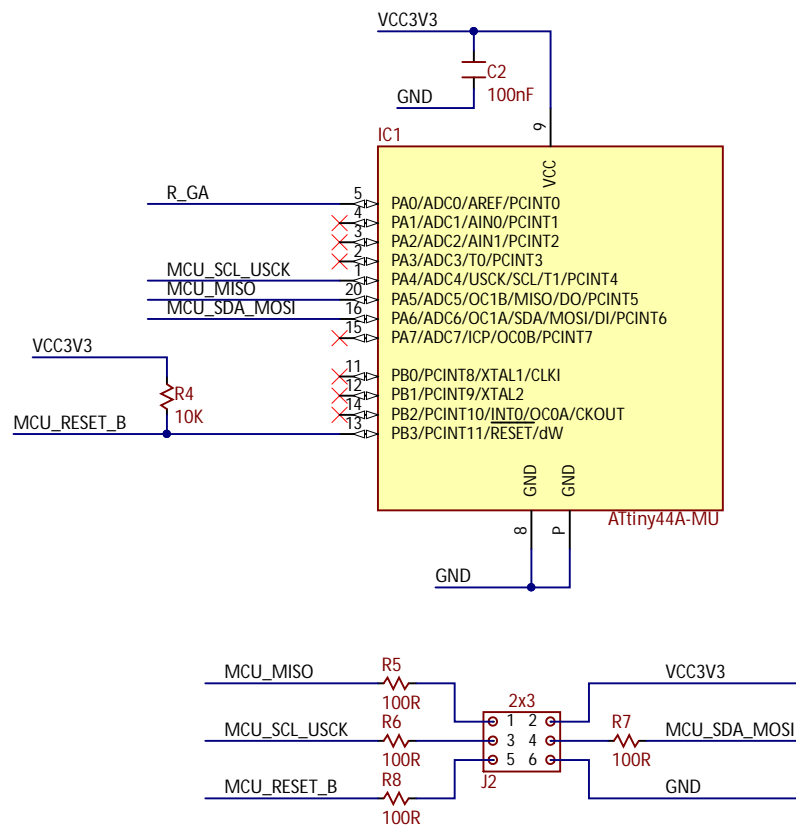
Block Diagram



Title ZMOD AWG 1411		Rev C.1 Copyright 2021
Circuit Block Diagram		 A National Instruments Company
Doc# 500-397		
Engineer RV		
Author DG		
Date 07/20/2021		
Sheet# 2 out of 8		



Title ZMOD AWG 1411		Rev C.1 Copyright 2021
Circuit Syzygy	 A National Instruments Company	
Doc# 500-397		
Engineer RV		
Author DG		
Date 07/20/2021		
Sheet# 3 out of 8		



Title ZMOD AWG 1411		Rev C.1 Copyright 2021
Circuit Pod-MCU		
Doc# 500-397		
Engineer RV		
Author DG		
Date 07/20/2021		
Sheet# 4 out of 8		

A

A

B

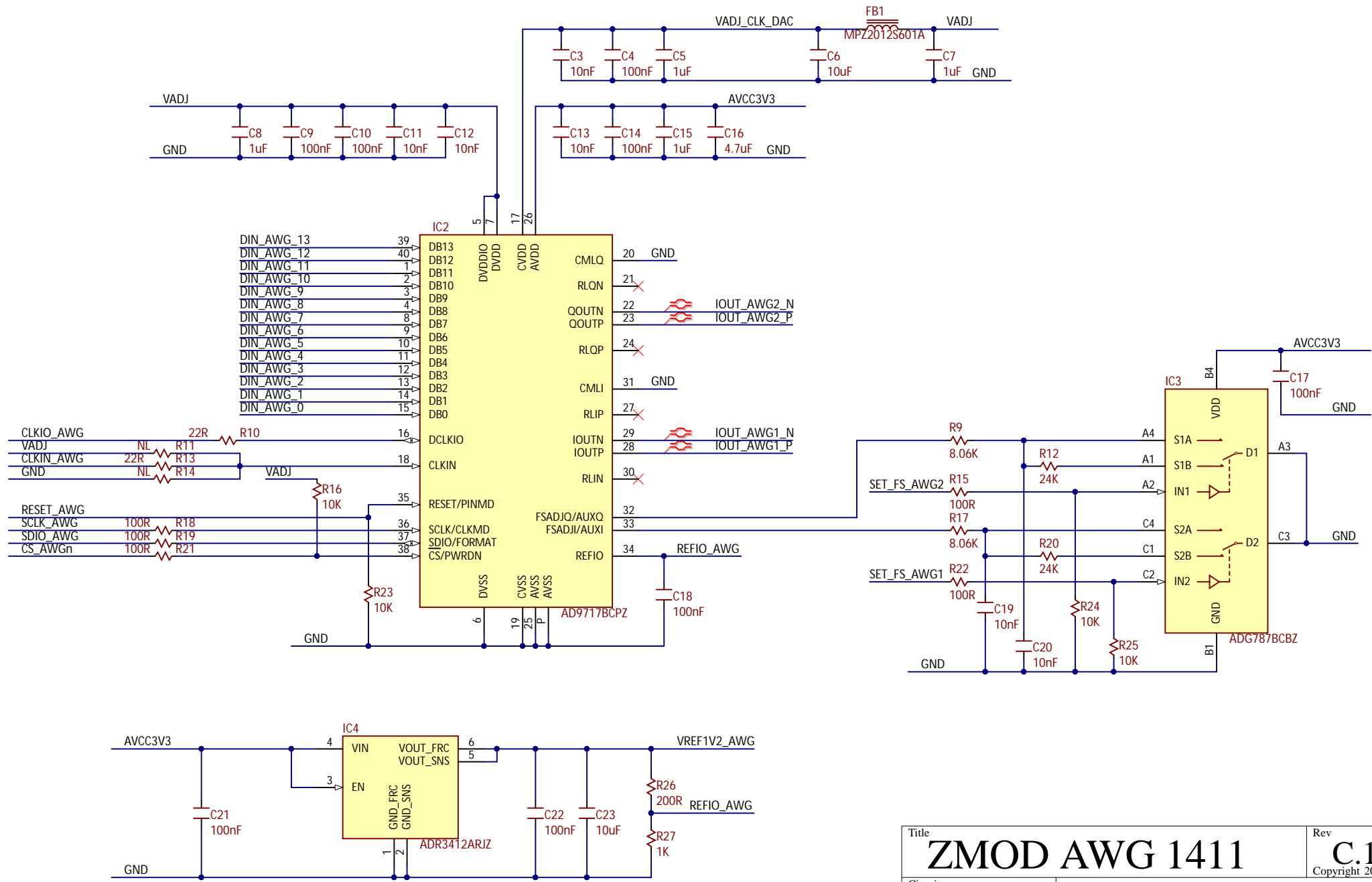
B

C

C

D

D

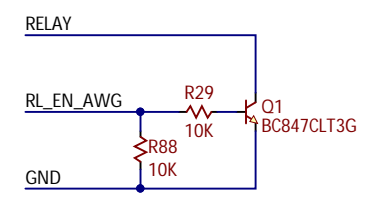


Title		Rev	
ZMOD AWG 1411		C.1	
		Copyright 2021	
Circuit	AWG DAC		
Doc#	500-397		
Engineer	RV		
Author	DG		
Date	07/20/2021		
Sheet#	5 out of 8		

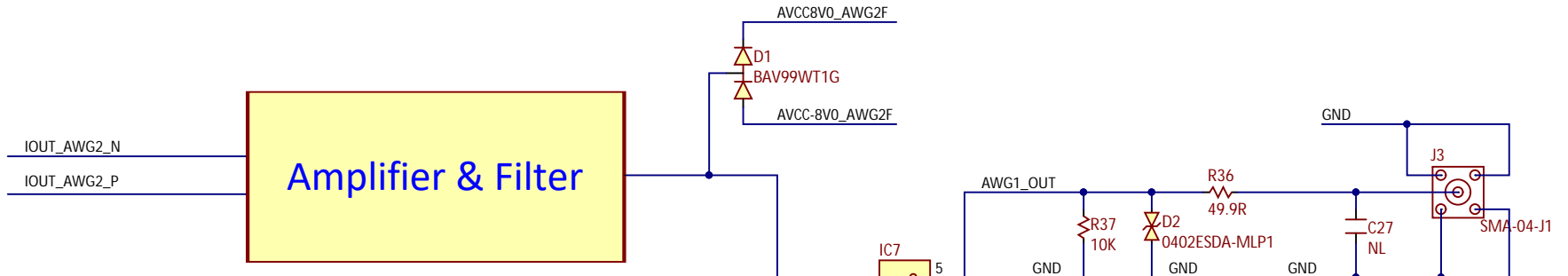


DIGILENT
A National Instruments Company

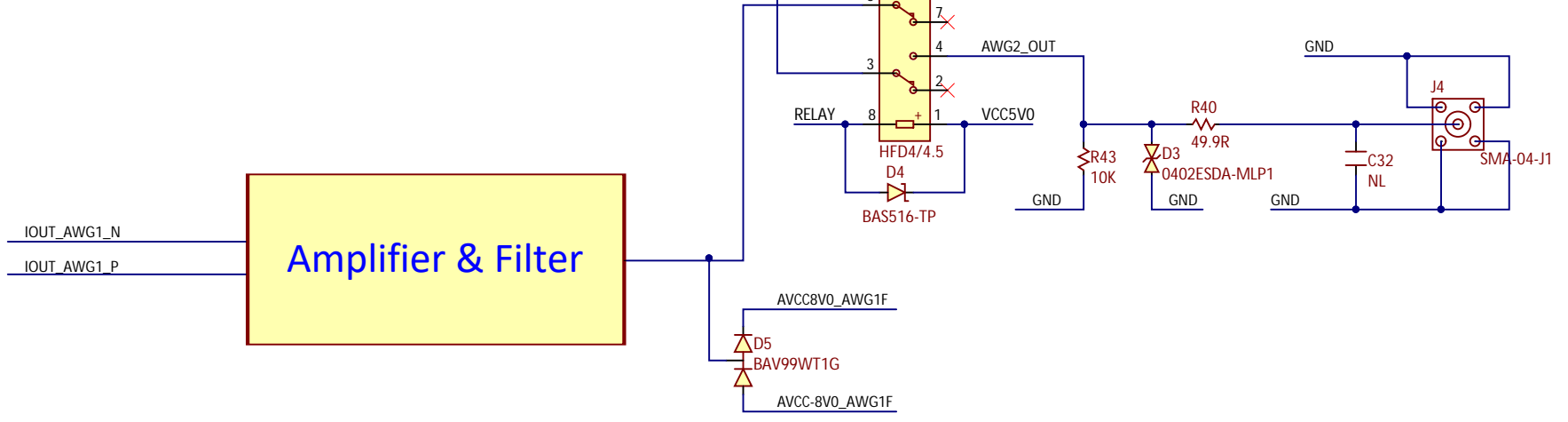
A



B

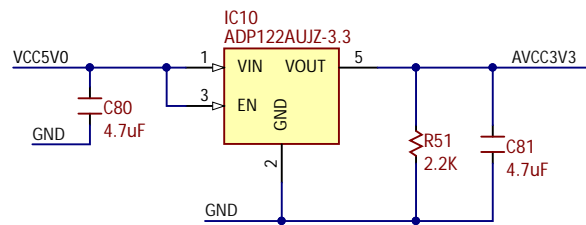
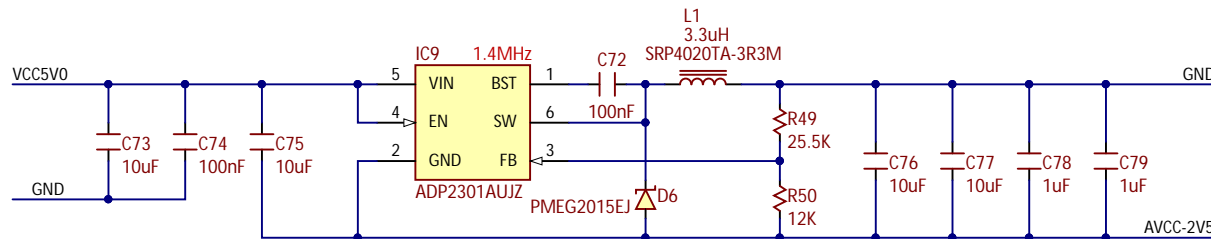


C

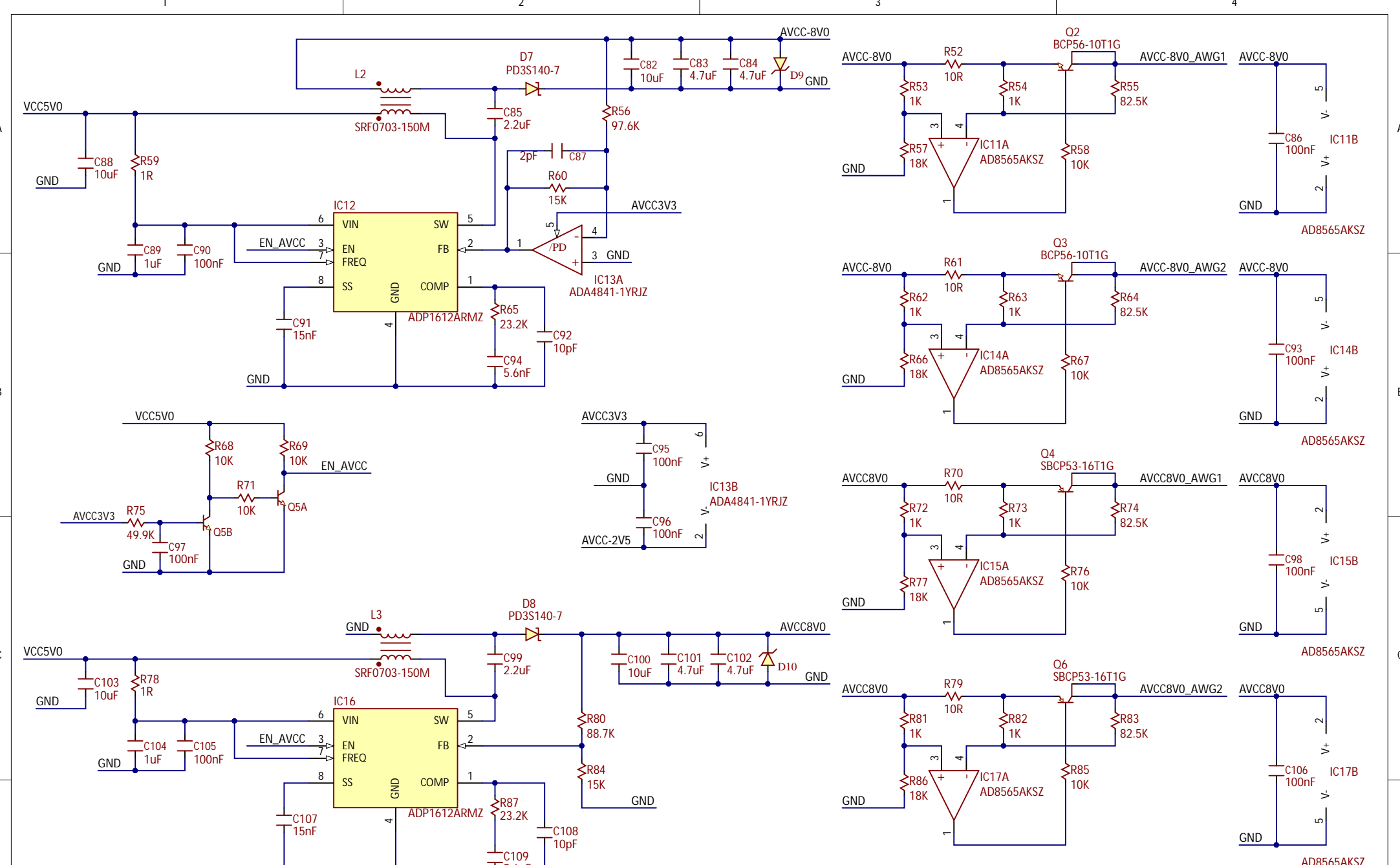


D

Title ZMOD AWG 1411		Rev C.1 Copyright 2021
Circuit AWG Channels 1, 2		
Doc# 500-397		
Engineer RV		
Author DG		
Date 07/20/2021		
Sheet# 6 out of 8		



Title ZMOD AWG 1411		Rev C.1 Copyright 2021
Circuit Analog Power Supplies		
Doc# 500-397		
Engineer RV		
Author DG		
Date 07/20/2021		
Sheet# 7 out of 8		



Title		Rev	
ZMOD AWG 1411		C.1	
Circuit		Copyright 2021	
Analog Power Supplies II			
Doc#	500-397		
Engineer	RV		
Author	DG		
Date	07/20/2021		
Sheet#	8 out of 8		



DIGILENT
A National Instruments Company