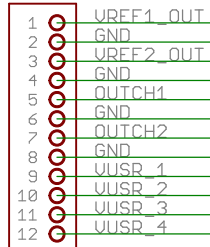
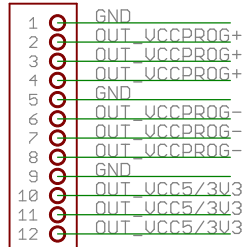


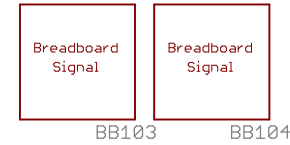
BB100



BB101

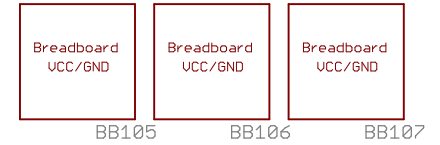


BB102



BB103

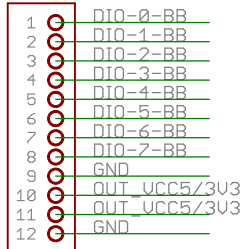
BB104



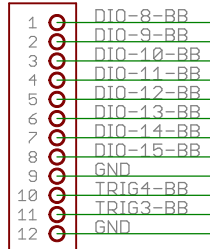
BB105

BB106

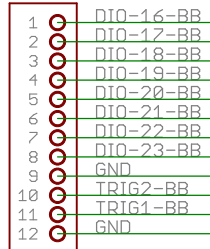
BB107



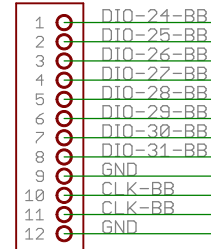
BB108



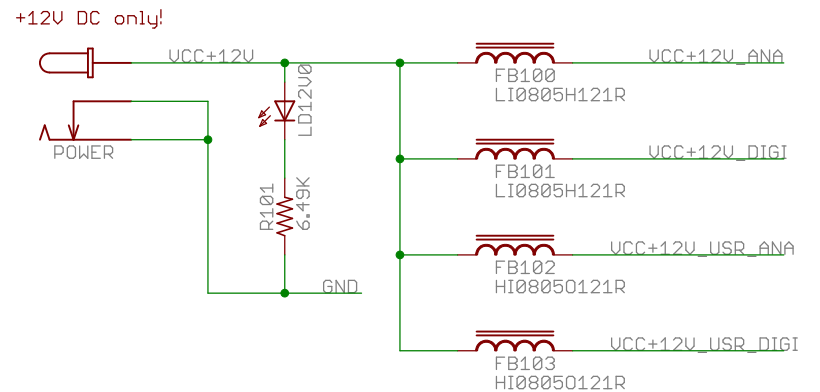
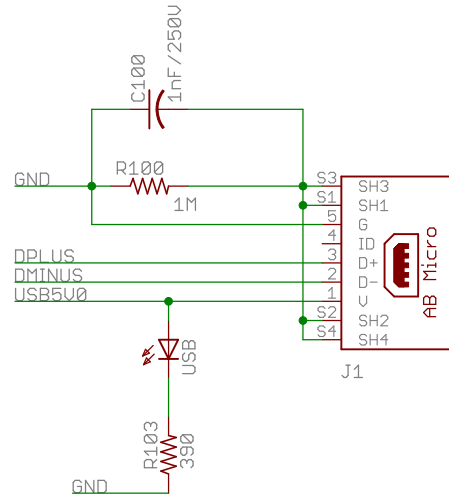
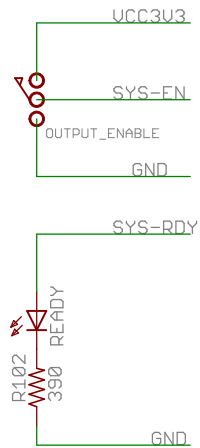
BB109

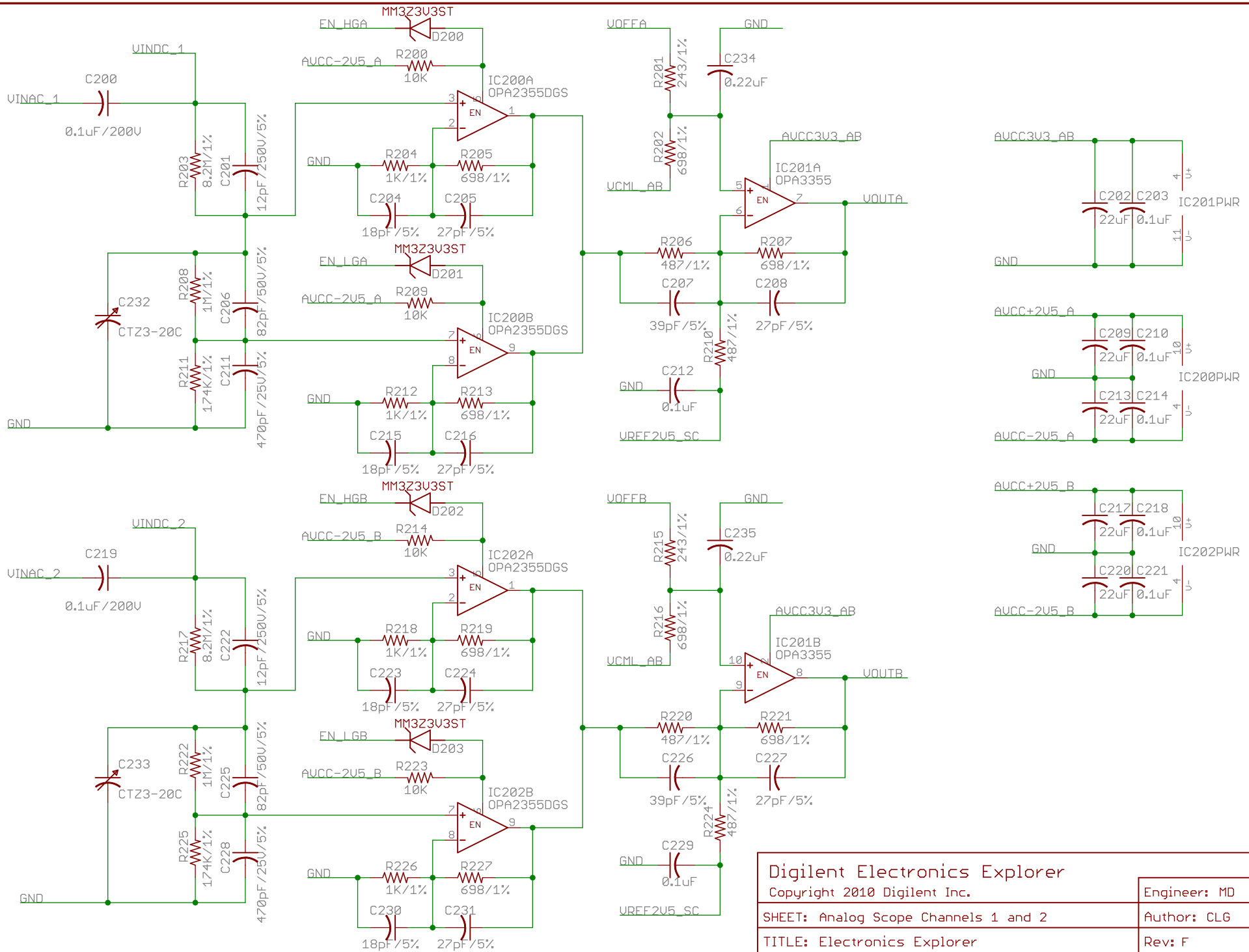


BB110

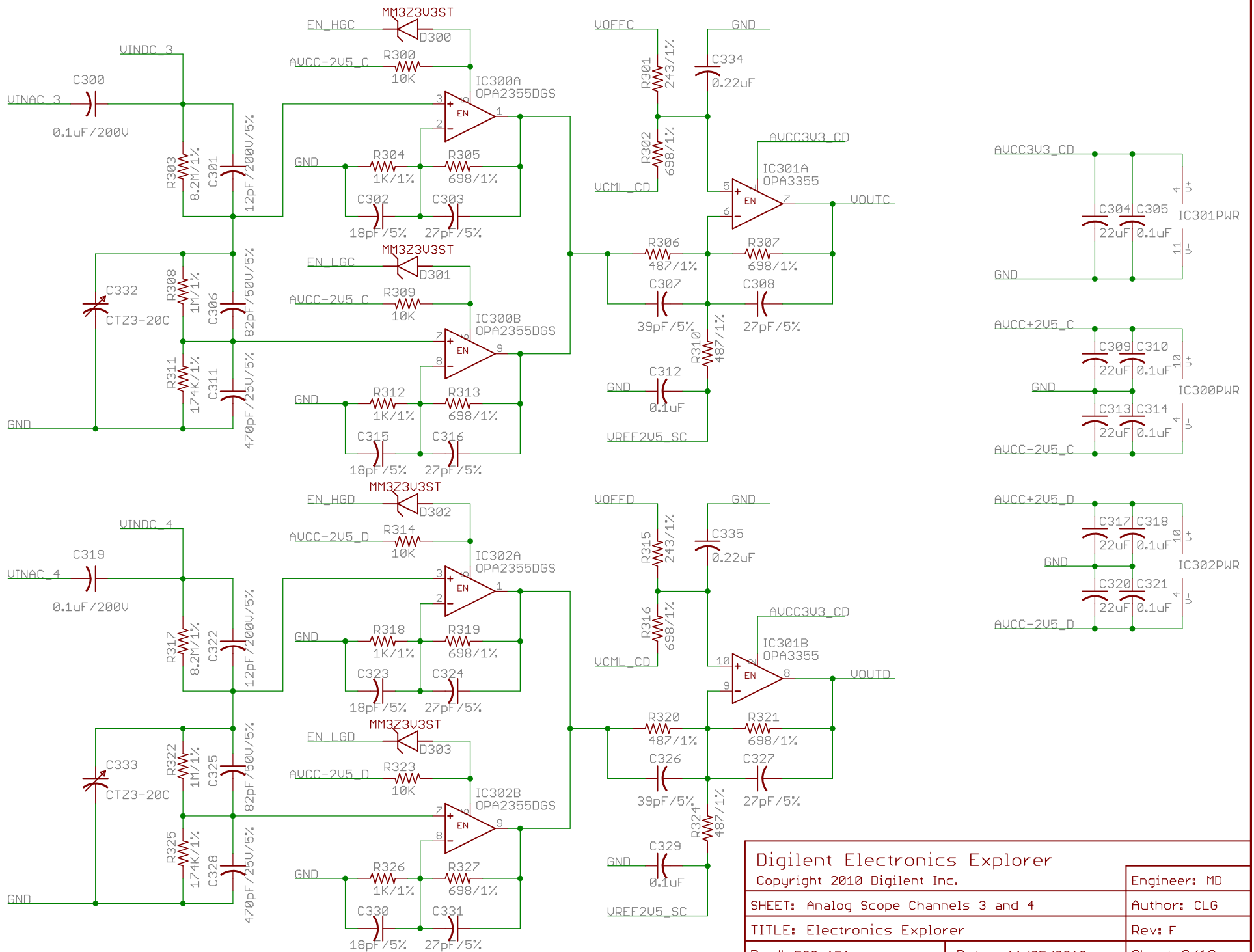


BB111

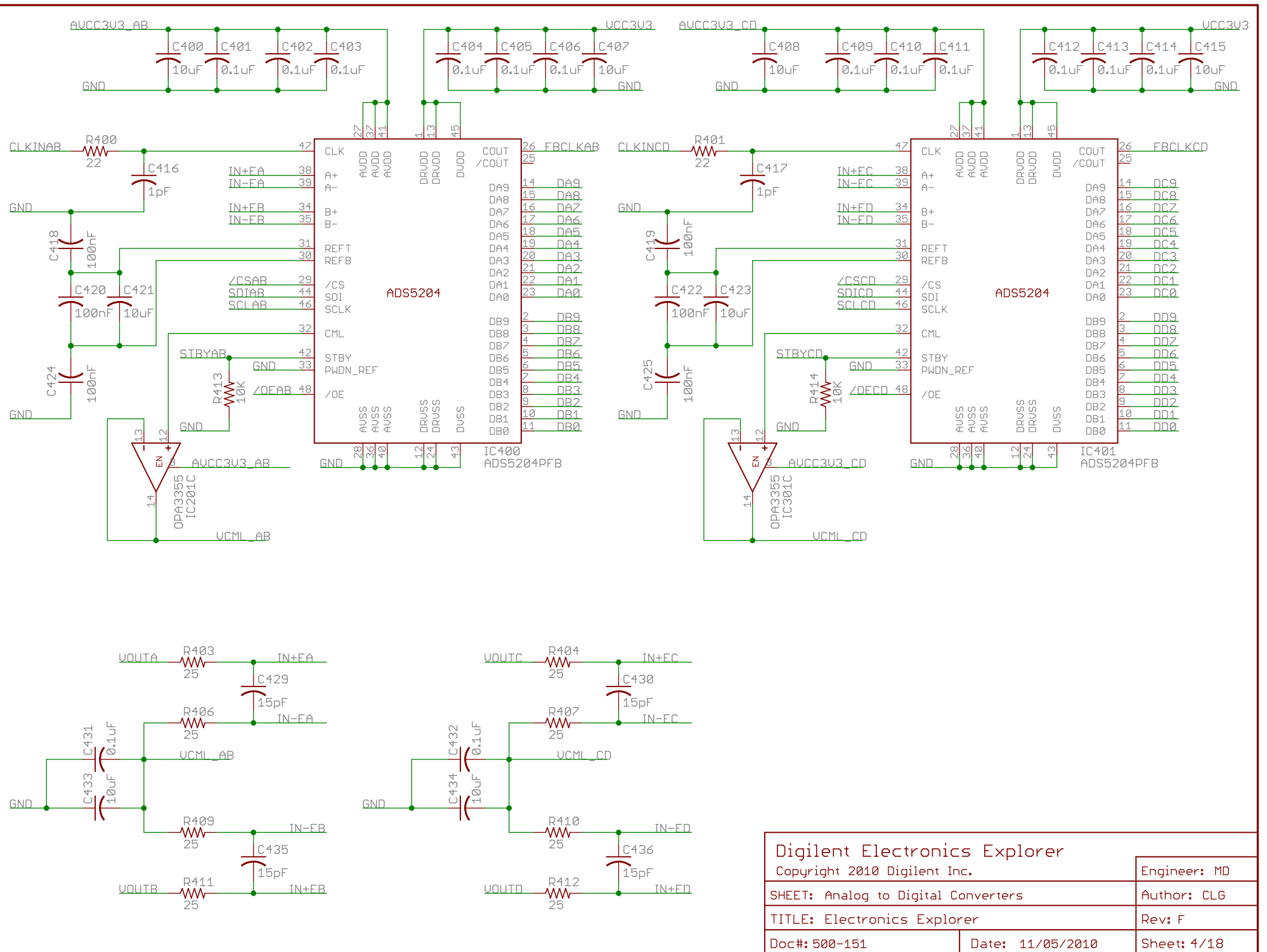




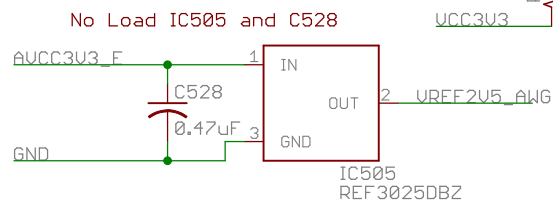
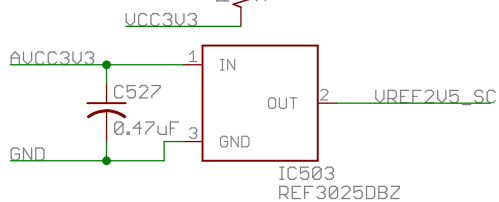
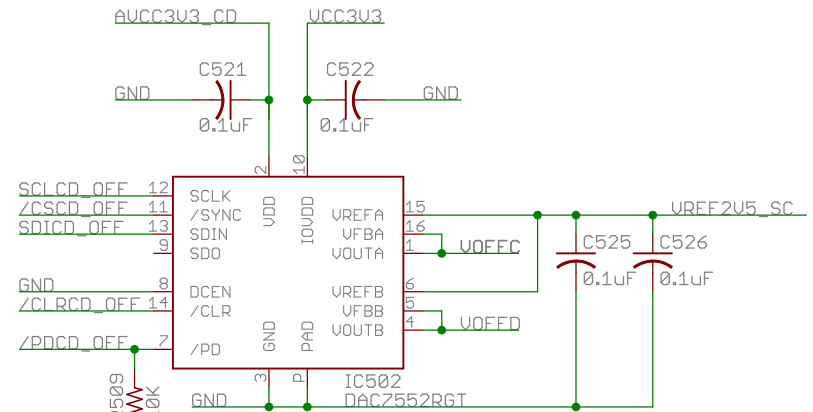
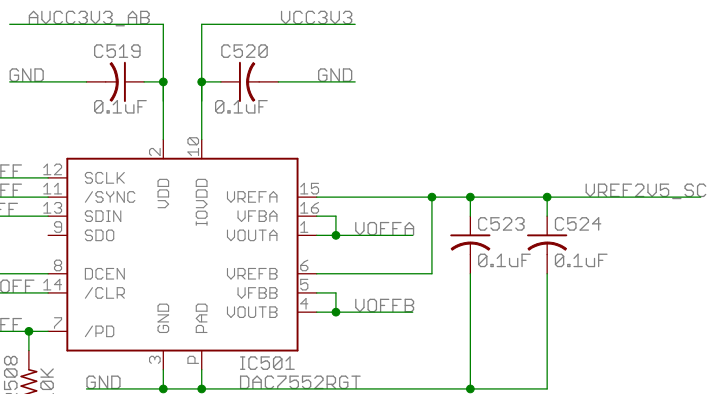
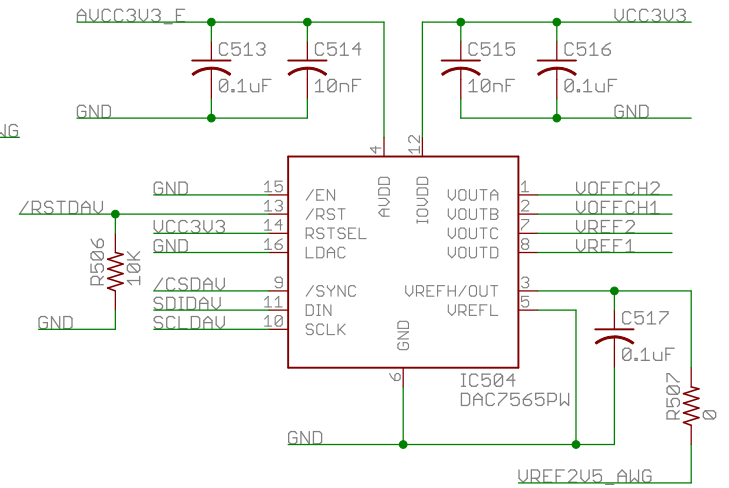
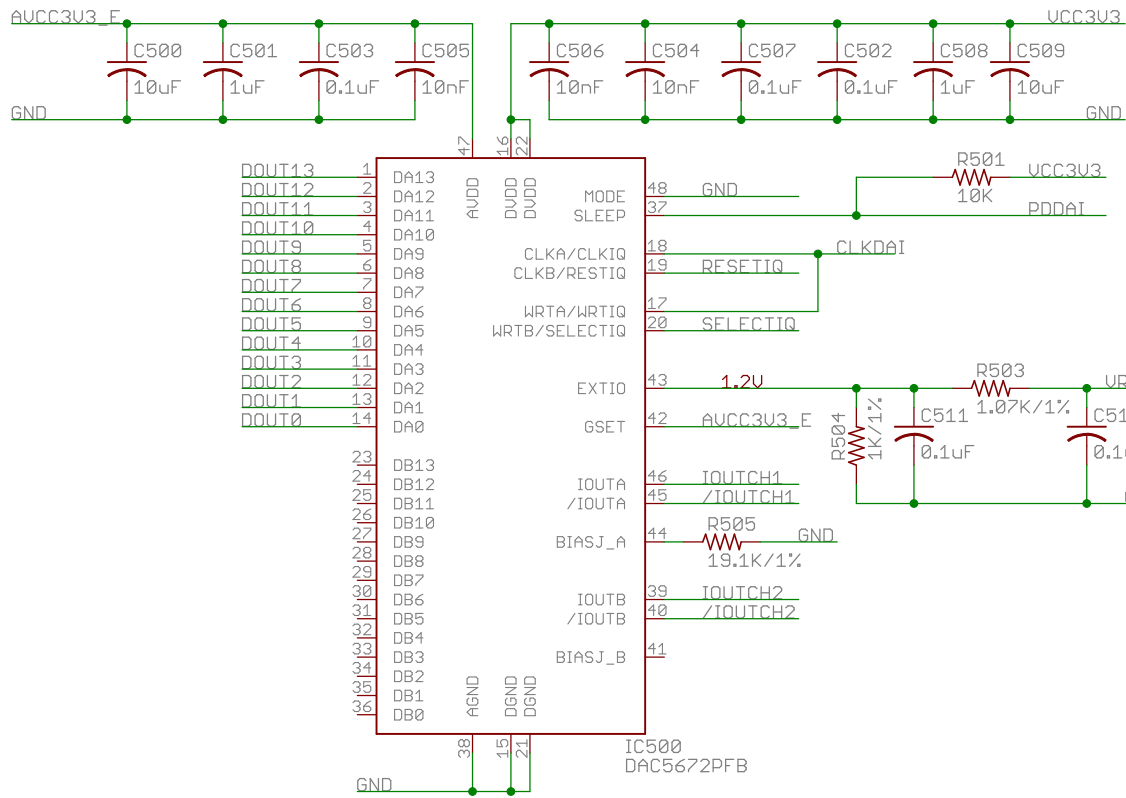
Digilent Electronics Explorer		Engineer: MD
Copyright 2010 Digilent Inc.		Author: CLG
SHEET: Analog Scope Channels 1 and 2		Rev: F
TITLE: Electronics Explorer		Doc#: 500-151
Date: 11/05/2010		Sheet: 2/18



Digilent Electronics Explorer		Engineer: MD
Copyright 2010 Digilent Inc.		Author: CLG
SHEET: Analog Scope Channels 3 and 4		Rev: F
TITLE: Electronics Explorer		Doc#: 500-151
Date: 11/05/2010		Sheet: 3/18



Digilent Electronics Explorer		Engineer: MD
Copyright 2010 Digilent Inc.		Author: CLG
SHEET: Analog to Digital Converters		Rev: F
TITLE: Electronics Explorer		Doc#: 500-151
Date: 11/05/2010		Sheet: 4/18



No Load IC505 and C528

Digilent Electronics Explorer

Copyright 2010 Digilent Inc.

Engineer: MD

SHEET: Digital to Analog Converters

Author: CLG

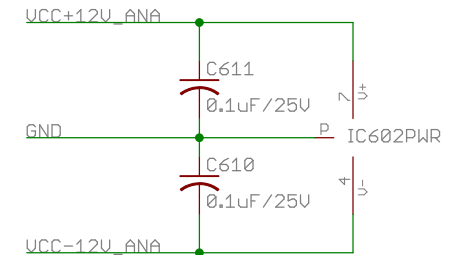
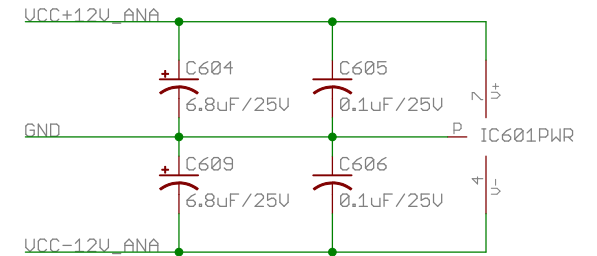
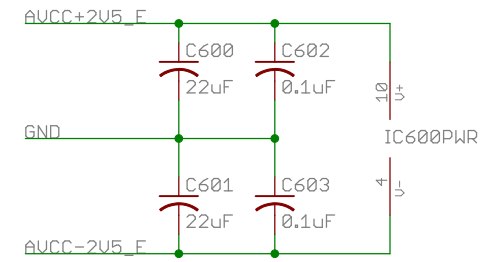
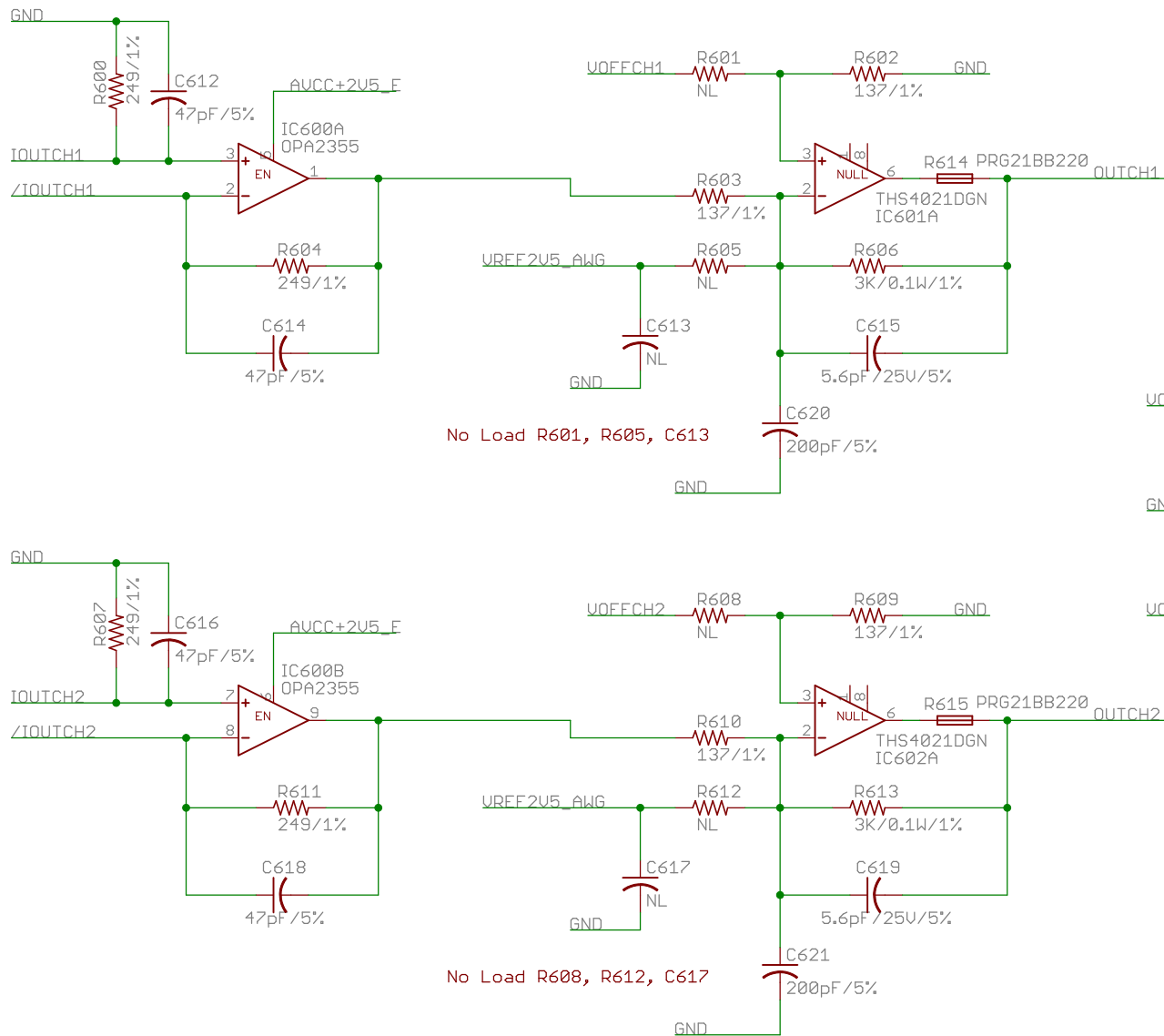
TITLE: Electronics Explorer

Rev: F

Doc#: 500-151

Date: 11/05/2010

Sheet: 5/18



Digilent Electronics Explorer

Copyright 2010 Digilent Inc.

Engineer: MD

SHEET: Arbitrary Waveform Generator - Output Stage

Author: CLG

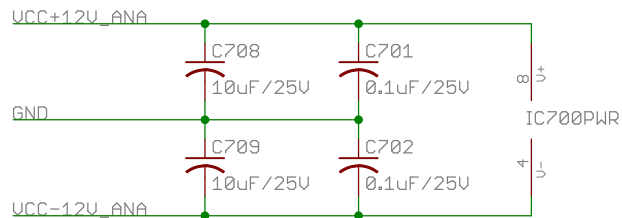
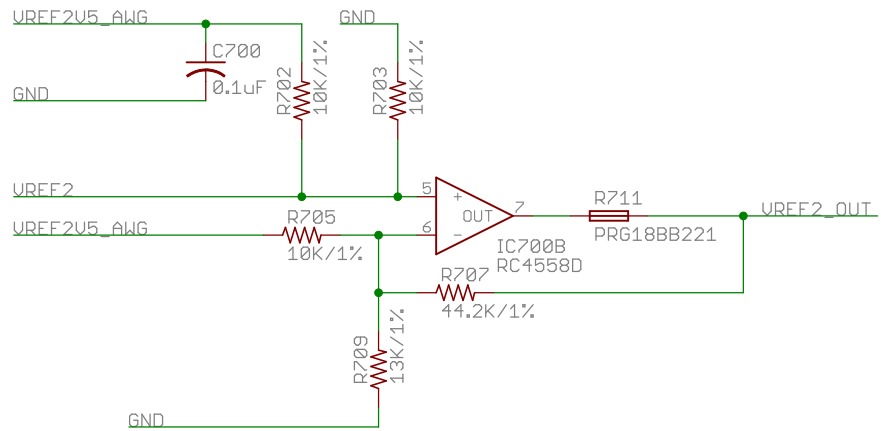
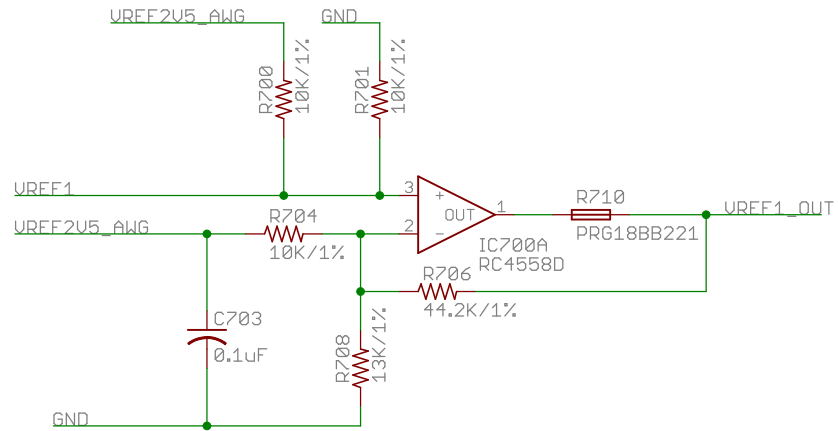
TITLE: Electronics Explorer

Rev: F

Doc#: 500-151

Date: 11/05/2010

Sheet: 6/18



Digilent Electronics Explorer

Copyright 2010 Digilent Inc.

Engineer: MD

SHEET: Voltage References for User

Author: CLG

TITLE: Electronics Explorer

Rev: F

Doc#: 500-151

Date: 11/05/2010

Sheet: 7/18

DIO-0-BB R813 DIO-0
PRG18BB221

DIO-1-BB R816 DIO-1
PRG18BB221

DIO-2-BB R808 DIO-2
PRG18BB221

DIO-3-BB R810 DIO-3
PRG18BB221

DIO-4-BB R804 DIO-4
PRG18BB221

DIO-5-BB R806 DIO-5
PRG18BB221

DIO-6-BB R800 DIO-6
PRG18BB221

DIO-7-BB R802 DIO-7
PRG18BB221

DIO-8-BB R819 DIO-8
PRG18BB221

DIO-9-BB R822 DIO-9
PRG18BB221

DIO-10-BB R825 DIO-10
PRG18BB221

DIO-11-BB R827 DIO-11
PRG18BB221

DIO-12-BB R829 DIO-12
PRG18BB221

DIO-13-BB R831 DIO-13
PRG18BB221

DIO-14-BB R833 DIO-14
PRG18BB221

DIO-15-BB R835 DIO-15
PRG18BB221

DIO-16-BB R801 DIO-16
PRG18BB221

DIO-17-BB R803 DIO-17
PRG18BB221

DIO-18-BB R805 DIO-18
PRG18BB221

DIO-19-BB R807 DIO-19
PRG18BB221

DIO-20-BB R809 DIO-20
PRG18BB221

DIO-21-BB R811 DIO-21
PRG18BB221

DIO-22-BB R814 DIO-22
PRG18BB221

DIO-23-BB R817 DIO-23
PRG18BB221

DIO-24-BB R820 DIO-24
PRG18BB221

DIO-25-BB R823 DIO-25
PRG18BB221

DIO-26-BB R826 DIO-26
PRG18BB221

DIO-27-BB R828 DIO-27
PRG18BB221

DIO-28-BB R830 DIO-28
PRG18BB221

DIO-29-BB R832 DIO-29
PRG18BB221

DIO-30-BB R834 DIO-30
PRG18BB221

DIO-31-BB R836 DIO-31
PRG18BB221

CLK-BB R812 CLK
PRG18BB221

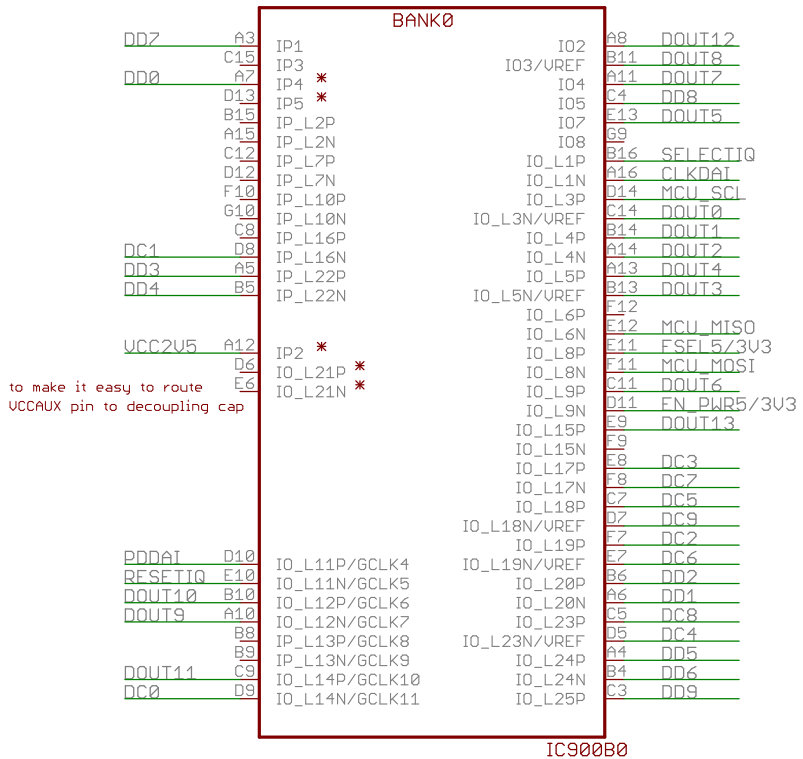
TRIG1-BB R821 TRIG1
PRG18BB221

TRIG2-BB R824 TRIG2
PRG18BB221

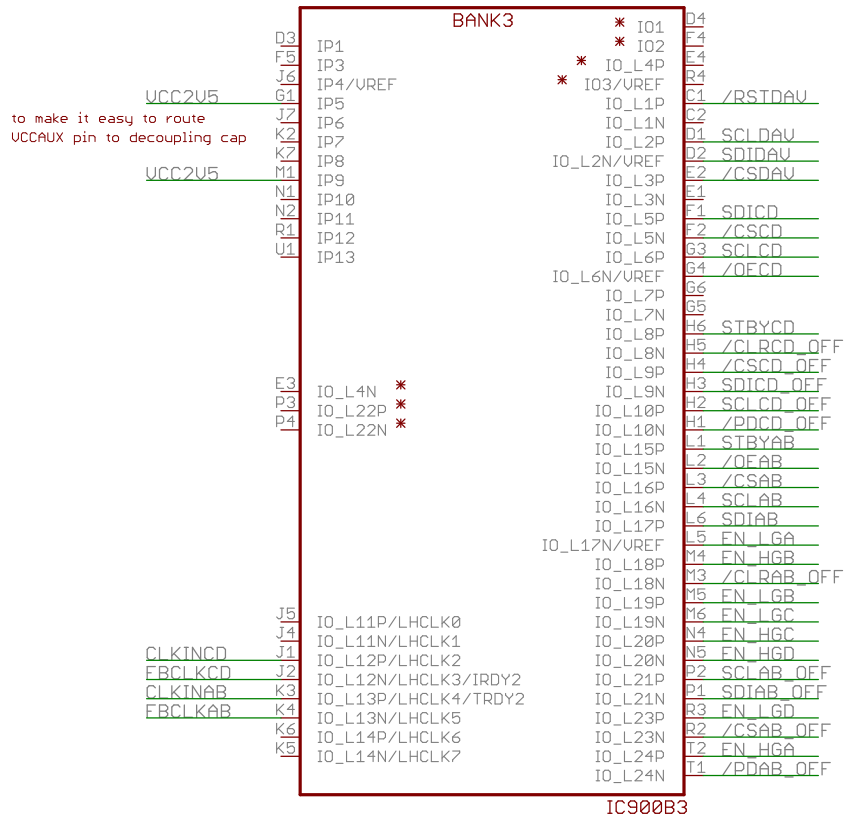
TRIG3-BB R818 TRIG3
PRG18BB221

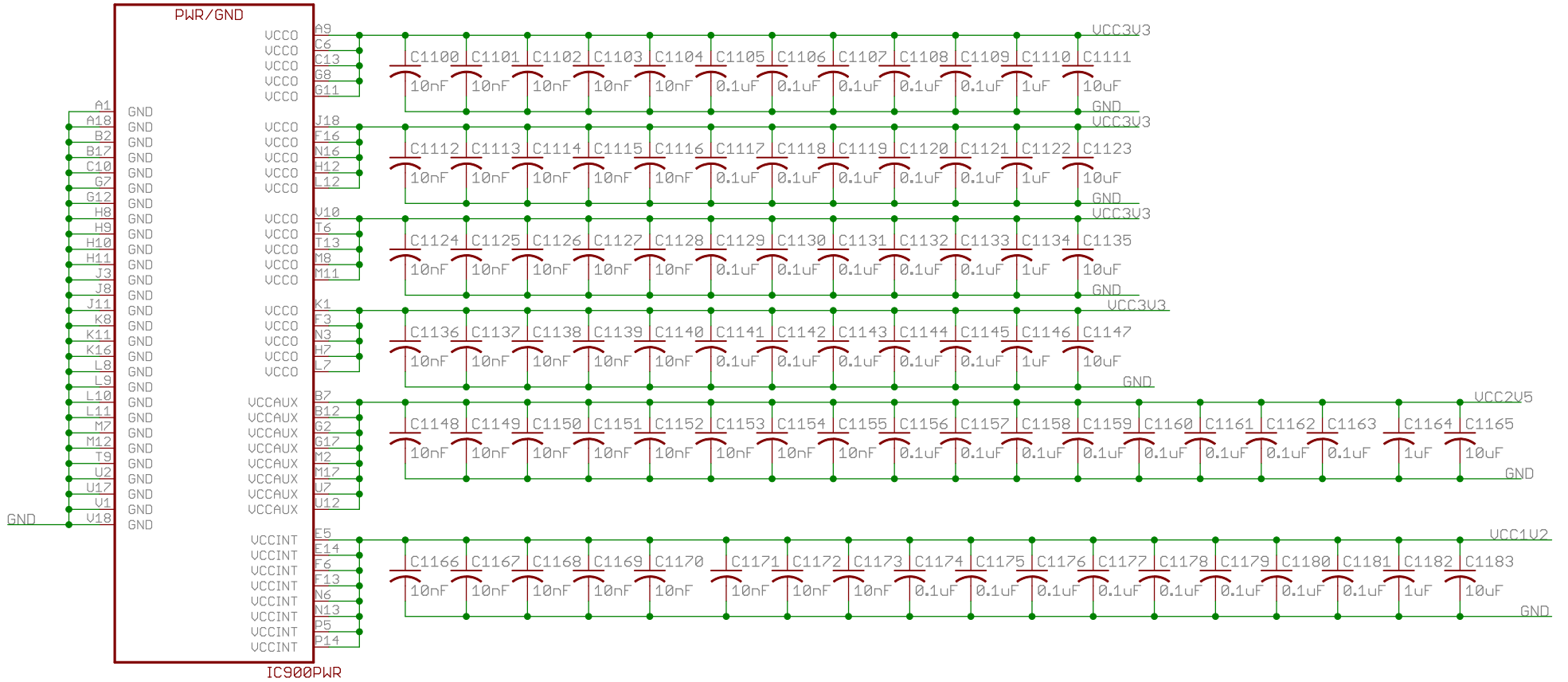
TRIG4-BB R815 TRIG4
PRG18BB221

Digilent Electronics Explorer		Engineer: MD
Copyright 2010 Digilent Inc.		Author: CLG
SHEET: Digital Inputs / Outputs		Rev: F
TITLE: Electronics Explorer		Doc#: 500-151
Date: 11/05/2010	Sheet: 8/18	

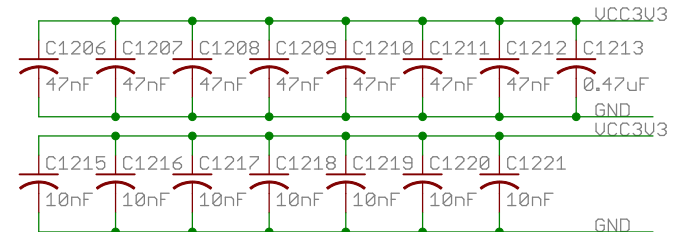
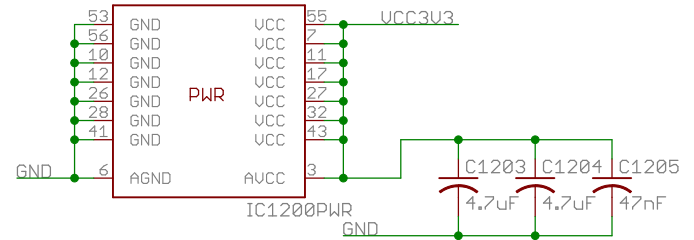
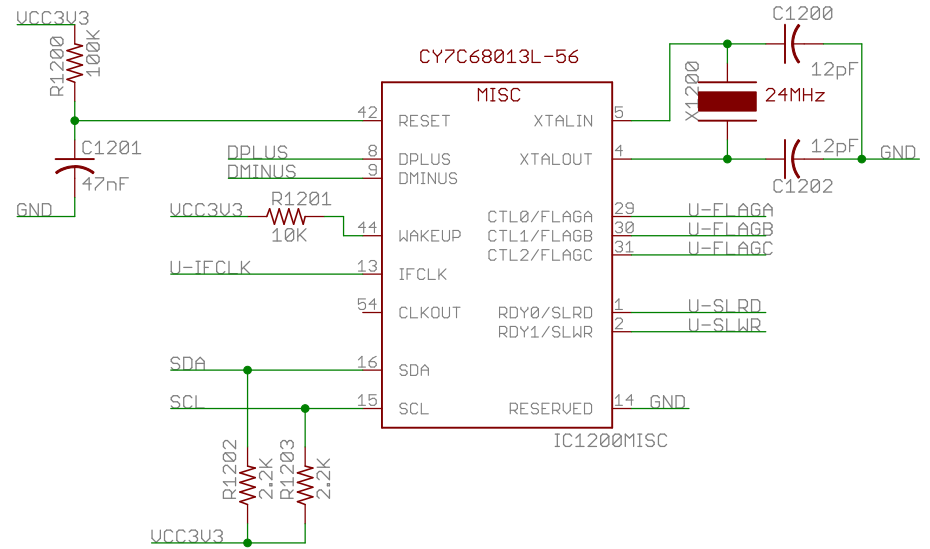
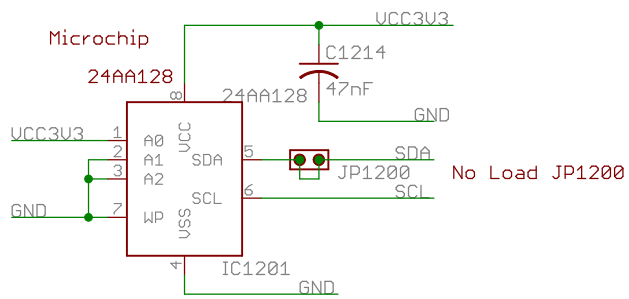
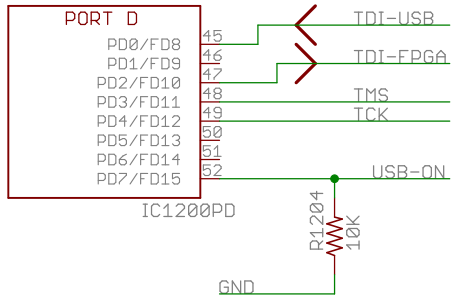
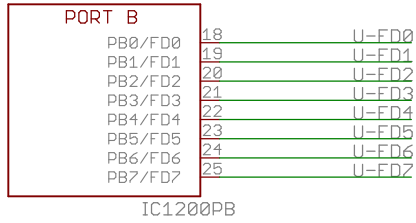
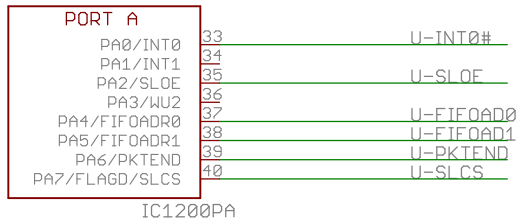


to make it easy to route
UCCAUX pin to decoupling cap





Digilent Electronics Explorer		Engineer: MD
Copyright 2010 Digilent Inc.		Author: CLG
SHEET: FPGA Power Supply		Rev: F
TITLE: Electronics Explorer		Doc#: 500-151
Date: 11/05/2010	Sheet: 11/18	



Digilent Electronics Explorer

Copyright 2010 Digilent Inc.

Engineer: MD

SHEET: Digilent USB

Author: CLG

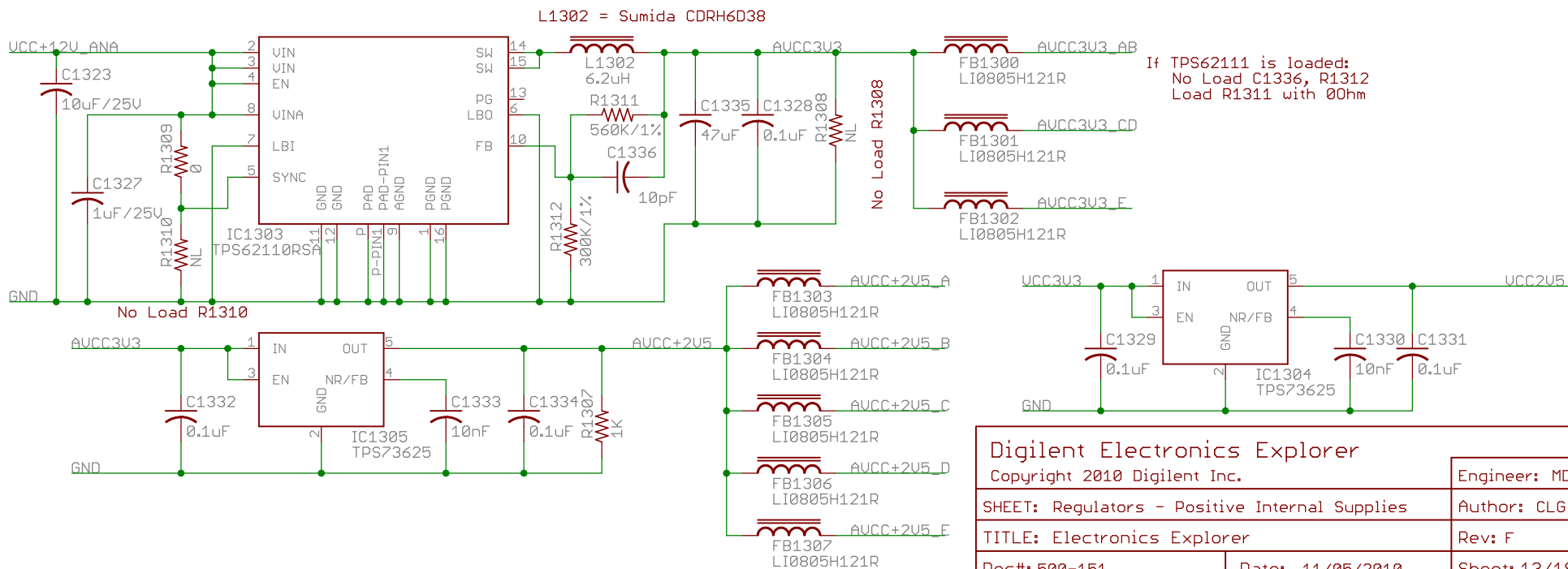
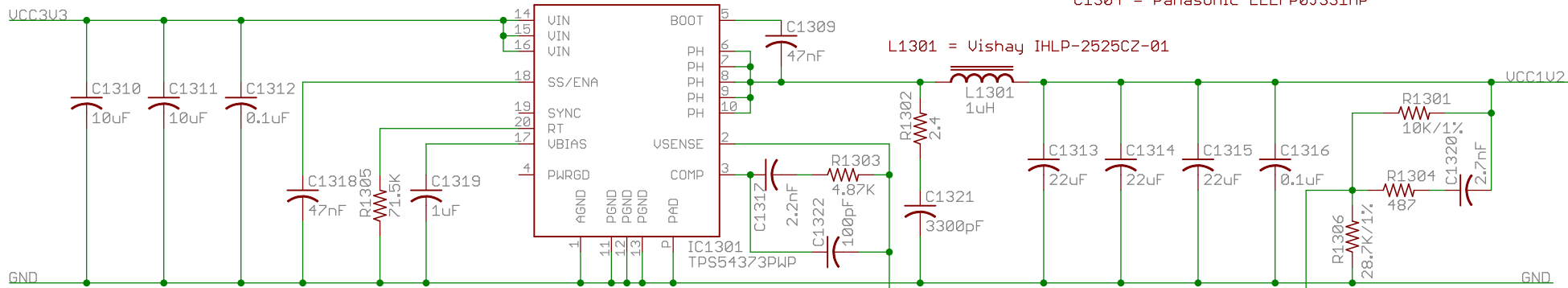
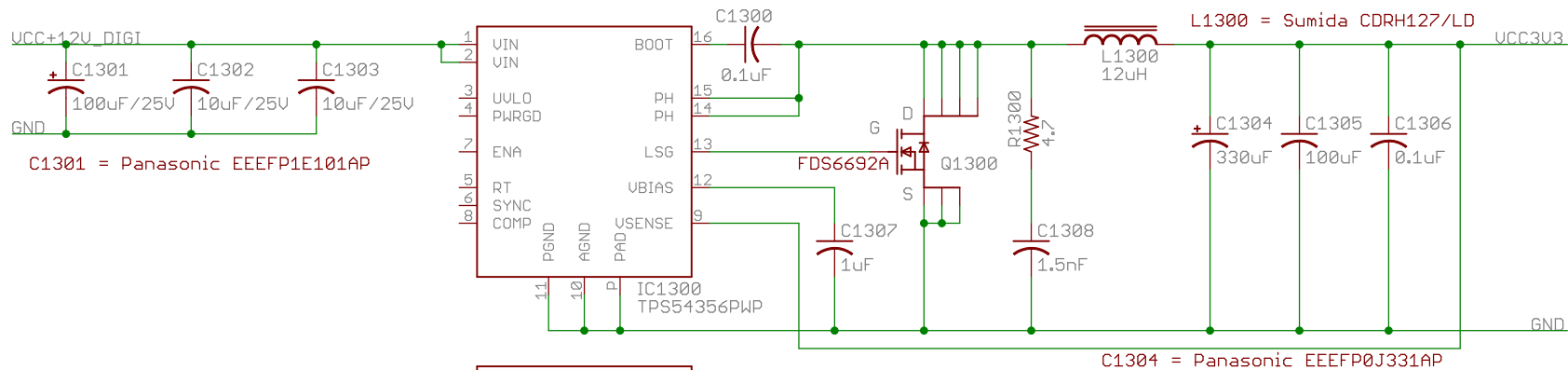
TITLE: Electronics Explorer

Rev: F

Doc#: 500-151

Date: 11/05/2010

Sheet: 12/18



Digilent Electronics Explorer

Copyright 2010 Digilent Inc.

Engineer: MD

SHEET: Regulators - Positive Internal Supplies

Author: CLG

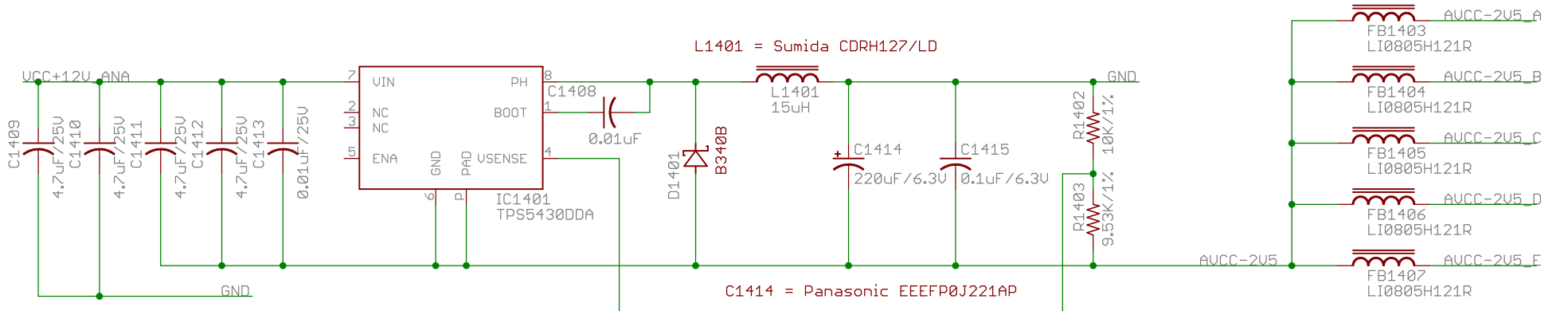
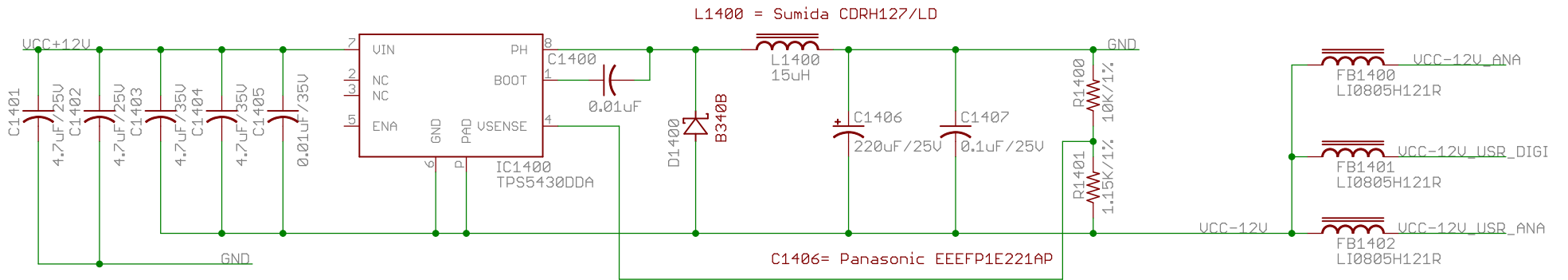
TITLE: Electronics Explorer

Rev: F

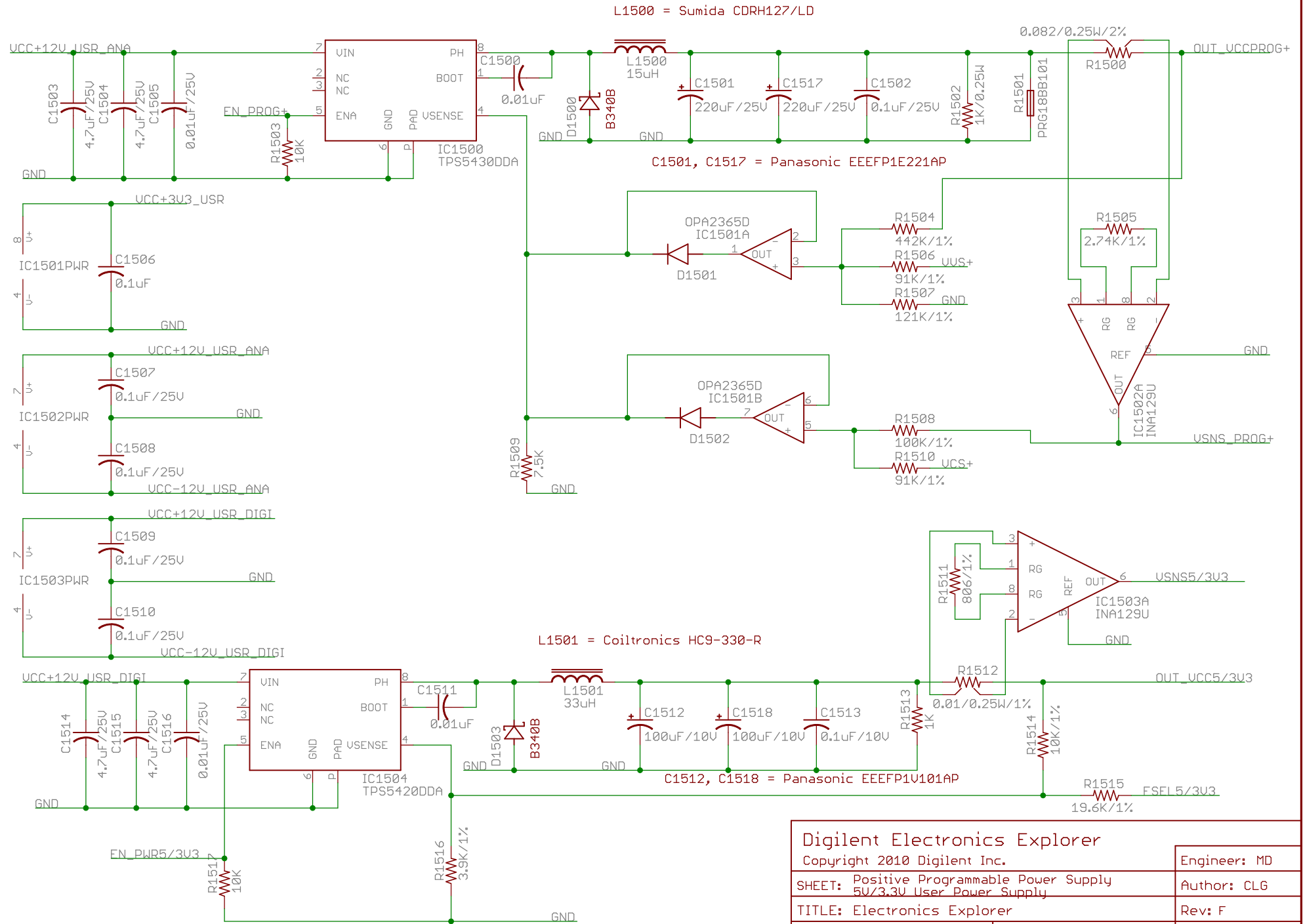
Doc#: 500-151

Date: 11/05/2010

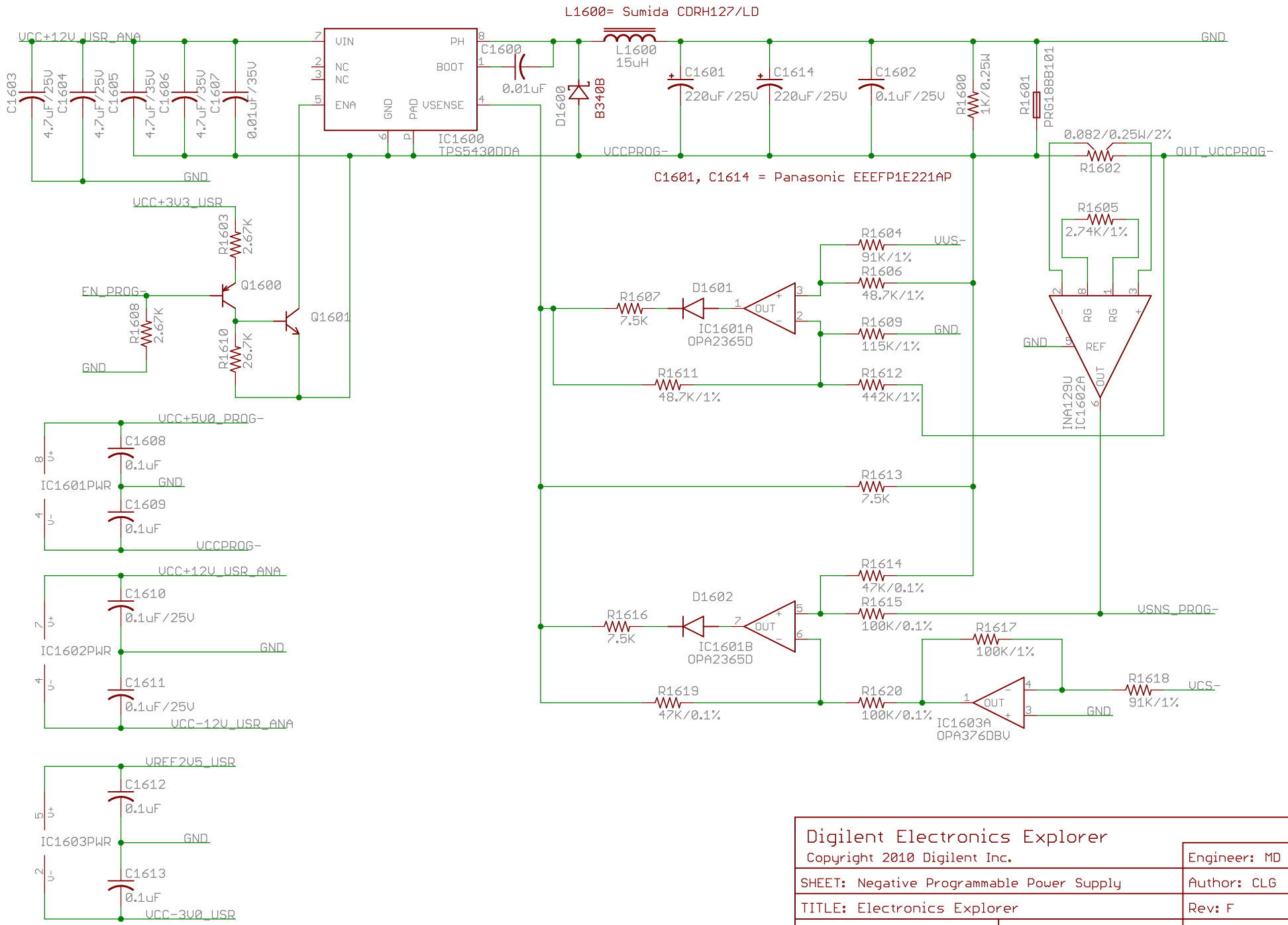
Sheet: 13/18



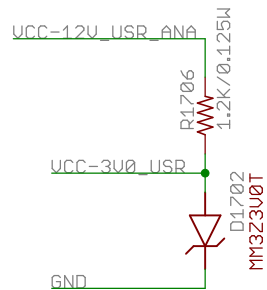
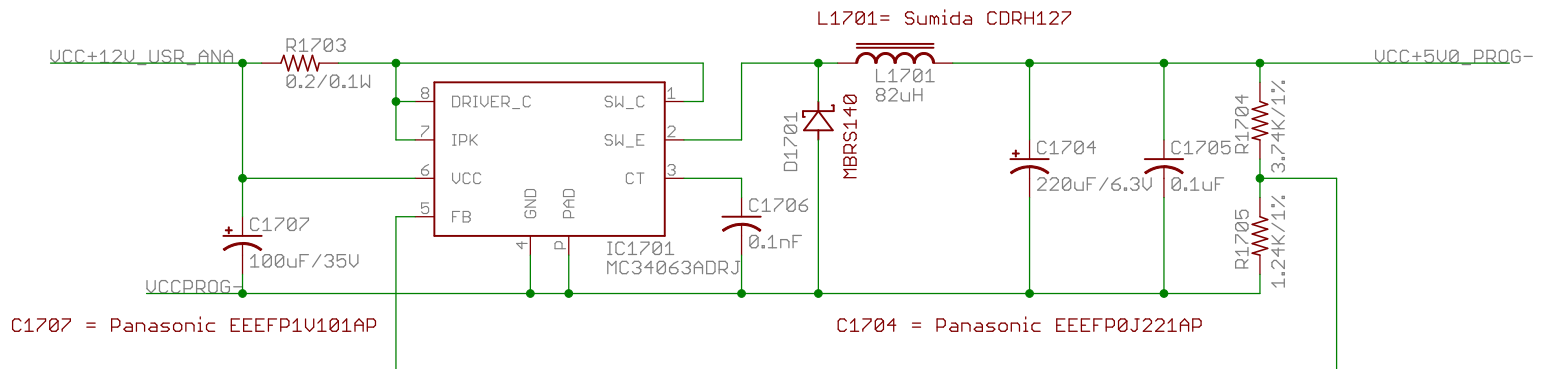
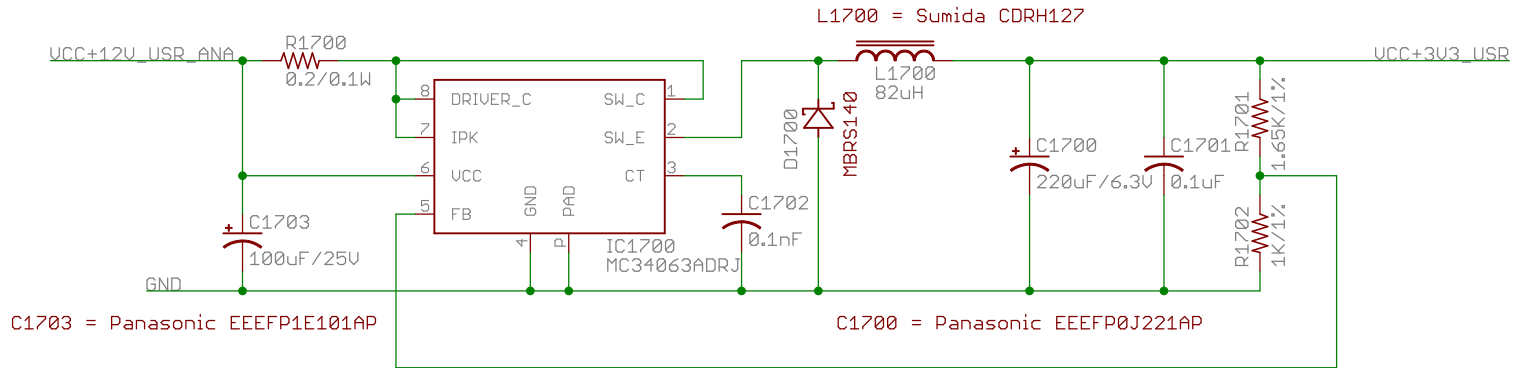
Digilent Electronics Explorer		Engineer: MD
Copyright 2010 Digilent Inc.		Author: CLG
SHEET: Regulators - Negative Internal Supplies		Rev: F
TITLE: Electronics Explorer		Doc#: 500-151
Date: 11/05/2010	Sheet: 14/18	



Digilent Electronics Explorer		Engineer: MD
Copyright 2010 Digilent Inc.		Author: CLG
SHEET: Positive Programmable Power Supply 5U/3.3V User Power Supply		Rev: F
TITLE: Electronics Explorer		Doc#: 500-151
Date: 11/05/2010		Sheet: 15/18



Digilent Electronics Explorer Copyright 2010 Digilent Inc.		Engineer: MD
SHEET: Negative Programmable Power Supply		Author: CLG
TITLE: Electronics Explorer		Rev: F
Doc#: 500-151	Date: 11/05/2010	Sheet: 16/18



Digilent Electronics Explorer

Copyright 2010 Digilent Inc.

Engineer: MD

SHEET: Regulators - Internal Supplies

Author: CLG

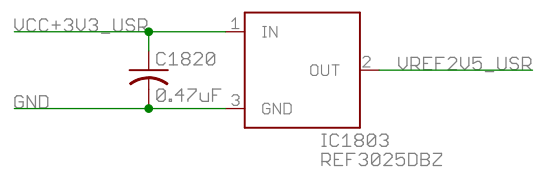
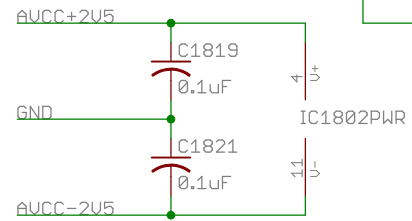
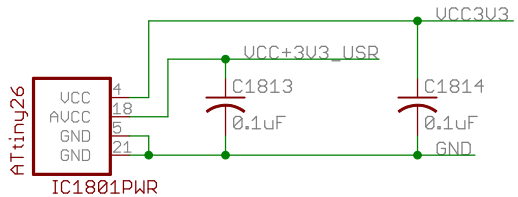
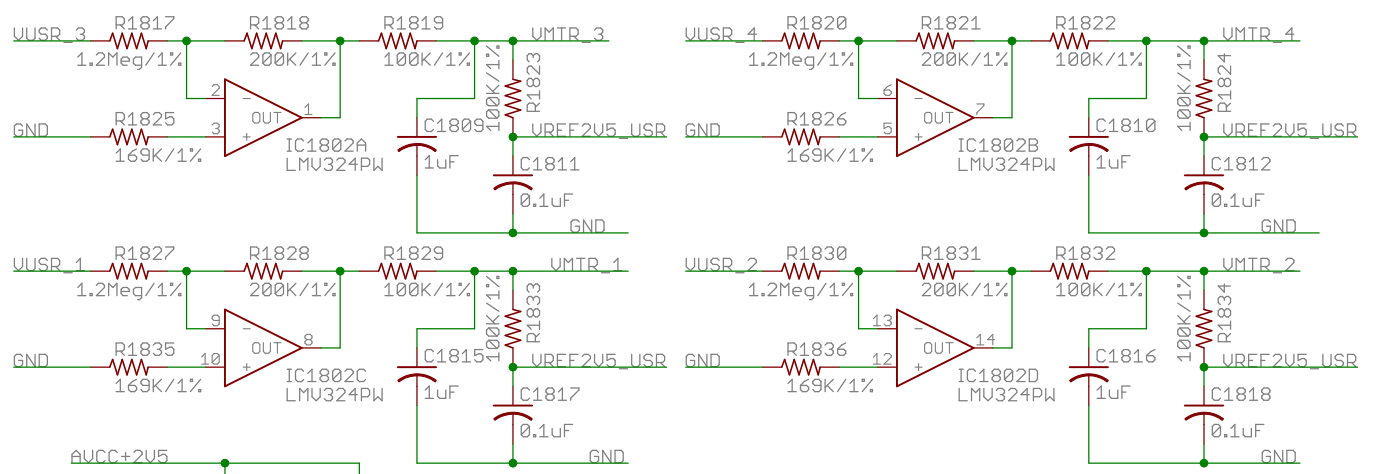
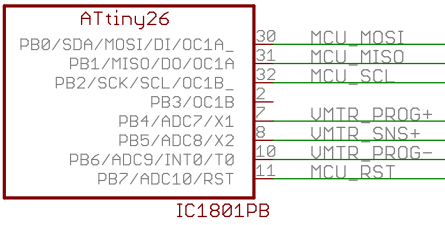
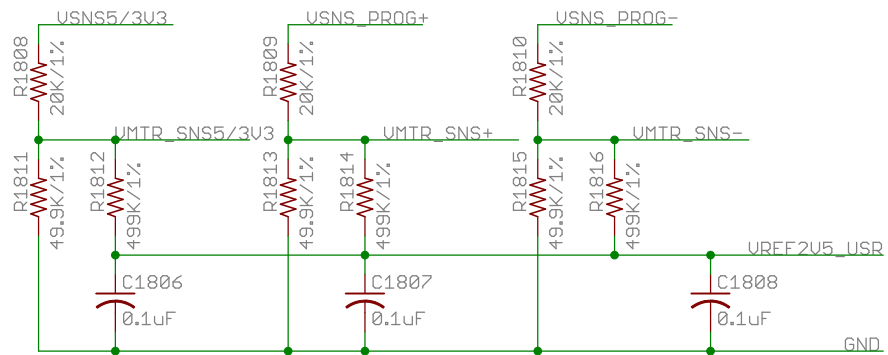
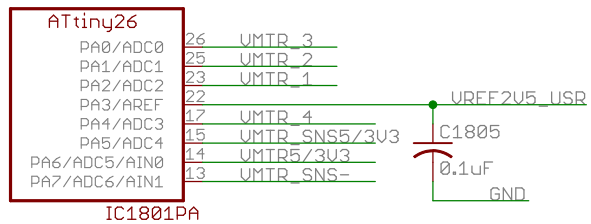
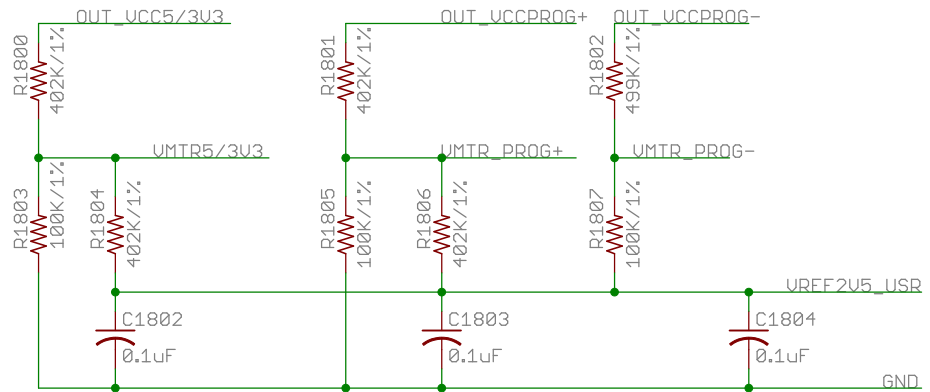
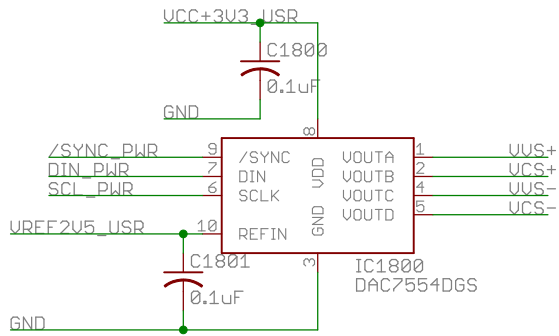
TITLE: Electronics Explorer

Rev: F

Doc#: 500-151

Date: 11/05/2010

Sheet: 17/18



Digilent Electronics Explorer		Engineer: MD
Copyright 2010 Digilent Inc.		Author: CLG
SHEET: AVR Microcontroller Voltmeter		Rev: F
TITLE: Electronics Explorer		Doc#: 500-151
Date: 11/05/2010		Sheet: 18/18