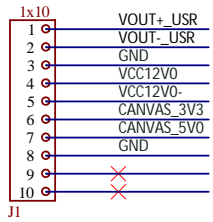
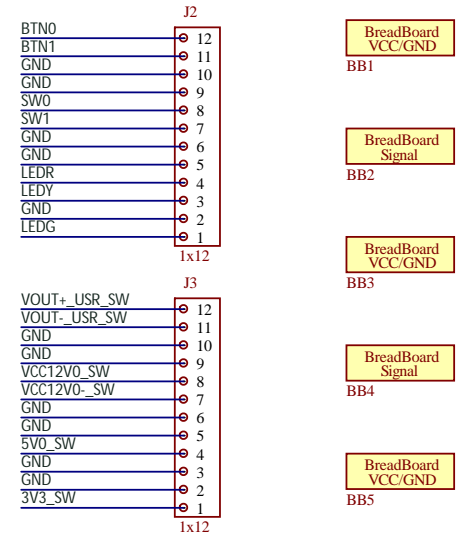


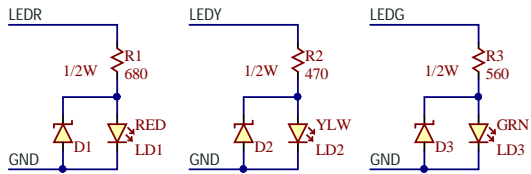
ANALOG DISCOVERY STUDIO INPUTS



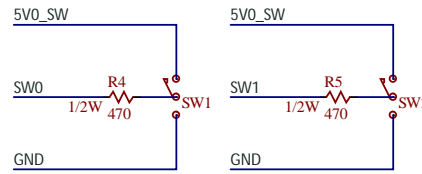
BREADBOARDS



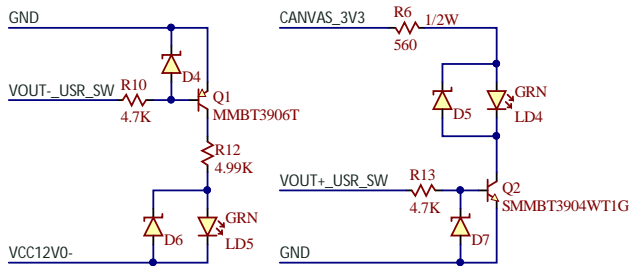
USER LEDES



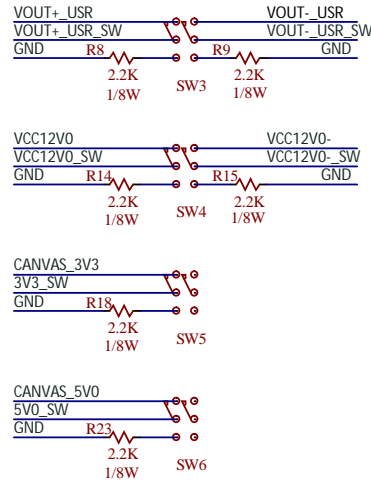
USER SWITCHES



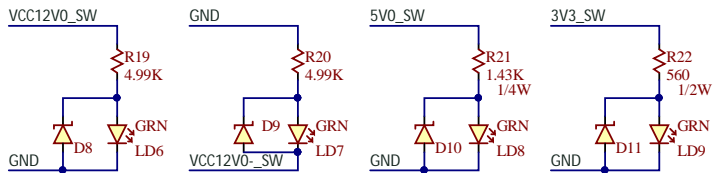
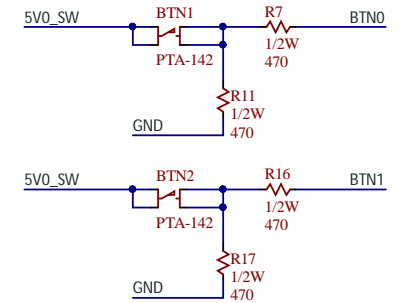
POWER LEDES



POWER SWITCHES



USER BUTTONS



Title Breadboard Canvas		Rev C.0 Copyright 2019
Circuit Main		
Doc# 500-385		
Engineer MTA		
Author GMA		
Date 2/26/2019		
Sheet# 1 out of 1		