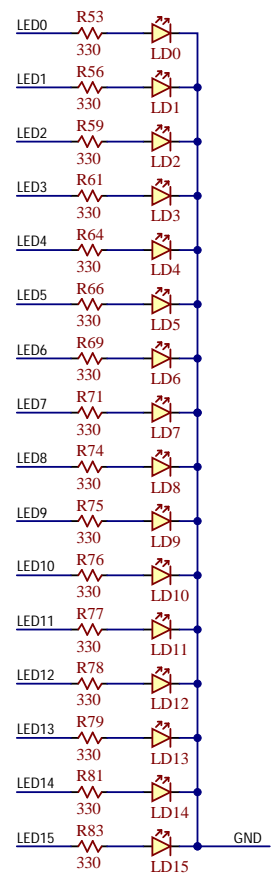
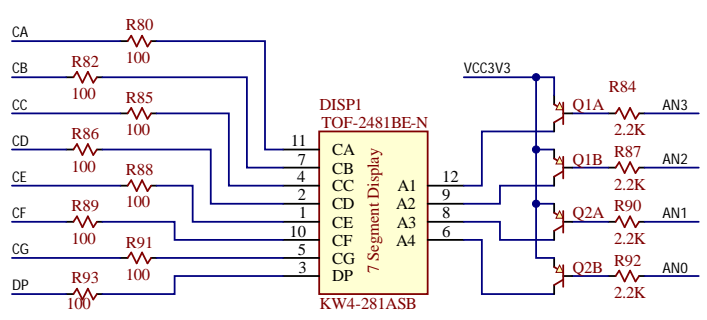
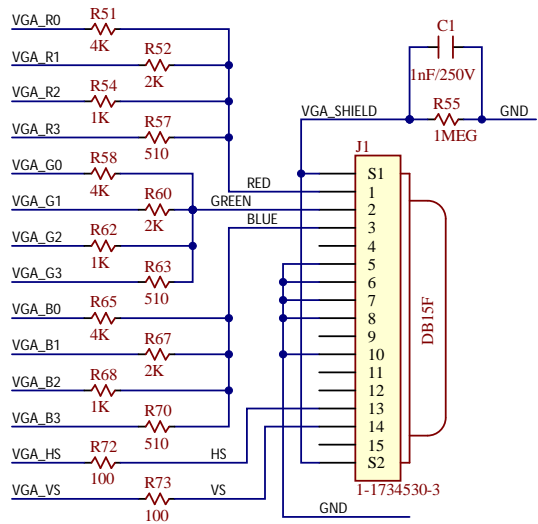


- F1 Foot
- F2 Foot
- F3 Foot
- F4 Foot

Title Basys 3		Rev D.1
Circuit PMOD, I/O		
Doc# 500-183		
Engineer MTA		
Author GMA		
Date 2/5/2021		
Sheet# 1 out of 8		

DIGILENT[®]

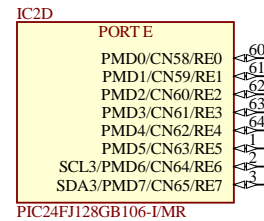
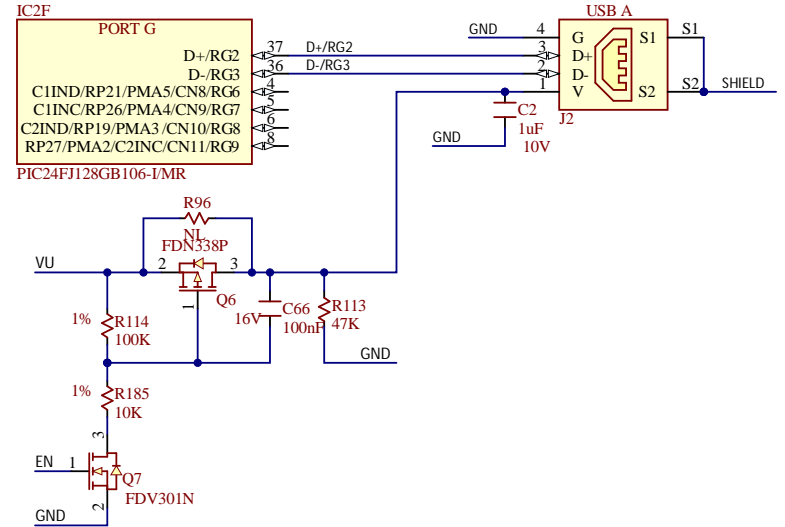
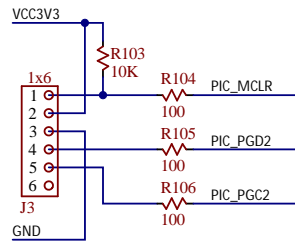
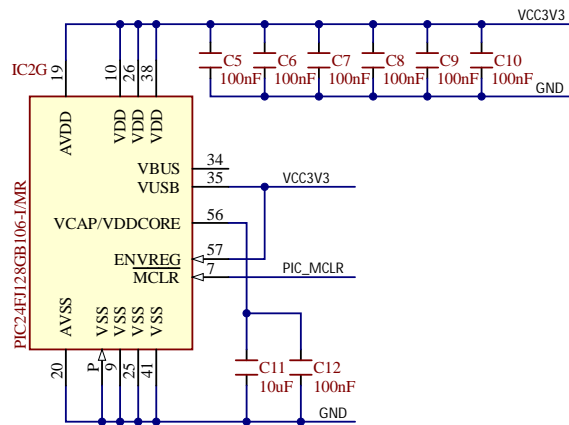
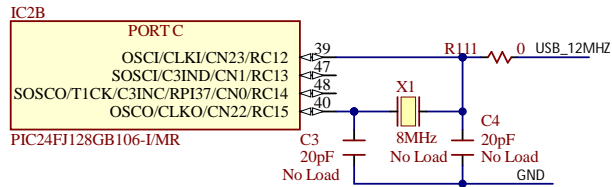
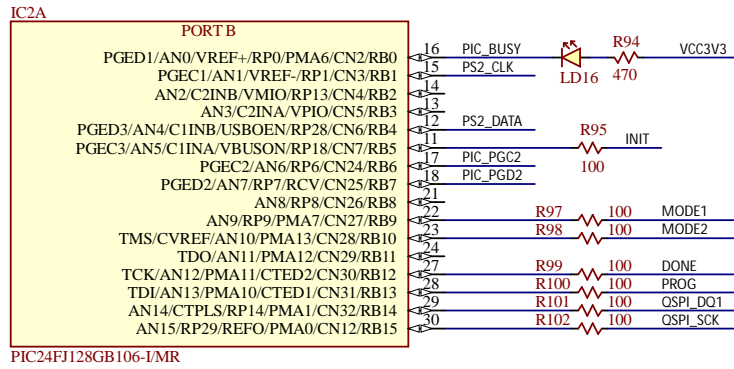
Copyright 2021



Title		Rev
Basys 3		D.1
Circuit		
7 SEG, VGA, LEDs		
Doc#	500-183	
Engineer	MTA	
Author	GMA	
Date	2/5/2021	
Sheet#	2 out of 8	



Copyright 2021



Title		Rev
Basys 3		D.1
Circuit		
USB HID		
Doc#	500-183	
Engineer	MTA	
Author	GMA	
Date	2/5/2021	
Sheet#	3 out of 8	
		Copyright 2021

1

2

3

4

A

A

B

B

C

C

D

D

This page left intentionally blank.

Title		Rev	
Basys 3		D.1	
Circuit			
USB PROG/UART			
Doc#	500-183		
Engineer	MTA		
Author	GMA		
Date	2/5/2021		
Sheet#	4	out of	8



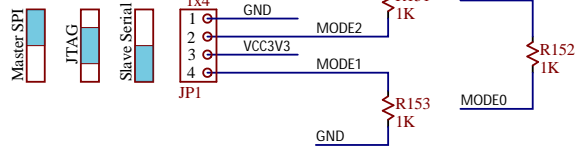
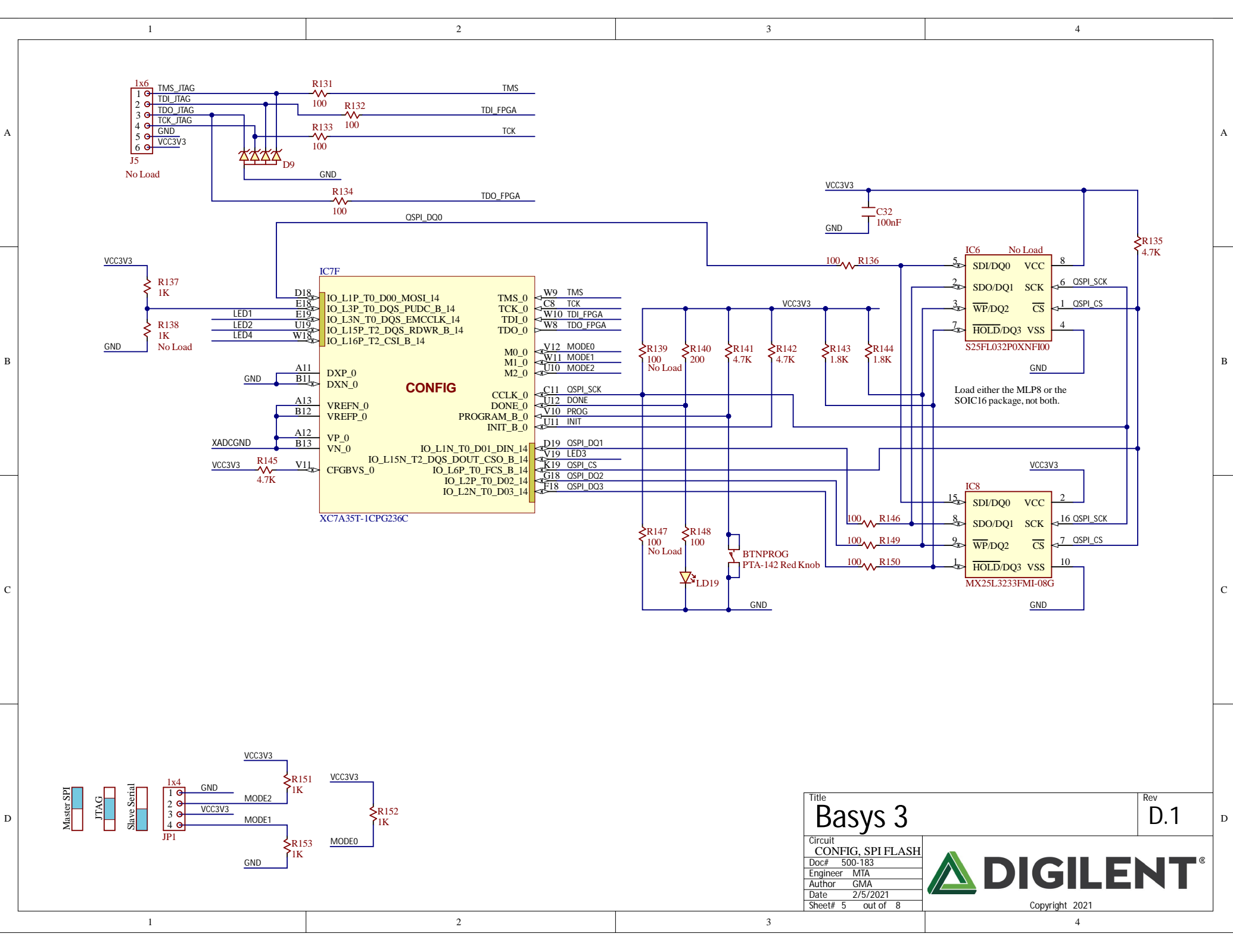
Copyright 2021

1

2

3

4



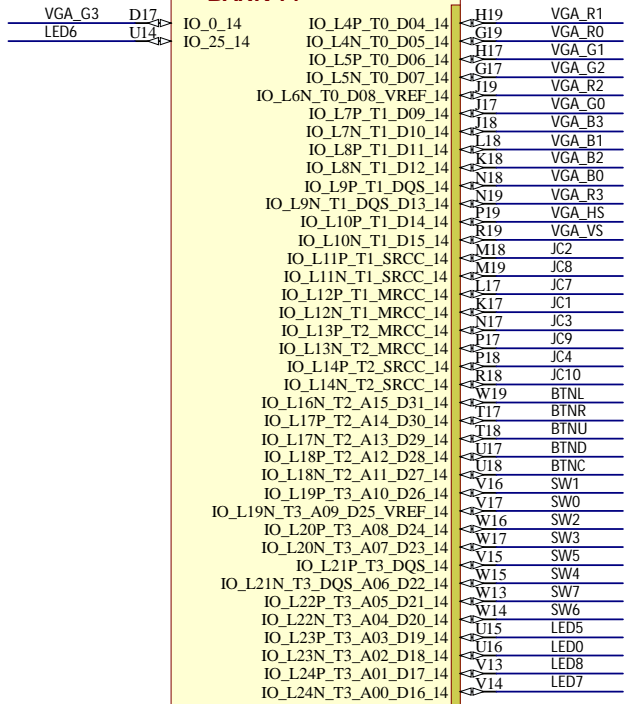
Title		Rev
Basy3 3		D.1
Circuit		
CONFIG, SPI FLASH		
Doc#	500-183	
Engineer	MTA	
Author	GMA	
Date	2/5/2021	
Sheet#	5 out of 8	



Copyright 2021

IC7A

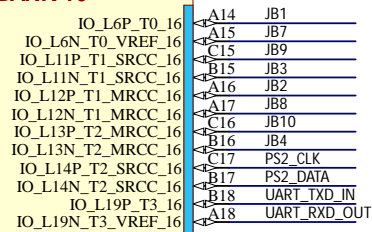
BANK 14



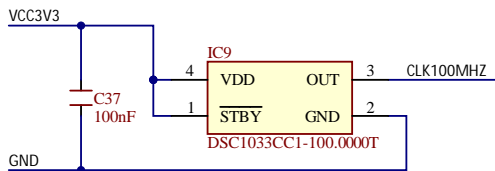
XC7A35T-ICPG236C

IC7B

BANK 16

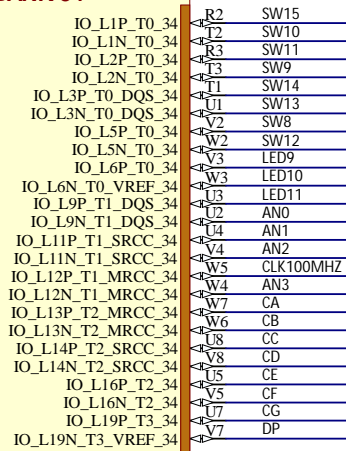


XC7A35T-ICPG236C



IC7C

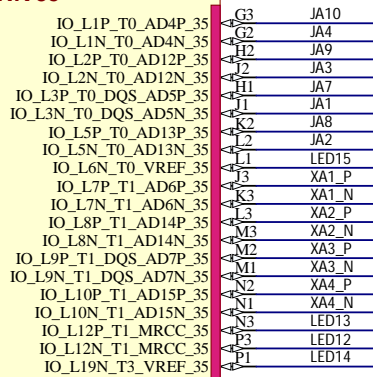
BANK 34



XC7A35T-ICPG236C

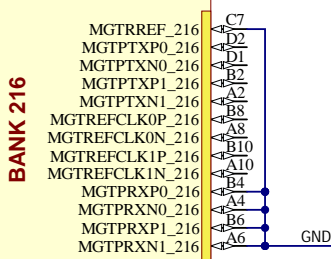
IC7D

BANK 35

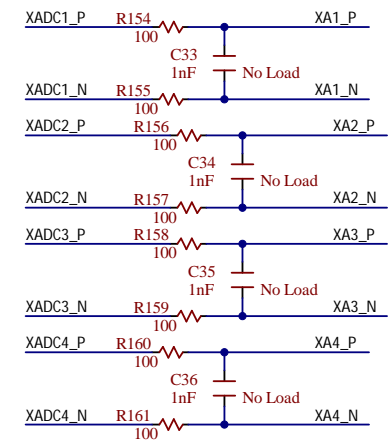


XC7A35T-ICPG236C

IC7E



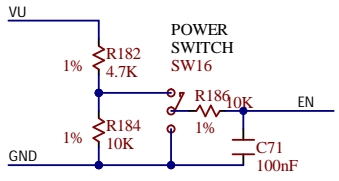
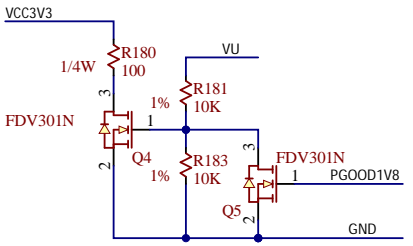
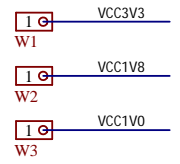
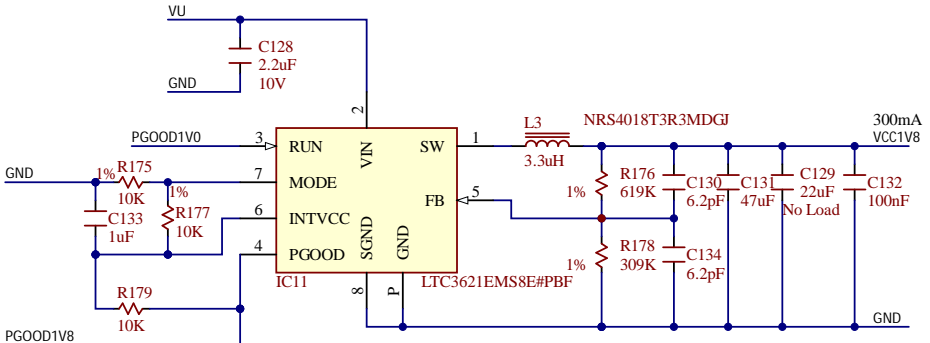
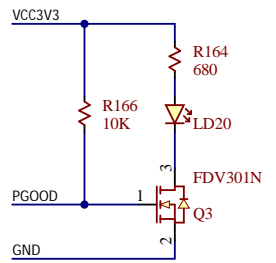
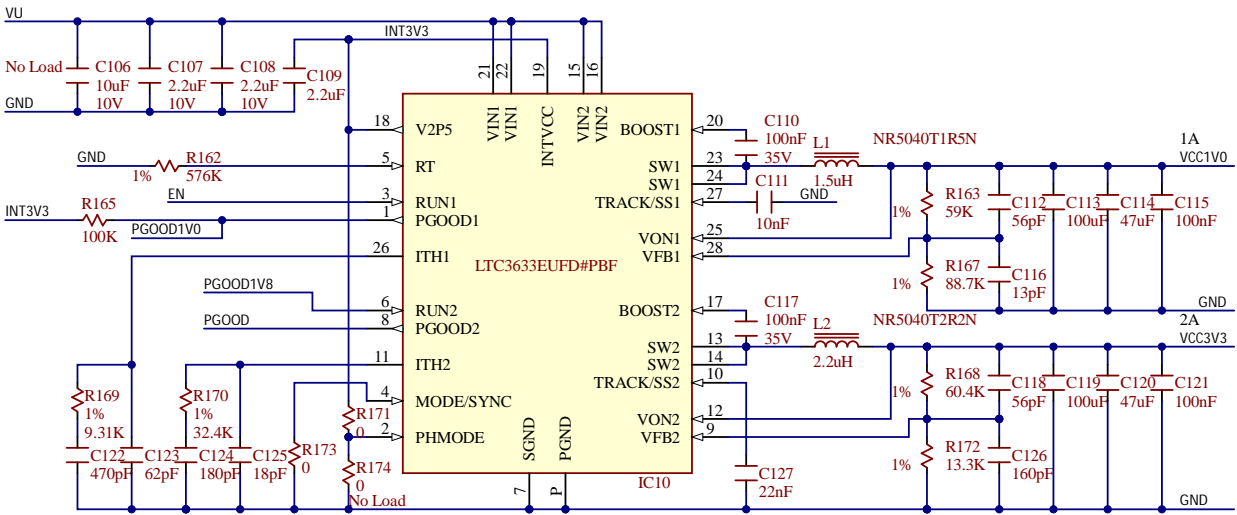
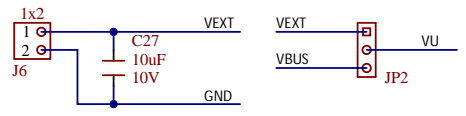
XC7A35T-ICPG236C



Title		Rev
Basys 3		D.1
Circuit		
FPGA BANKS		
Doc#	500-183	
Engineer	MTA	
Author	GMA	
Date	2/5/2021	
Sheet#	6 out of 8	



Copyright 2021



Title		Rev
Basys 3		D.1
Circuit		
POWER		
Doc#	500-183	
Engineer	MTA	
Author	GMA	
Date	2/5/2021	
Sheet#	8 out of 8	



Copyright 2021