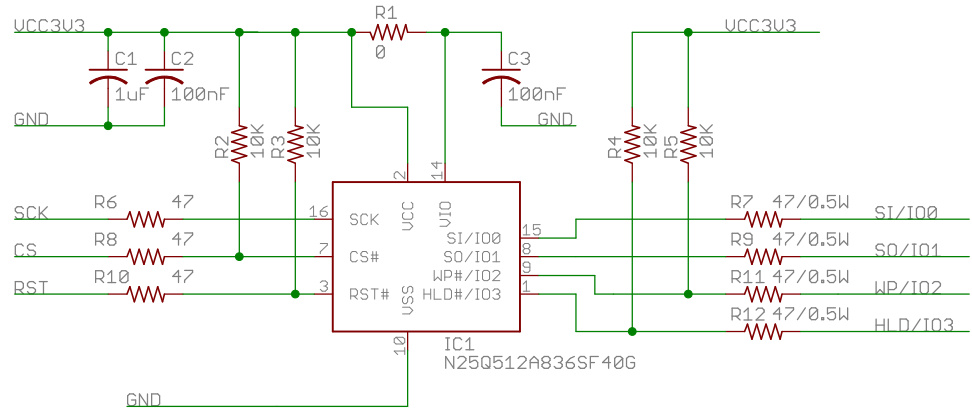
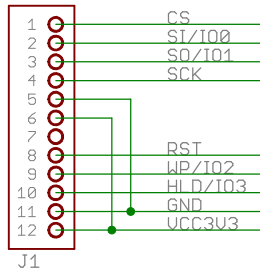


Pmod Header



CE

WEEE

ROHS CHINA

NOTE: R1 and C3 are loaded for IC1 = S25FL512S and not loaded for IC1 = N25Q512A

Digilent PmodSF3		Engineer: MTA
Copyright 2016 Digilent Inc		Author: GMA
SHEET: Main		Rev: A.0
TITLE: PmodSF3		Doc#: 500-340
Date: 5/19/2016		Sheet: 1/1