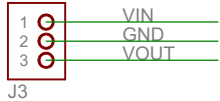
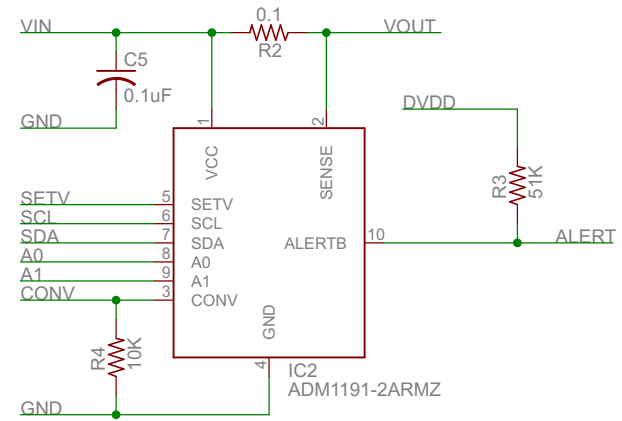
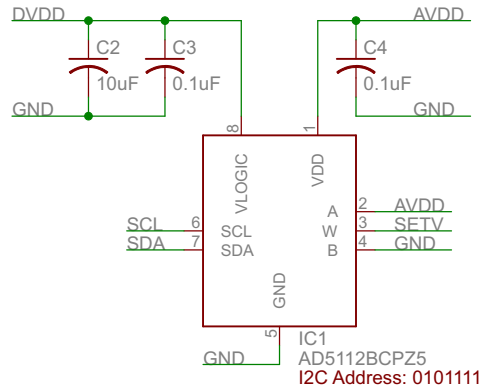


J2
Note: The voltage applied to DVDD must be kept between 3.0V and 5.5V in order to avoid damaging the parts used in this circuit.

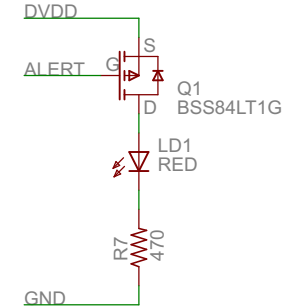
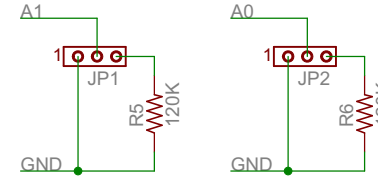
Screw Terminal



J3
Note: The voltage applied to VIN must be kept between 3.15V and 26V in order to avoid damaging the parts used in this circuit.



ADM1191 I2C Address Selection



For more information on the parts used in this design, please refer to:
www.analog.com/ADM1191 - Digital Power Monitor with Convert Pin and ALERTB Output
www.analog.com/AD5112 - Single-Channel, 64 Position, I2C, +/-8% Resistor Tolerance, Nonvolatile Digital Potentiometer

WEEE

PmodPMON1 Copyright 2012, Digilent Inc.		Engineer: MTA
SHEET:		Author: PJA
TITLE: PmodPMON1		Rev: B.0
Doc#: 500-265	Date: 09/04/2012	Sheet: 1/1