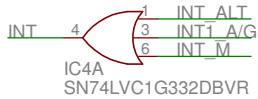
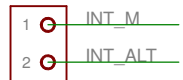


J1



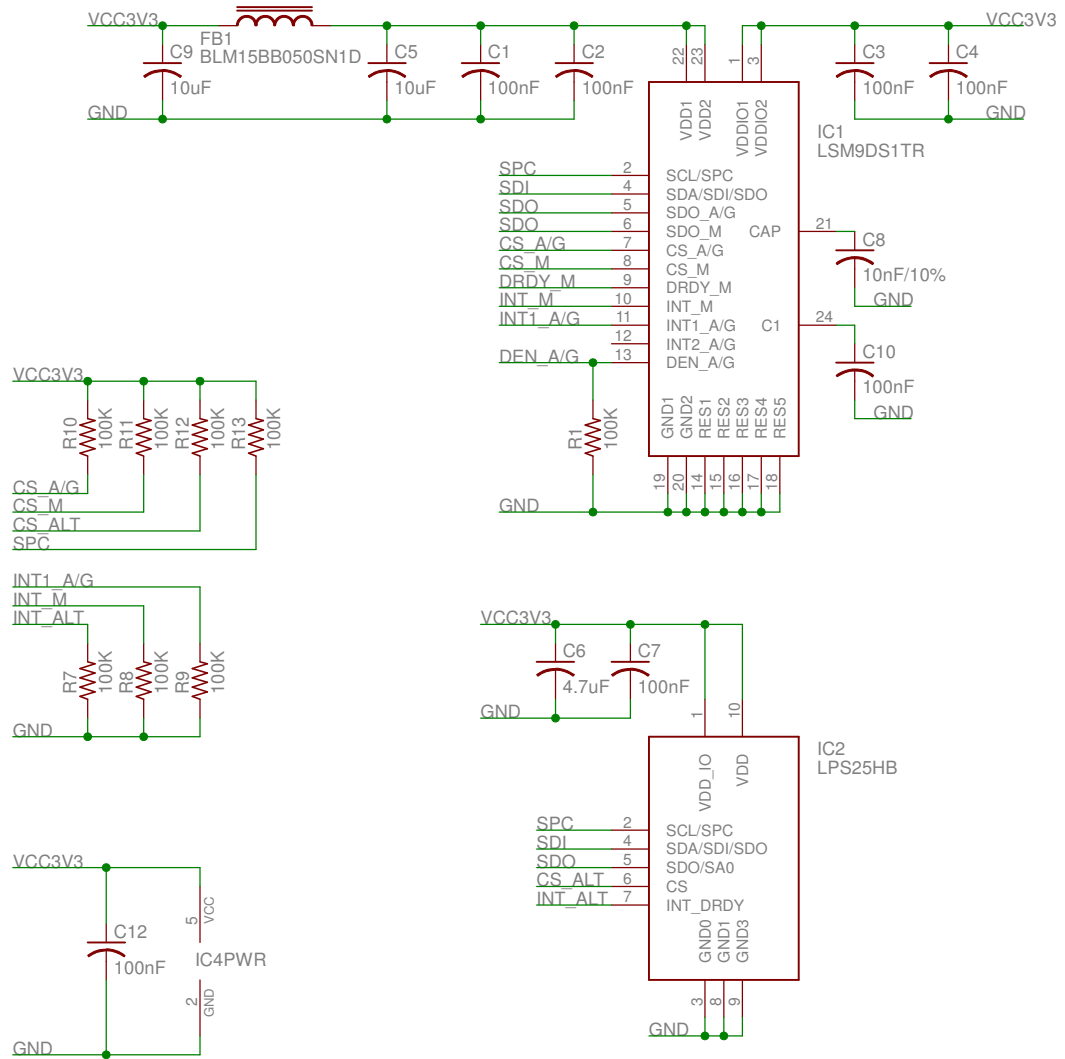
IC4A
SN74LVC1G332DBVR



J2
No Load



JP1



PmodNAV Copyright 2016, Digilent Inc.		Engineer: MTA
SHEET: Main		Author: GMA
TITLE: PmodNAV		Rev: C.0
Doc#: 500-326	Date: 4/20/2016	Sheet: 1/1