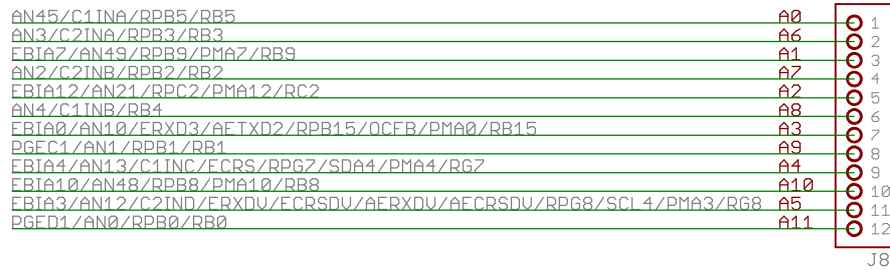
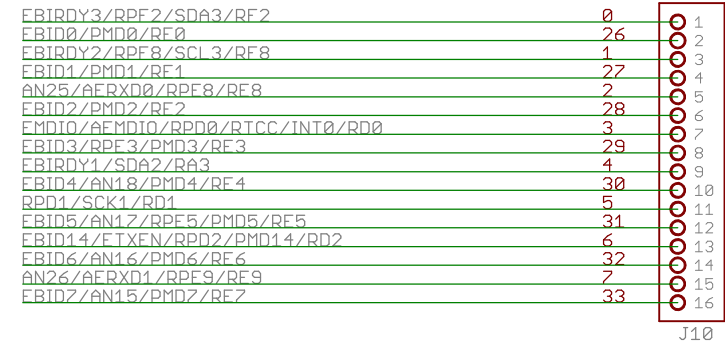
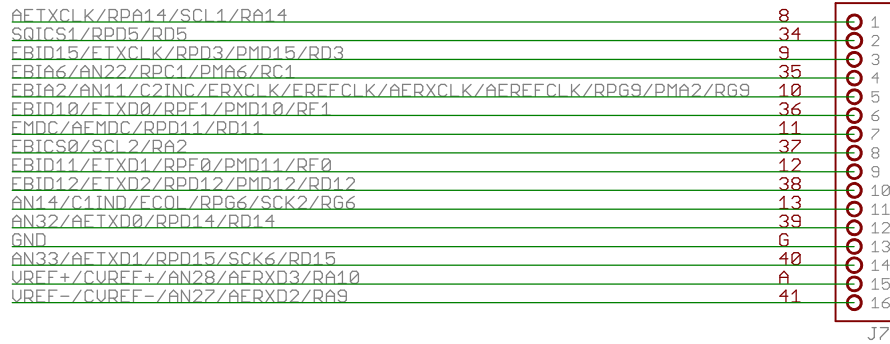
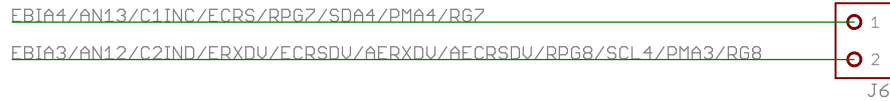
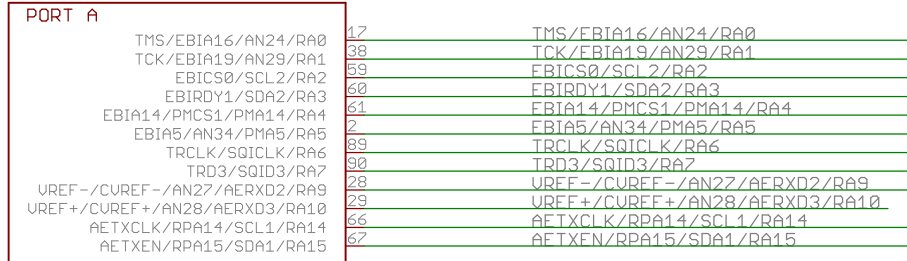


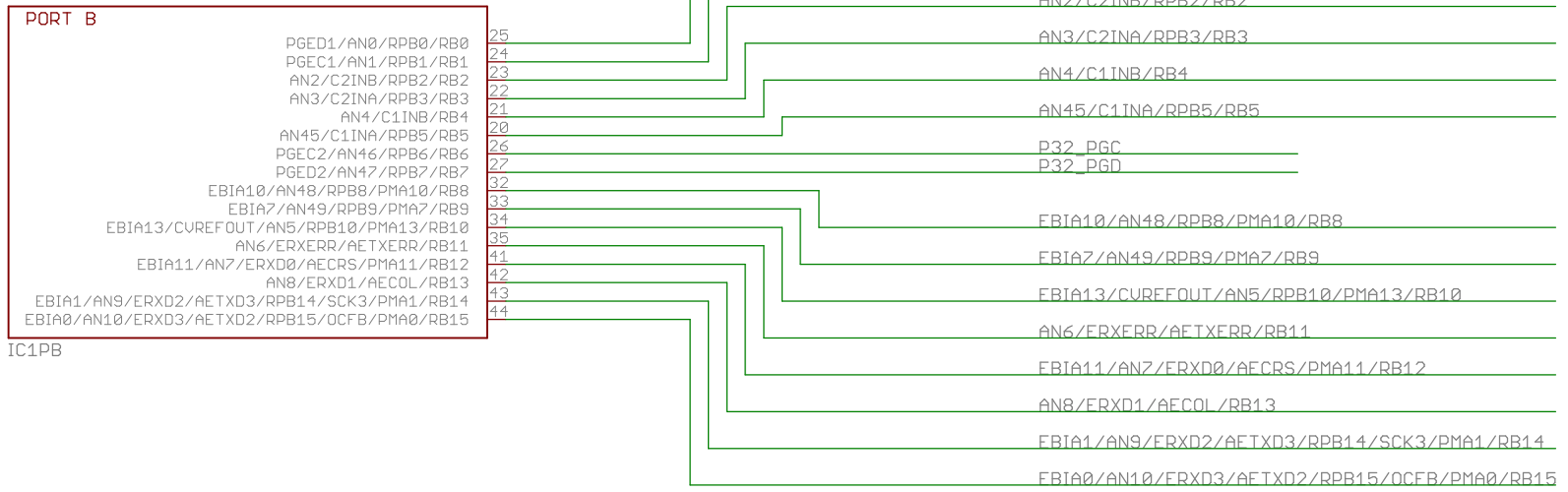
chipKIT WiFire		Engineer: KRU
Copyright 2014, Digilent Inc.		Author: CLG/KRU
SHEET: ICSP, USB Serial		Rev: C.0
TITLE: chipKIT WiFire		Doc#: 500-302
Date: 7/14/2015		Sheet: 1/6



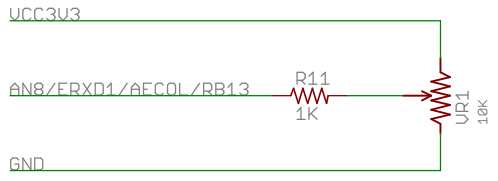
chipKIT WiFire		Engineer: KRU
Copyright 2014, Digilent Inc.		Author: CLG/KRU
SHEET: chipKIT I/O connectors		Rev: C.0
TITLE: chipKIT WiFire		Doc#: 500-302
Date: 7/14/2015		Sheet: 2/6



IC1PA



IC1PB



chipKIT WiFire		Engineer: KRU
Copyright 2014, Digilent Inc.		Author: CLG/KRU
SHEET: PIC32 I/O		Rev: C.0
TITLE: chipKIT WiFire		Doc#: 500-302
Date: 7/14/2015	Sheet: 3/6	

PORT D		
EMDIO/AEMDIO/RPD0/RTCC/INT0/RD0	71	FMDIO/AEMDIO/RPD0/RTCC/INT0/RD0
RPD1/SCK1/RD1	76	RPD1/SCK1/RD1
EBID14/ETXEN/RPD2/PMD14/RD2	77	EBID14/ETXEN/RPD2/PMD14/RD2
EBID15/ETXCLK/RPD3/PMD15/RD3	78	EBID15/ETXCLK/RPD3/PMD15/RD3
SQIC0/RPD4/RD4	81	SQIC0/RPD4/RD4
SQIC1/RPD5/RD5	82	SQIC1/RPD5/RD5
EBIA15/RPD9/PMCS2/PMA15/RD9	68	EBIA15/RPD9/PMCS2/PMA15/RD9
RPD10/SCK4/RD10	69	RPD10/SCK4/RD10
EMDC/AEMDC/RPD11/RD11	70	FMDC/AEMDC/RPD11/RD11
EBID12/ETXD2/RPD12/PMD12/RD12	79	EBID12/ETXD2/RPD12/PMD12/RD12
EBID13/ETXD3/PMD13/RD13	80	EBID13/ETXD3/PMD13/RD13
AN32/AETXD0/RPD14/RD14	47	AN32/AETXD0/RPD14/RD14
AN33/AETXD1/RPD15/SCK6/RD15	48	AN33/AETXD1/RPD15/SCK6/RD15

IC1PD

PORT E		
EBID0/PMD0/RE0	91	EBID0/PMD0/RE0
EBID1/PMD1/RE1	94	EBID1/PMD1/RE1
EBID2/PMD2/RE2	98	EBID2/PMD2/RE2
EBID3/RPE3/PMD3/RE3	99	EBID3/RPE3/PMD3/RE3
EBID4/AN18/PMD4/RE4	100	EBID4/AN18/PMD4/RE4
EBID5/AN17/RPE5/PMD5/RE5	3	EBID5/AN17/RPE5/PMD5/RE5
EBID6/AN16/PMD6/RE6	4	EBID6/AN16/PMD6/RE6
EBID7/AN15/PMD7/RE7	5	EBID7/AN15/PMD7/RE7
AN25/AERXD0/RPE8/RE8	18	AN25/AERXD0/RPE8/RE8
AN26/AERXD1/RPE9/RE9	19	AN26/AERXD1/RPE9/RE9

IC1PE

PORT F		
EBID11/ETXD1/RPF0/PMD11/RF0	85	EBID11/ETXD1/RPF0/PMD11/RF0
EBID10/ETXD0/RPF1/PMD10/RF1	86	EBID10/ETXD0/RPF1/PMD10/RF1
EBIRDY3/RPF2/SDA3/RF2	57	EBIRDY3/RPF2/SDA3/RF2
USBID/RPF3/RF3	56	USBID/RPF3/RF3
EBIA9/RPF4/SDA5/PMA9/RF4	64	EBIA9/RPF4/SDA5/PMA9/RF4
EBIA8/RPF5/SCL5/PMA8/RF5	65	EBIA8/RPF5/SCL5/PMA8/RF5
EBIRDY2/RPF8/SCL3/RF8	58	EBIRDY2/RPF8/SCL3/RF8
TDO/EBIA17/AN31/RPF12/RF12	40	TDO/EBIA17/AN31/RPF12/RF12
TDI/EBIA18/AN30/RPF13/SCK5/RF13	39	TDI/EBIA18/AN30/RPF13/SCK5/RF13

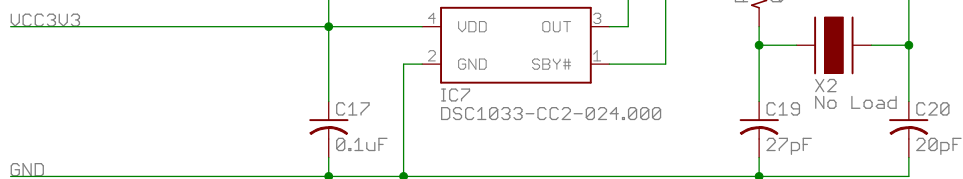
IC1PF

PORT G		
EBID8/RPG0/PMD8/RG0	88	EBID8/RPG0/PMD8/RG0
EBID9/ETXERR/RPG1/PMD9/RG1	87	EBID9/ETXERR/RPG1/PMD9/RG1
AN14/C1IND/ECOL/RPG6/SCK2/RG6	10	AN14/C1IND/ECOL/RPG6/SCK2/RG6
EBIA4/AN13/C1INC/ECRS/RPG7/SDA4/PMA4/RG7	11	EBIA4/AN13/C1INC/ECRS/RPG7/SDA4/PMA4/RG7
EBIA3/AN12/C2IND/ERXDU/ECRSDU/AECRSDU/RPG8/SCL4/PMA3/RG8	12	EBIA3/AN12/C2IND/ERXDU/ECRSDU/AECRSDU/RPG8/SCL4/PMA3/RG8
EBIA2/AN11/C2INC/ERXCLK/EREFCLK/RPG9/PMA2/RG9	16	EBIA2/AN11/C2INC/ERXCLK/EREFCLK/AERXCLK/AEREFCLK/RPG9/PMA2/RG9
TRD1/SQID1/RG12	96	TRD1/SQID1/RG12
TRD0/SQID0/RG13	97	TRD0/SQID0/RG13
TRD2/SQID2/RG14	95	TRD2/SQID2/RG14
AN23/AERXERR/RG15	1	AN23/AERXERR/RG15

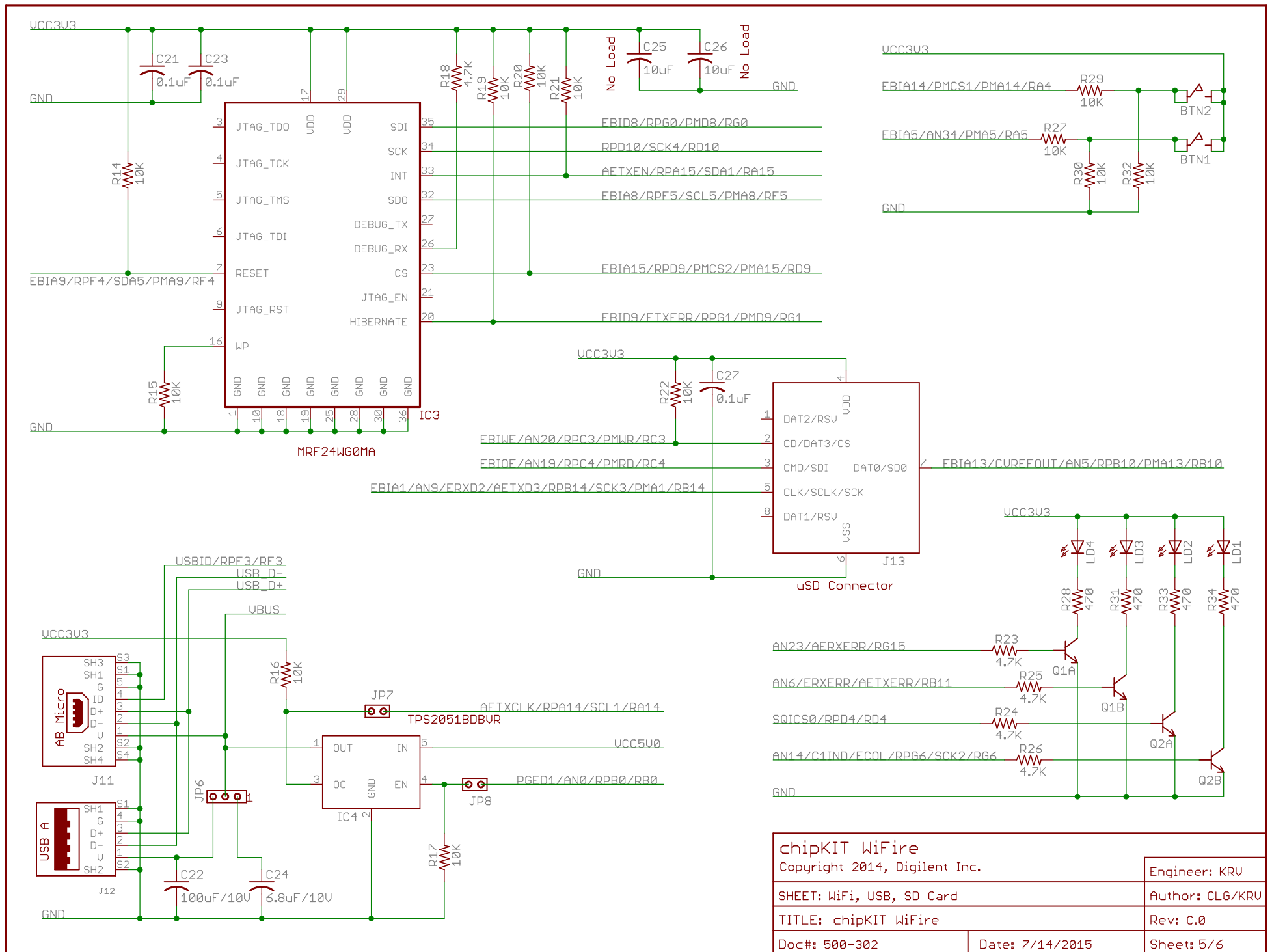
IC1PG

PORT C		
EBIA6/AN22/RPC1/PMA6/RC1	6	EBIA6/AN22/RPC1/PMA6/RC1
EBIA12/AN21/RPC2/PMA12/RC2	7	EBIA12/AN21/RPC2/PMA12/RC2
EBIAE/AN20/RPC3/PMWR/RC3	8	EBIAE/AN20/RPC3/PMWR/RC3
EBIOE/AN19/RPC4/PMRD/RC4	9	EBIOE/AN19/RPC4/PMRD/RC4
OSCI/CLKI/RC12	49	
SOSCI/RPC13/RC13	72	
SOSCO/RPC14/T1CK/RC14	73	
OSCO/CLKO/RC15	50	

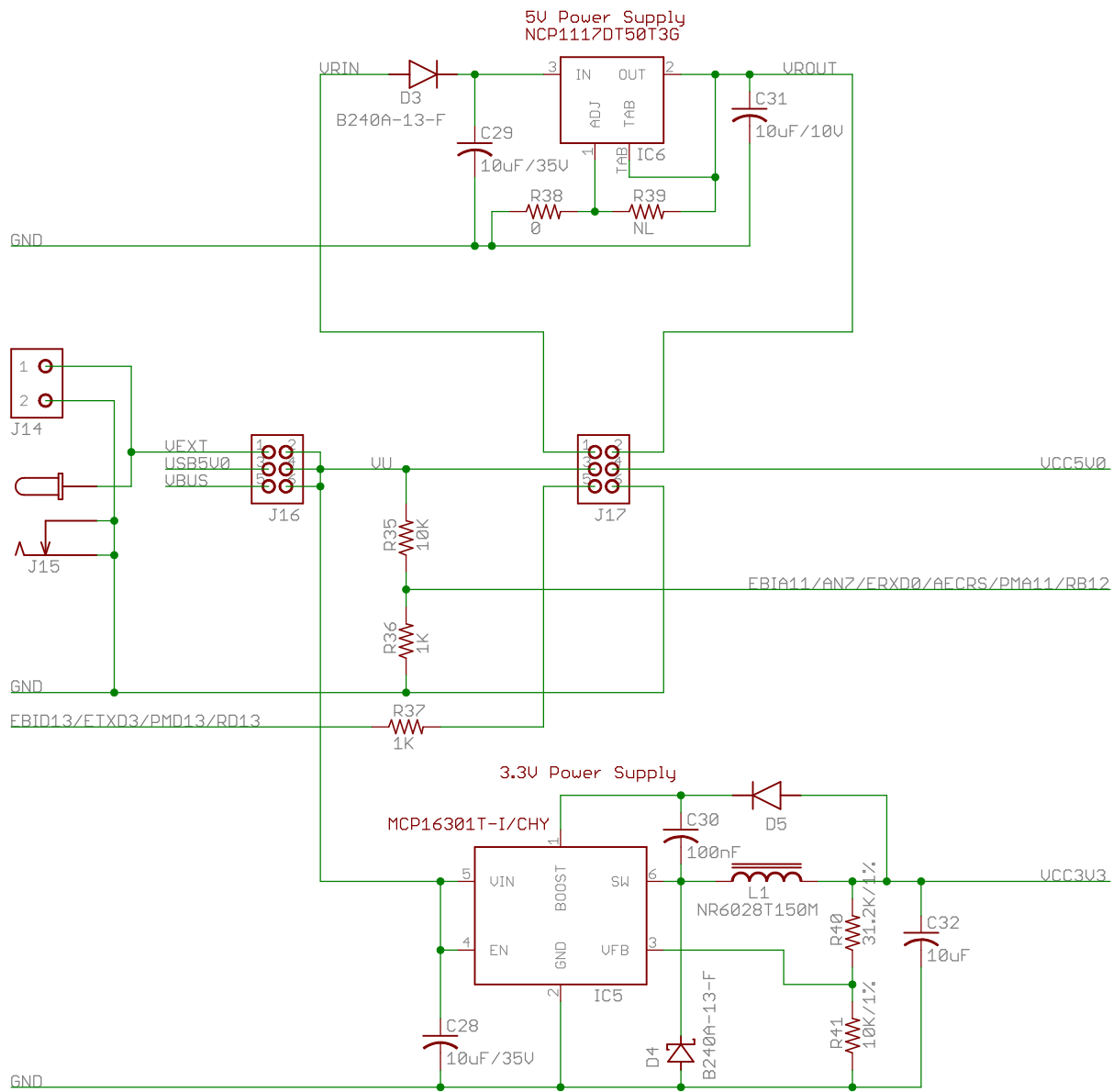
IC1PC



chipKIT WiFire		Engineer: KRU
Copyright 2014, Digilent Inc.		Author: CLG/KRU
SHEET: PIC32 1/0		Rev: C.0
TITLE: chipKIT WiFire		Doc#: 500-302
Date: 7/14/2015		Sheet: 4/6



chipKIT WiFire		Engineer: KRU
Copyright 2014, Digilent Inc.		Author: CLG/KRU
SHEET: WiFi, USB, SD Card		Rev: C.0
TITLE: chipKIT WiFire		Doc#: 500-302
Date: 7/14/2015		Sheet: 5/6



chipKIT WiFire		Engineer: KRU
Copyright 2014, Digilent Inc.		Author: CLG/KRU
SHEET: Power Supplies		Rev: C.0
TITLE: chipKIT WiFire		Doc#: 500-302
Date: 7/14/2015		Sheet: 6/6