

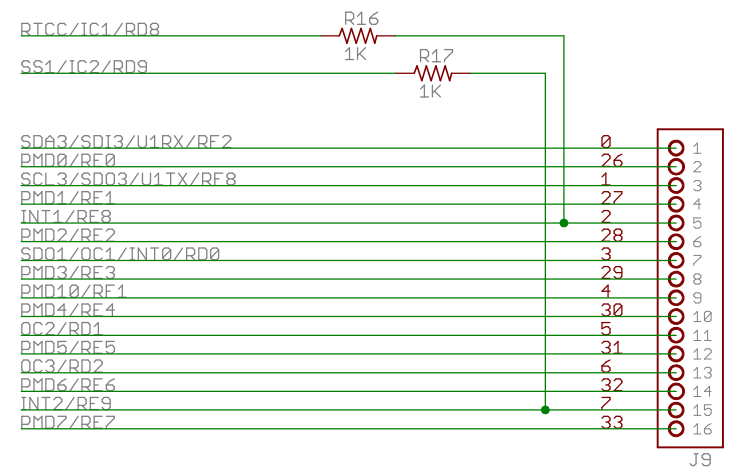
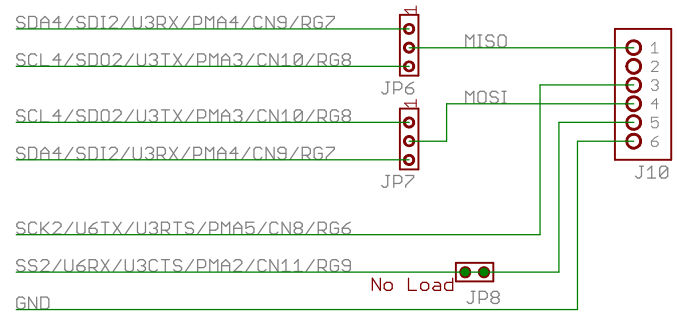
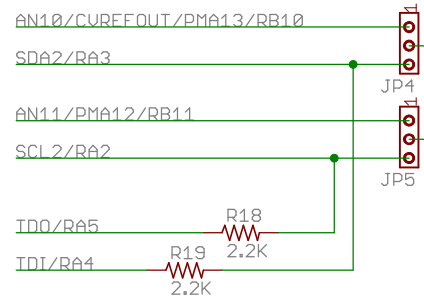
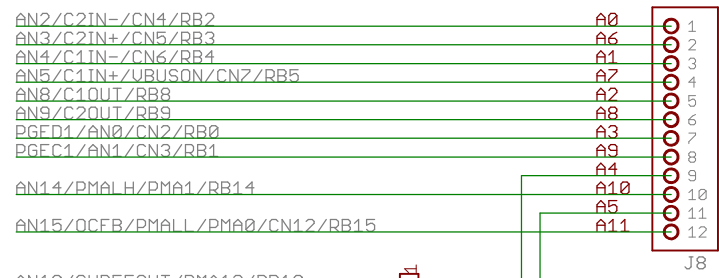
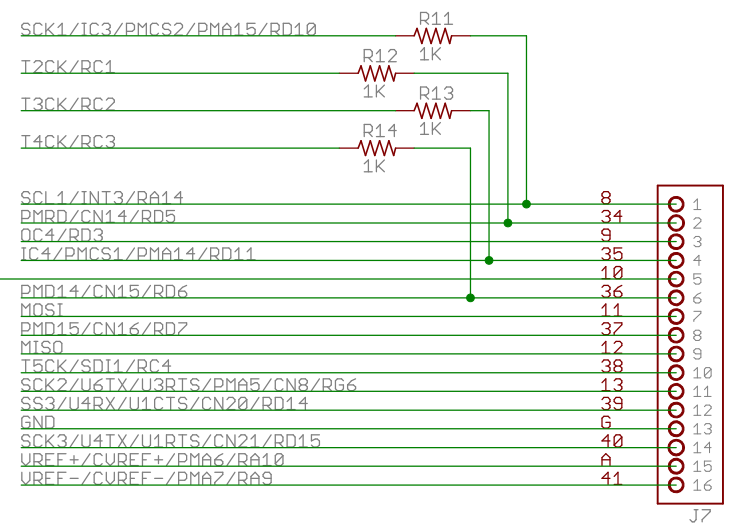
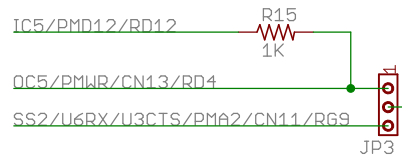
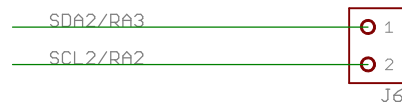
chipKIT™ WF32 Reference Design

Digilent chipKIT hardware files are licensed under the Creative Commons Attribution-ShareAlike license. This license allows for both personal and commercial derivative works, as long as proper credit is given to Digilent and the designs are released under the same license.

www.creativecommons.org/licenses/by-sa/3.0/

Reference designs are provided "AS IS" and "WITH ALL FAULTS". Digilent disclaims all other warranties express or implied, regarding this product, including but not limited to, any implied warranties of merchantability or fitness for any particular application. Digilent may make changes to specifications and product descriptions at any time, without notice.

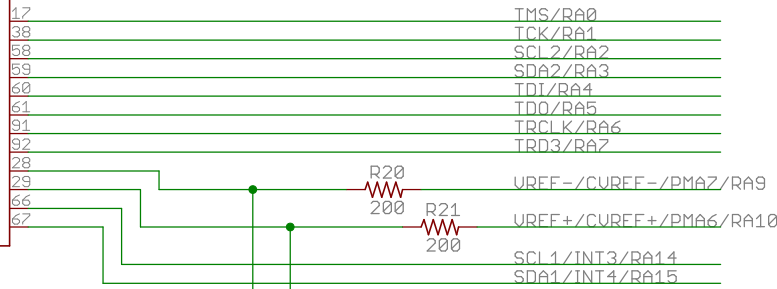
chipKIT WF32		
Copyright 2013-2014, Digilent Inc.		Engineer: NEA
SHEET: License		Author: CLG
TITLE: chipKITWF32		Rev: C.0
Doc#: 500-273	Date: 09/20/2014	Sheet: 1/7



chipKIT WF32		Engineer: NEA
Copyright 2013-2014, Digilent Inc.		Author: CLG
SHEET: chipKit I/O connectors		Rev: C.0
TITLE: chipKITWF32		Date: 09/20/2014
Doc#: 500-273	Date: 09/20/2014	Sheet: 3/7

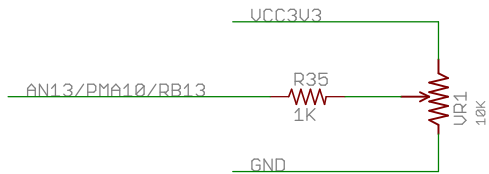
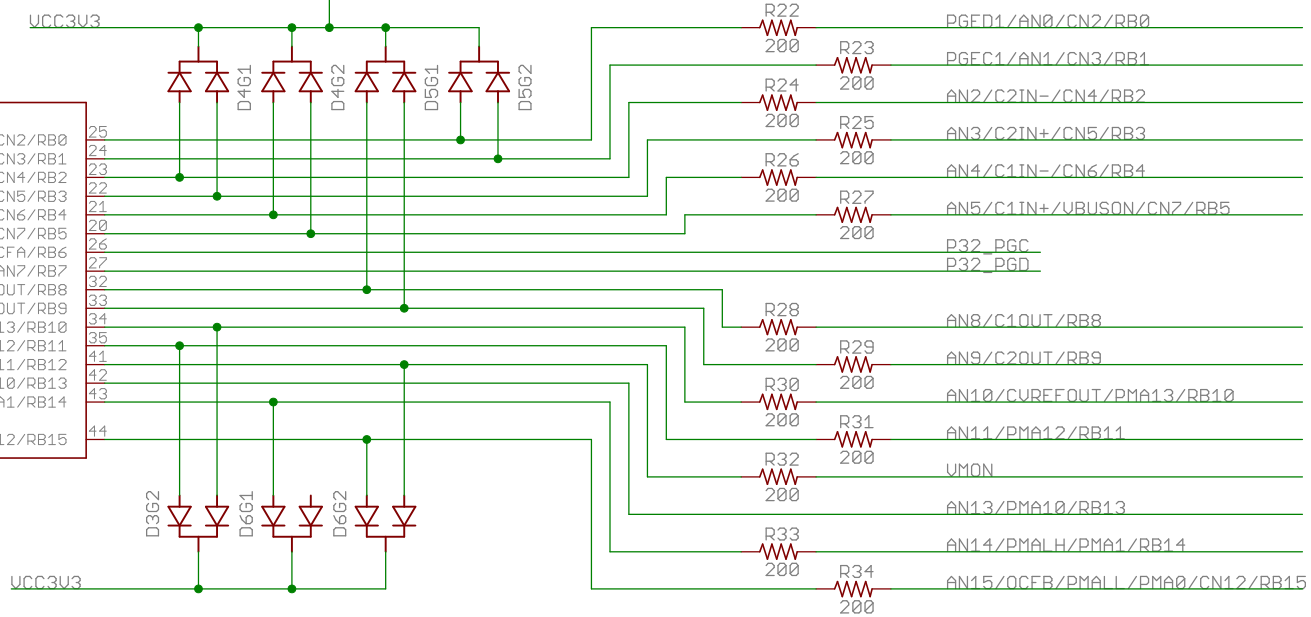
Port A	
TMS/RA0	17
TCK/RA1	38
SCL2/RA2	58
SDA2/RA3	59
TDI/RA4	60
TDO/RA5	61
TRCLK/RA6	91
TRD3/RA7	92
UREF-/CUREF-/AERXD2/PMA7/RA9	28
UREF+/CUREF+/AERXD3/PMA6/RA10	29
AETXCLK/SCL1/INT3/RA14	66
AETXEN/SDA1/INT4/RA15	67

IC2PA



Port B	
PGED1/AN0/CN2/RB0	25
PGEC1/AN1/CN3/RB1	24
AN2/C2IN-/CN4/RB2	23
AN3/C2IN+/CN5/RB3	22
AN4/C1IN-/CN6/RB4	21
AN5/C1IN+/UBUS0N/CN7/RB5	20
PGEC2/AN6/OCFA/RB6	26
PGED2/AN7/RB7	27
AN8/C1OUT/RB8	32
AN9/C2OUT/RB9	33
AN10/CUREFOUT/PMA13/RB10	34
AN11/ERXERR/AETXERR/PMA12/RB11	35
AN12/ERXD0/AECRS/PMA11/RB12	41
AN13/ERXD1/AECOL/PMA10/RB13	42
AN14/ERXD2/AETXD3/PMA1H/PMA1/RB14	43
AN15/ERXD3/AETXD2/OCFB/PMA1L/PMA0/CN12/RB15	44

IC2PB



chipKIT WF32

Copyright 2013-2014, Digilent Inc.

Engineer: NEA

SHEET: PIC32 I/0

Author: CLG

TITLE: chipKITWF32

Rev: C.0

Doc#: 500-273

Date: 09/20/2014

Sheet: 4/7

Port D	
SD01/OC1/INT0/RD0	72
OC2/RD1	76
OC3/RD2	77
OC4/RD3	78
OC5/PMWR/CN13/RD4	81
PMRD/CN14/RD5	82
ETXEN/PMD14/CN15/RD6	83
ETXCLK/PMD15/CN16/RD7	84
RTCC/EMDIO/AEMDIO/IC1/RD8	68
SS1/IC2/RD9	69
SCK1/IC3/PMCS2/PMA15/RD10	70
EMDC/AEMDC/IC4/PMCS1/PMA14/RD11	71
ETXD2/IC5/PMD12/RD12	79
ETXD3/PMD13/CN19/RD13	80
AETXD0/SS3/U4RX/U1CTS/CN20/RD14	47
AETXD1/SCK3/U4TX/U1RTS/CN21/RD15	48

IC2PD

SD01/OC1/INT0/RD0	72
OC2/RD1	76
OC3/RD2	77
OC4/RD3	78
OC5/PMWR/CN13/RD4	81
PMRD/CN14/RD5	82
PMD14/CN15/RD6	83
PMD15/CN16/RD7	84
RTCC/IC1/RD8	68
SS1/IC2/RD9	69
SCK1/IC3/PMCS2/PMA15/RD10	70
IC4/PMCS1/PMA14/RD11	71
IC5/PMD12/RD12	79
PMD13/CN19/RD13	80
SS3/U4RX/U1CTS/CN20/RD14	47
SCK3/U4TX/U1RTS/CN21/RD15	48

Port F	
C1RX/ETXD1/PMD11/RF0	87
C1TX/ETXD0/PMD10/RF1	88
SDA3/SDI3/U1RX/RF2	52
USBID/RF3	51
SDA5/SDI4/U2RX/PMA9/CN17/RF4	49
SCL5/SD04/U2TX/PMA8/CN18/RF5	50
SCL3/SD03/U1TX/RF8	53
SS4/U5RX/U2CTS/RF12	40
AC1TX/SS4/U5RX/U2CTS/RF12	39
AC1TX/SCK4/U5TX/U2RTS/RF13	39

IC2PF

PMD11/RF0	87
PMD10/RF1	88
SDA3/SDI3/U1RX/RF2	52
USBID/RF3	51
SDA5/SDI4/U2RX/PMA9/CN17/RF4	49
SCL5/SD04/U2TX/PMA8/CN18/RF5	50
SCL3/SD03/U1TX/RF8	53
SS4/U5RX/U2CTS/RF12	40
SCK4/U5TX/U2RTS/RF13	39

Port E	
PMD0/RE0	93
PMD1/RE1	94
PMD2/RE2	98
PMD3/RE3	99
PMD4/RE4	100
PMD5/RE5	3
PMD6/RE6	4
PMD7/RE7	5
AERXD0/INT1/RE8	18
AERXD1/INT2/RE9	19

IC2PE

PMD0/RE0	93
PMD1/RE1	94
PMD2/RE2	98
PMD3/RE3	99
PMD4/RE4	100
PMD5/RE5	3
PMD6/RE6	4
PMD7/RE7	5
INT1/RE8	18
INT2/RE9	19

Port G	
C2RX/PMD8/RG0	90
C2TX/ETXERR/PMD9/RG1	89
D+/RG2	57
D-/RG3	56
SCK2/U6TX/U3RTS/PMA5/CN8/RG6	10
SDA4/SDI2/U3RX/PMA4/CN9/RG7	11
SCL4/SD02/U3TX/PMA3/CN10/RG8	12
SS2/U6RX/U3CTS/PMA2/CN11/RG9	14
TRD1/RG12	96
TRD0/RG13	97
TRD2/RG14	95
AERXERR/RG15	1

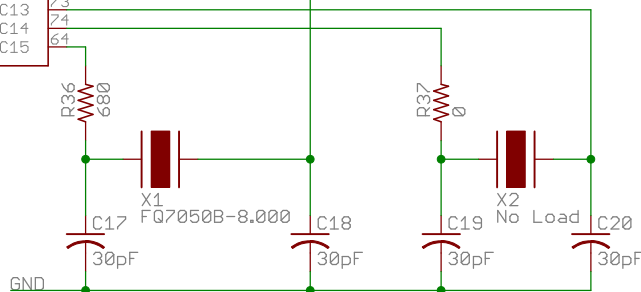
IC2PG

PMD8/RG0	90
PMD9/RG1	89
D+/RG2	57
D-/RG3	56
SCK2/U6TX/U3RTS/PMA5/CN8/RG6	10
SDA4/SDI2/U3RX/PMA4/CN9/RG7	11
SCL4/SD02/U3TX/PMA3/CN10/RG8	12
SS2/U6RX/U3CTS/PMA2/CN11/RG9	14
TRD1/RG12	96
TRD0/RG13	97
TRD2/RG14	95
RG15	1

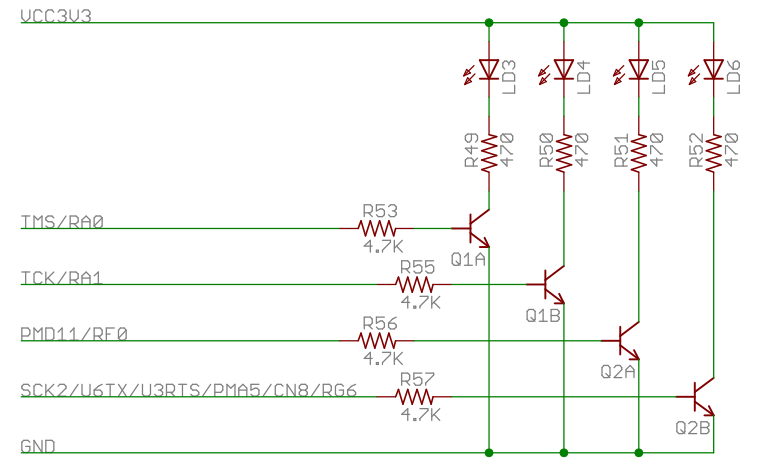
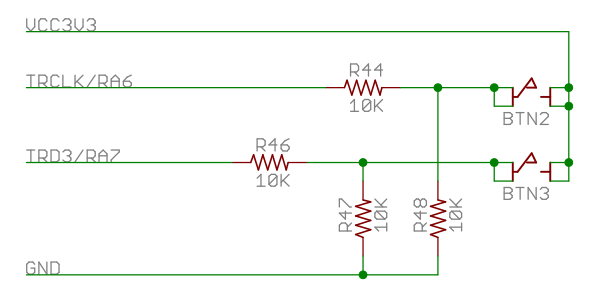
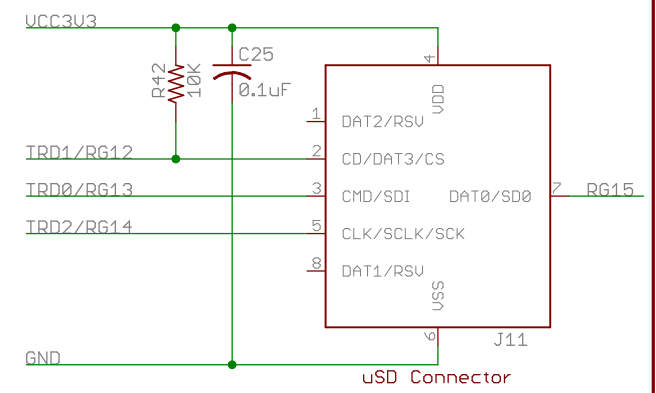
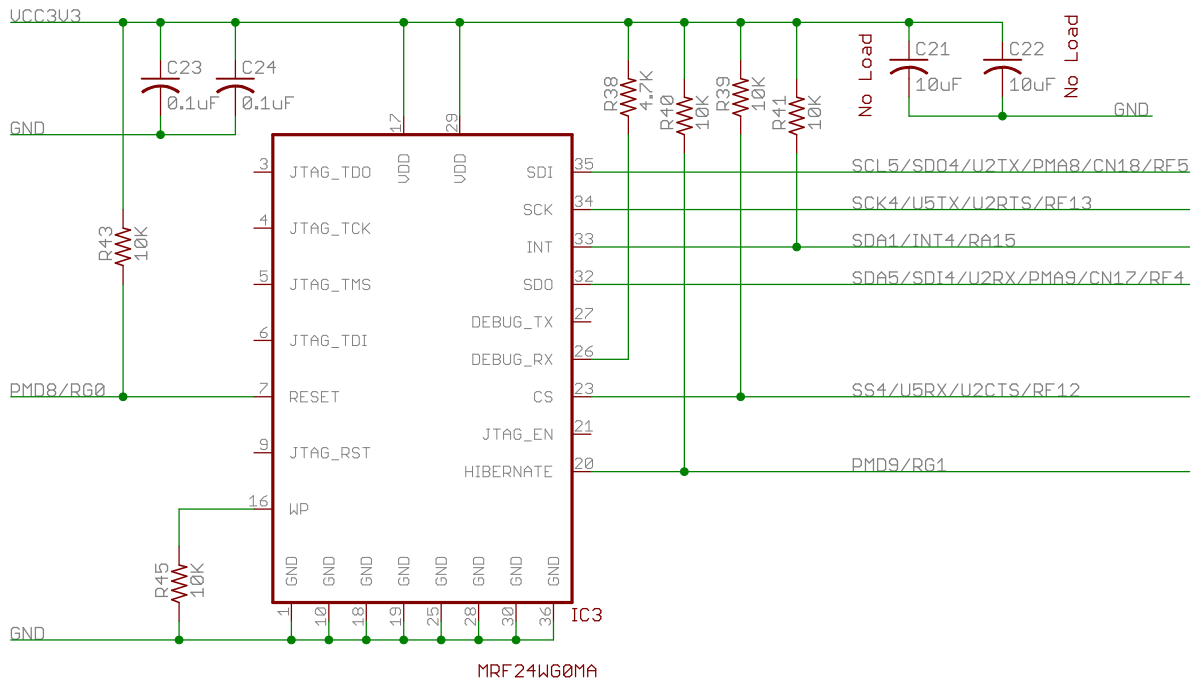
Port C	
T2CK/RC1	6
T3CK/AC2TX/RC2	7
T4CK/AC2RX/RC3	8
T5CK/SDI1/RC4	9
OSC1/CLKI/RC12	63
SOSC1/CN1/RC13	73
SOSCO/T1CK/CN0/RC14	74
OSC2/CLK0/RC15	64

IC2PC

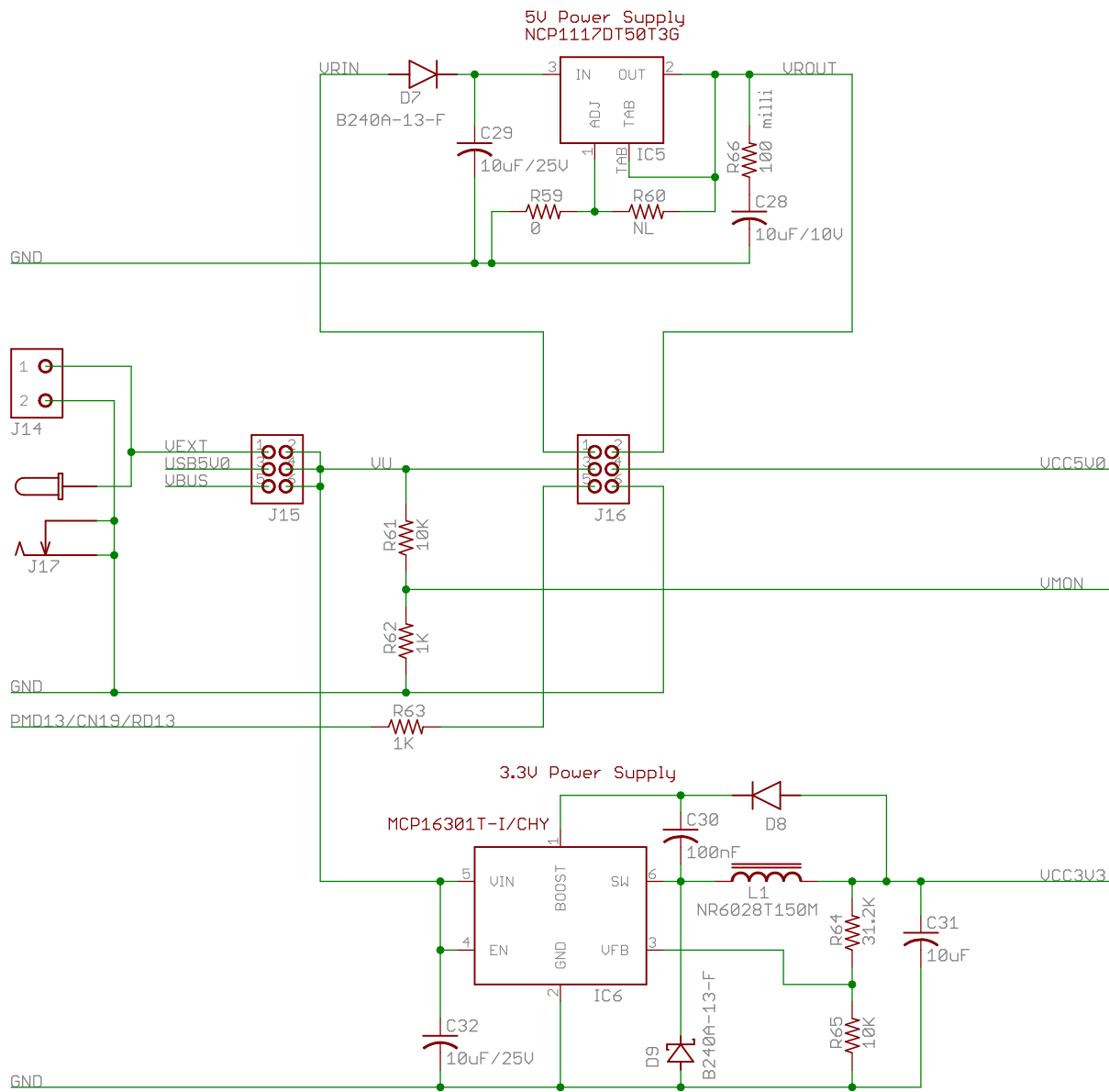
T2CK/RC1	6
T3CK/RC2	7
T4CK/RC3	8
T5CK/SDI1/RC4	9



chipKIT WF32		Engineer: NEA
Copyright 2013-2014, Digilent Inc.		Author: CLG
SHEET: PIC32 I/0		Rev: C.0
TITLE: chipKITWF32		Doc#: 500-273
Date: 09/20/2014		Sheet: 5/7



chipKIT WF32		Engineer: NEA
Copyright 2013-2014, Digilent Inc.		Author: CLG
SHEET: WiFi, USB, SD Card		Rev: C.0
TITLE: chipKITWF32		Doc#: 500-273
Date: 09/20/2014		Sheet: 6/7



chipKIT WF32		Engineer: NEA
Copyright 2013-2014, Digilent Inc.		Author: CLG
SHEET: Power Supplies		Rev: C.0
TITLE: chipKITWF32		Doc#: 500-273
Date: 09/20/2014	Sheet: 7/7	