

chipKIT™ Pro MX4 Reference Design

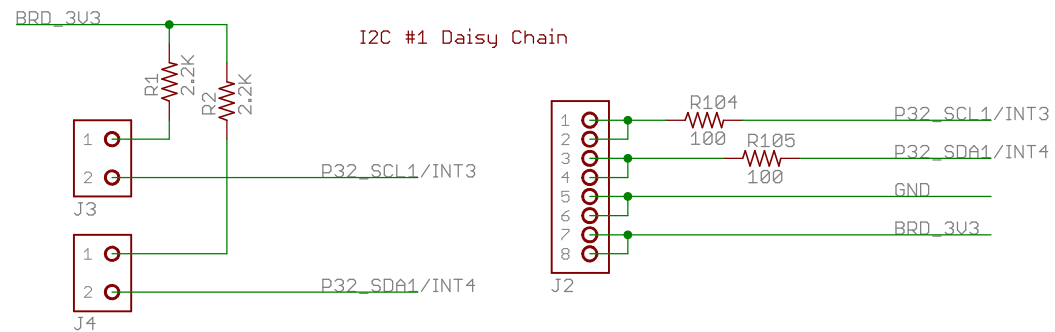
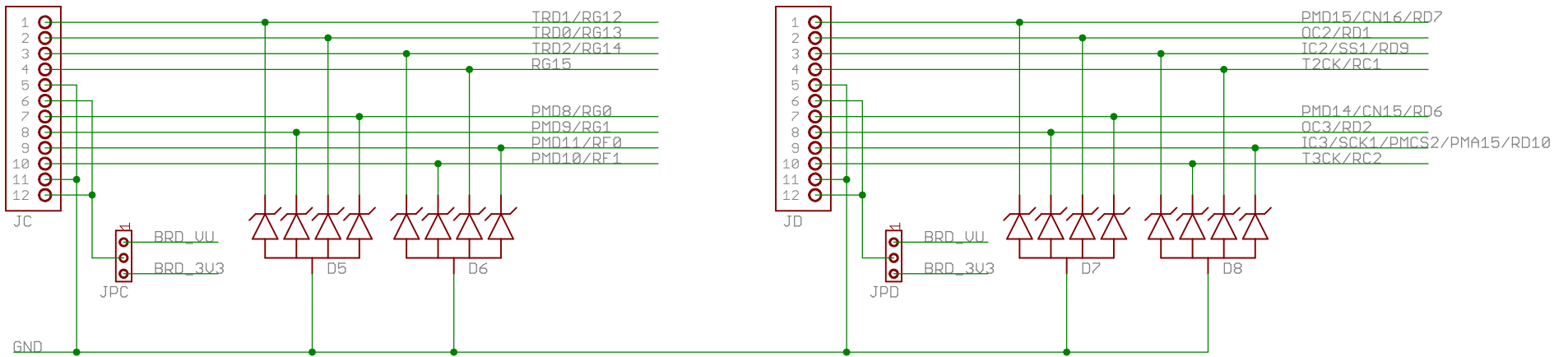
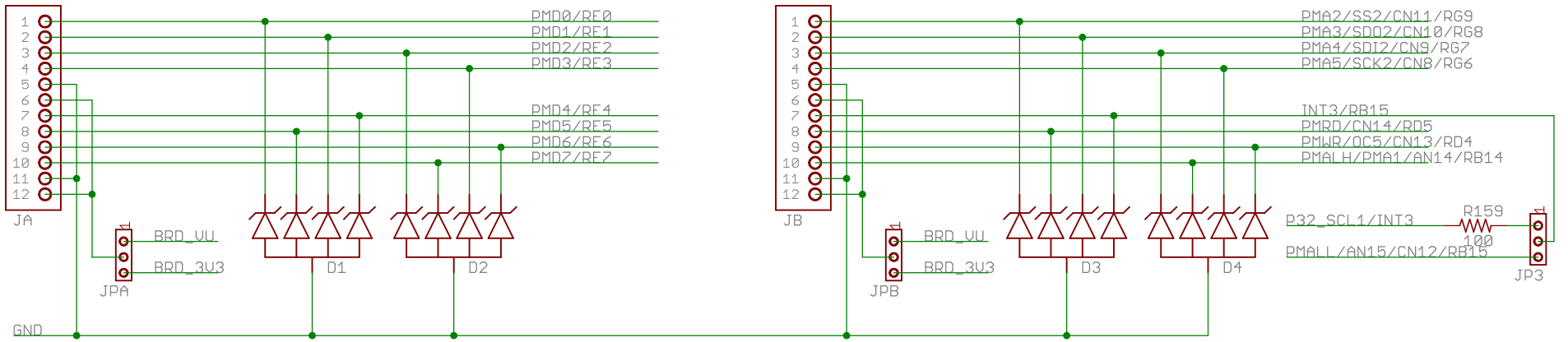
Digilent chipKIT hardware files are licensed under the Creative Commons Attribution-ShareAlike license. This license allows for both personal and commercial derivative works, as long as proper credit is given to Digilent and the designs are released under the same license.

www.creativecommons.org/licenses/by-sa/3.0/

Reference designs are provided "AS IS" and "WITH ALL FAULTS". Digilent disclaims all other warranties express or implied, regarding this product, including but not limited to, any implied warranties of merchantability or fitness for any particular application. Digilent may make changes to specifications and product descriptions at any time, without notice.

chipKIT Pro MX4 Copyright 2013, Digilent Inc.		Engineer: NEA
SHEET: Pmod Connectors		Author: GMA
TITLE: chipKIT Pro MX4		Rev: A.0
Doc#: 500-295	Date: 11/26/2013	Sheet: 1/10

Pmod Connectors



Digilent Inc.

chipKIT Pro MX4
Copyright 2013, Digilent Inc.

Engineer: NEA

SHEET: Pmod Connectors

Author: GMA

TITLE: chipKIT Pro MX4

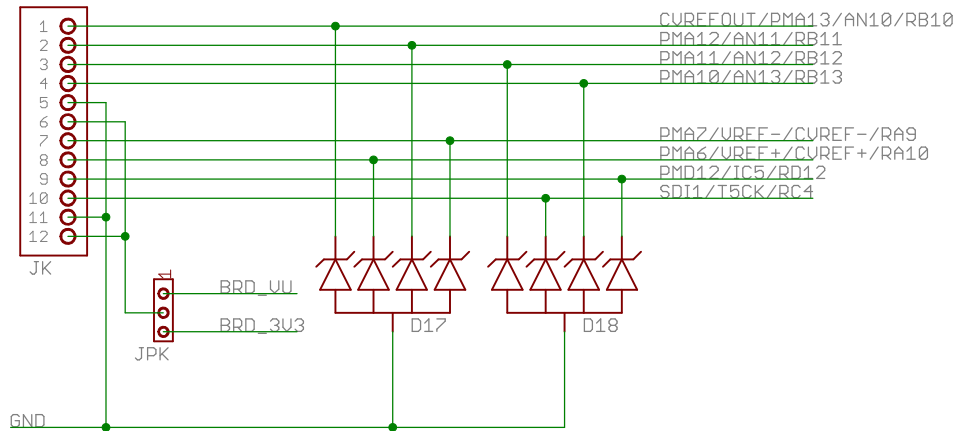
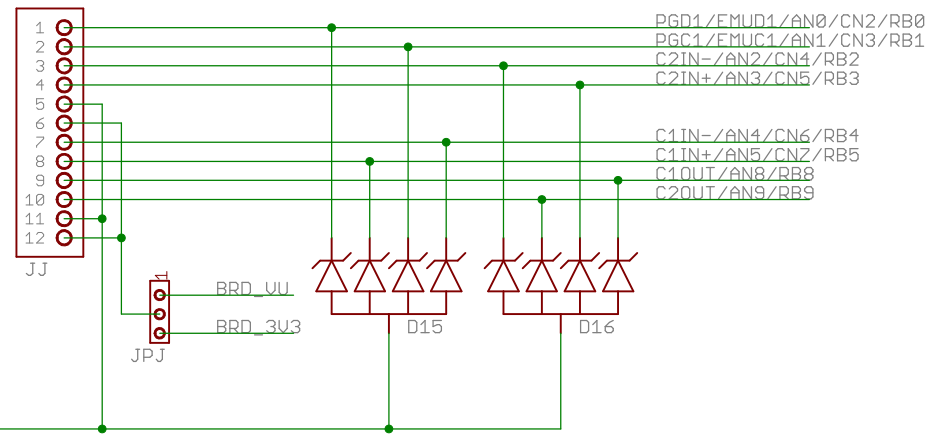
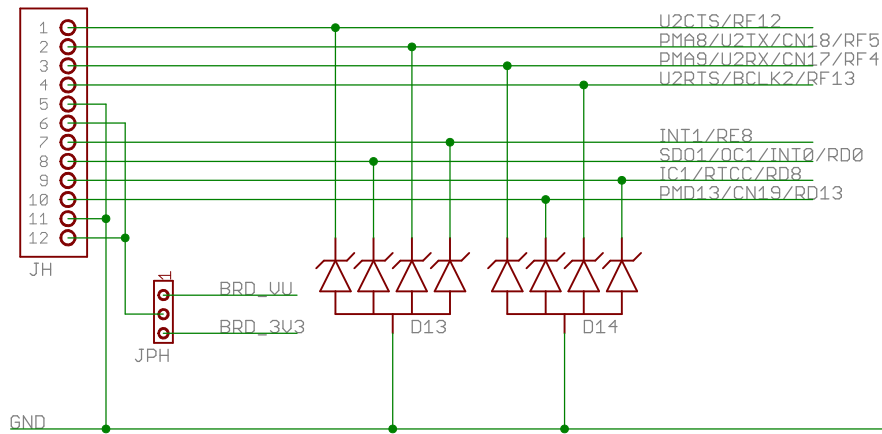
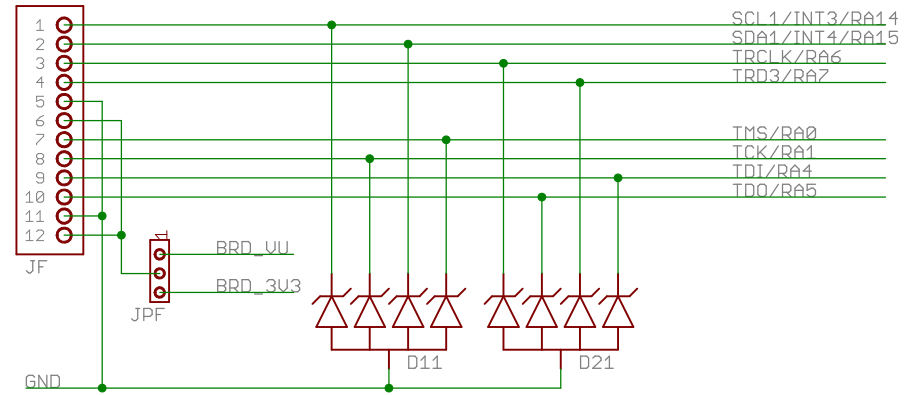
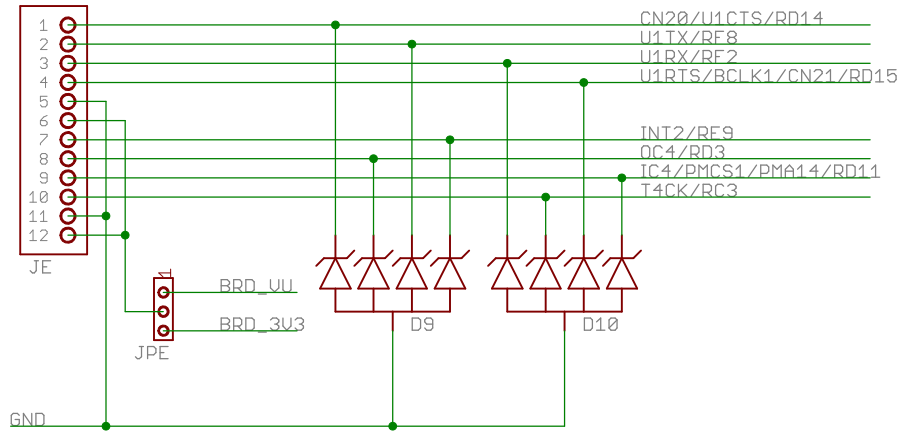
Rev: A.0

Doc#: 500-295

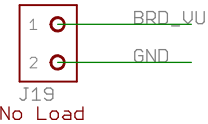
Date: 11/26/2013

Sheet: 2/10

Pmod Connectors



POWER OUT



chipKIT Pro MX4
Copyright 2013, Digilent Inc.

Engineer: NEA

SHEET: Pmod Connectors

Author: GMA

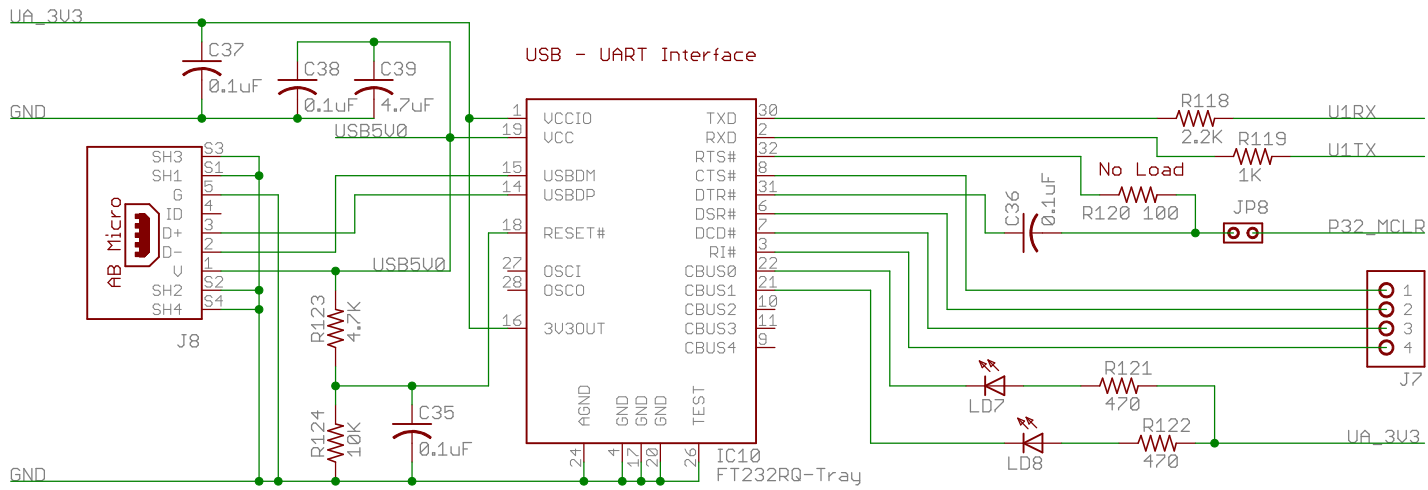
TITLE: chipKIT Pro MX4

Rev: A.0

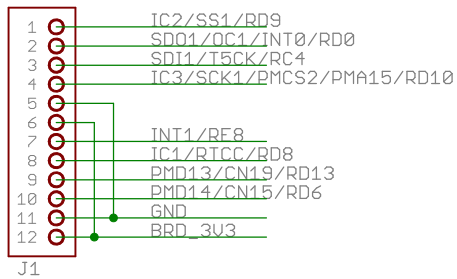
Doc#: 500-295

Date: 11/26/2013

Sheet: 3/10



SPI Port #1 Connector



chipKIT Pro MX4
Copyright 2013, Digilent Inc.

Engineer: NEA

SHEET: USB UART

Author: GMA

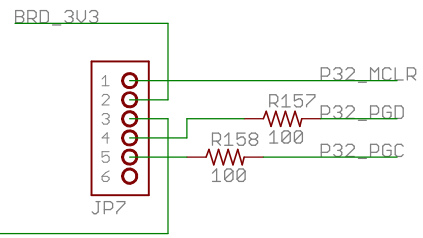
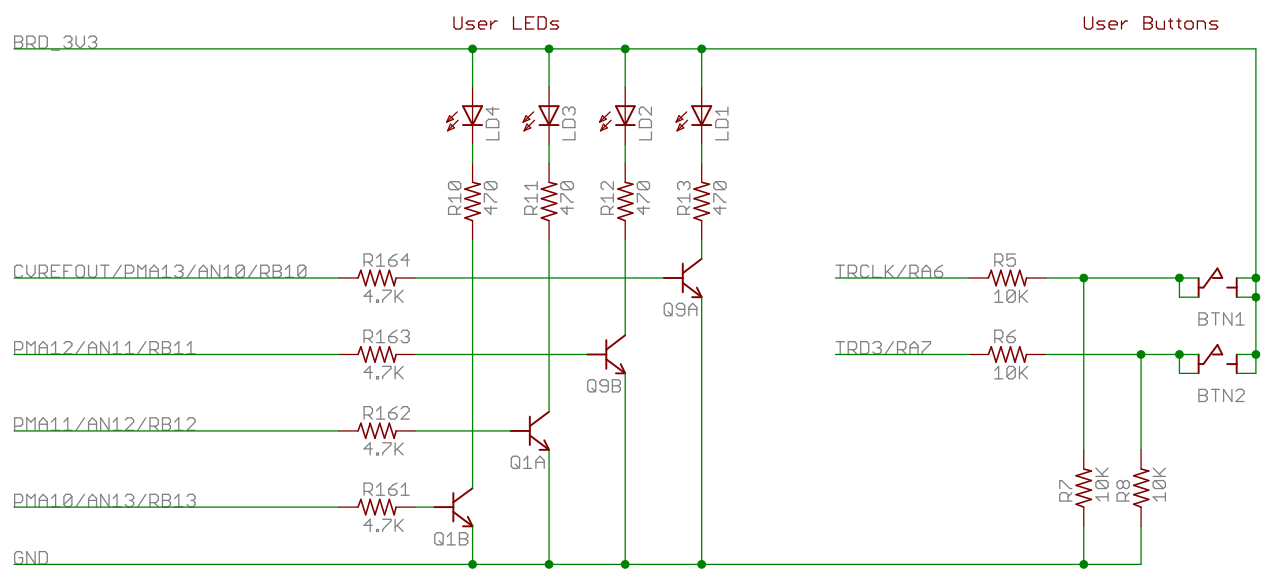
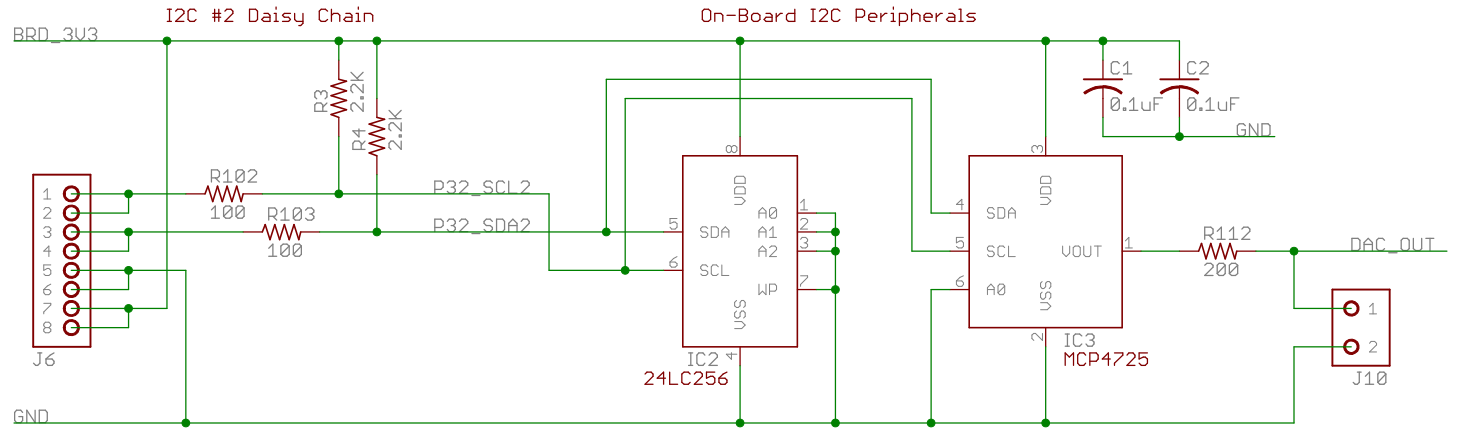
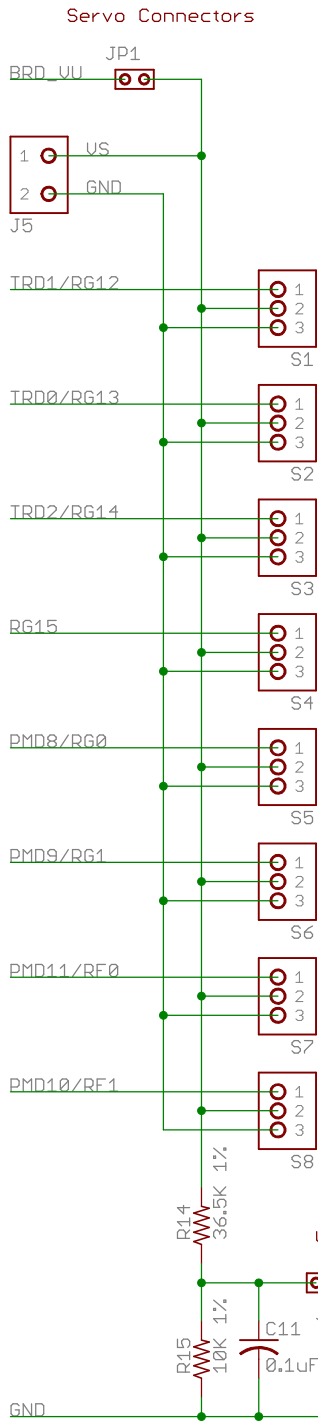
TITLE: chipKIT Pro MX4

Rev: A.0

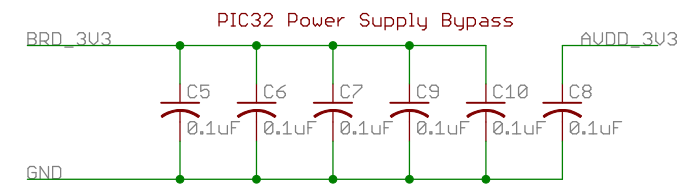
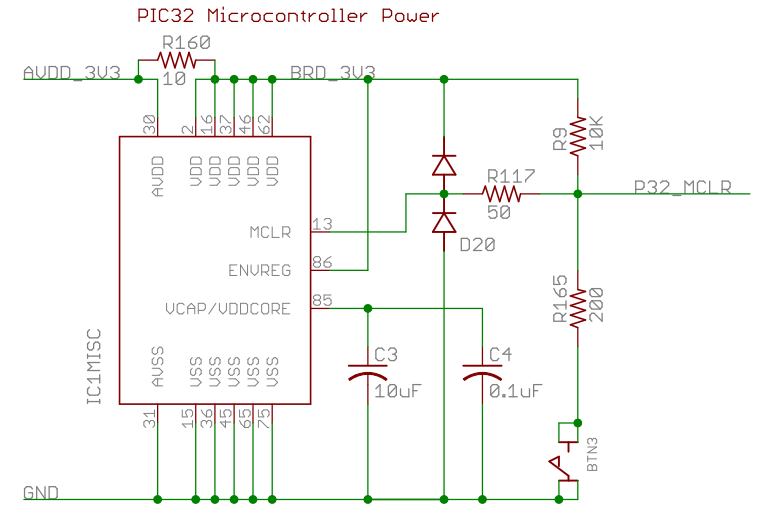
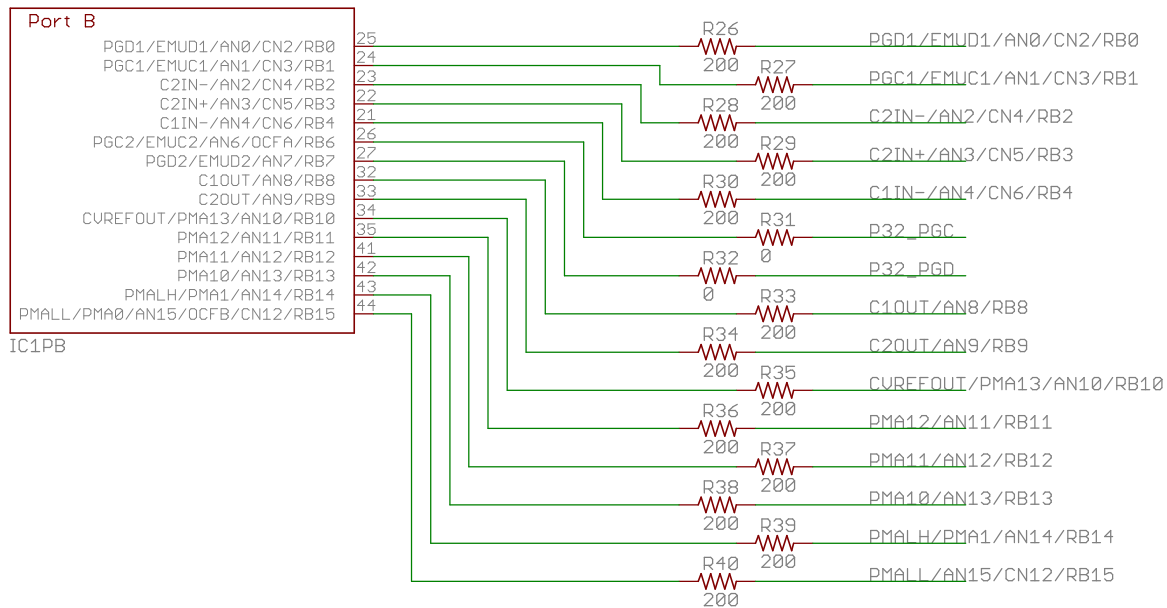
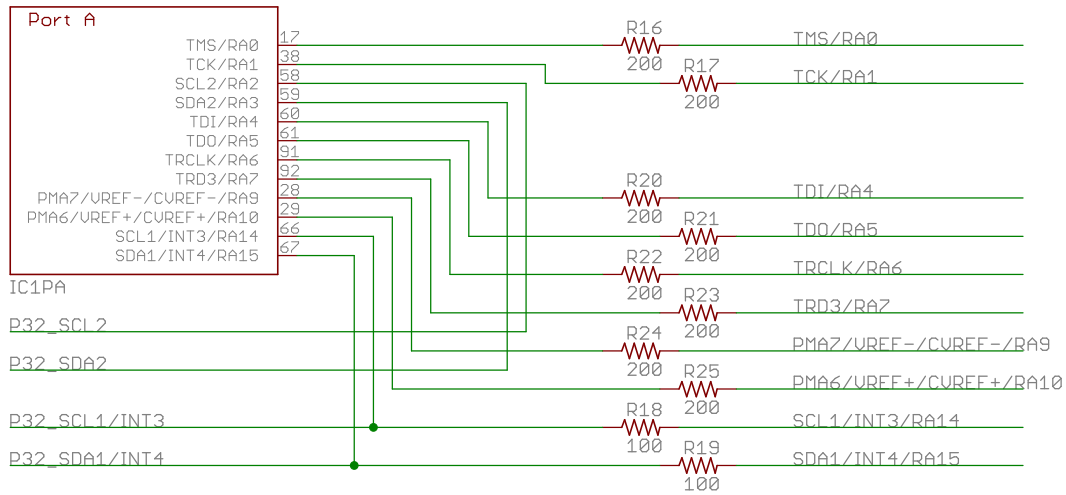
Doc#: 500-295

Date: 11/26/2013

Sheet: 4/10

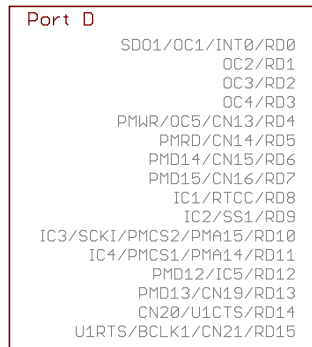


chipKIT Pro MX4 Copyright 2013, Digilent Inc.		Engineer: NEA
SHEET: On-board I/O		Author: GMA
TITLE: chipKIT Pro MX4		Rev: A.0
Doc#: 500-295	Date: 11/26/2013	Sheet: 5/10

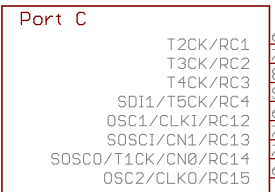
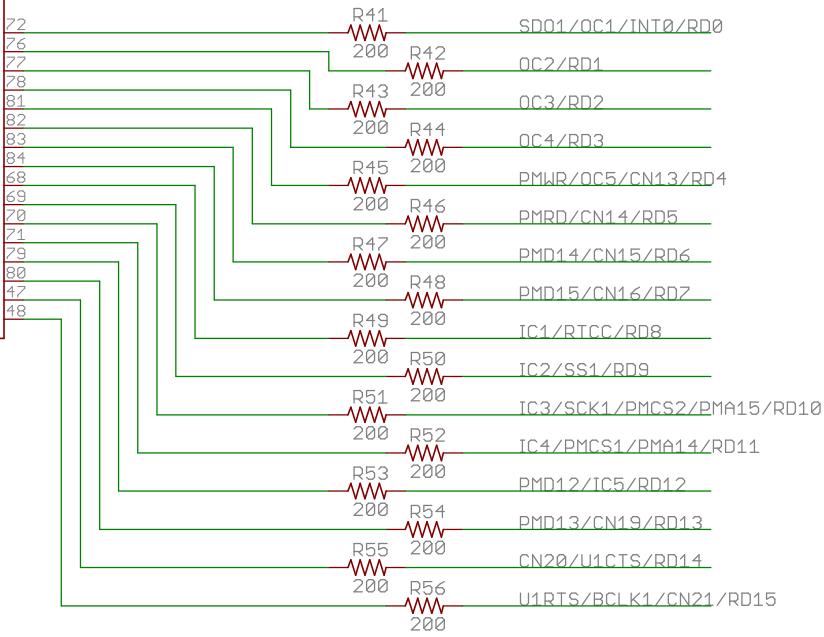


IC1: PIC32MX460F512L

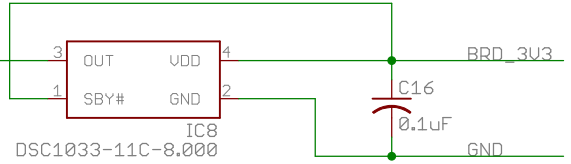
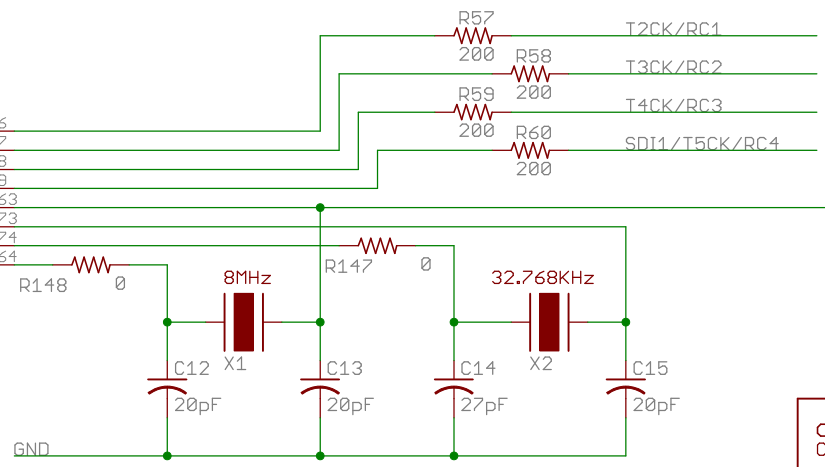
chipKIT Pro MX4 Copyright 2013, Digilent Inc.		Engineer: NEA
SHEET: PIC32 Port A, Port B, Power		Author: GMA
TITLE: chipKIT Pro MX4		Rev: A.0
Doc#: 500-295	Date: 11/26/2013	Sheet: 6/10



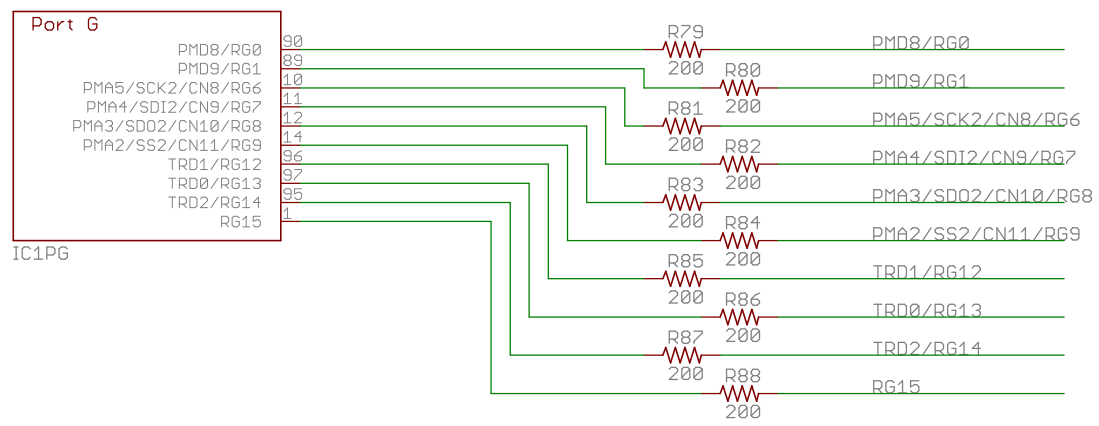
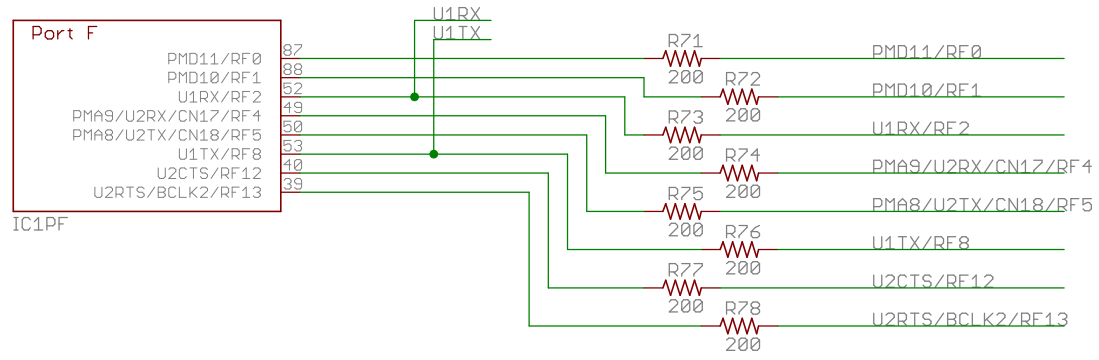
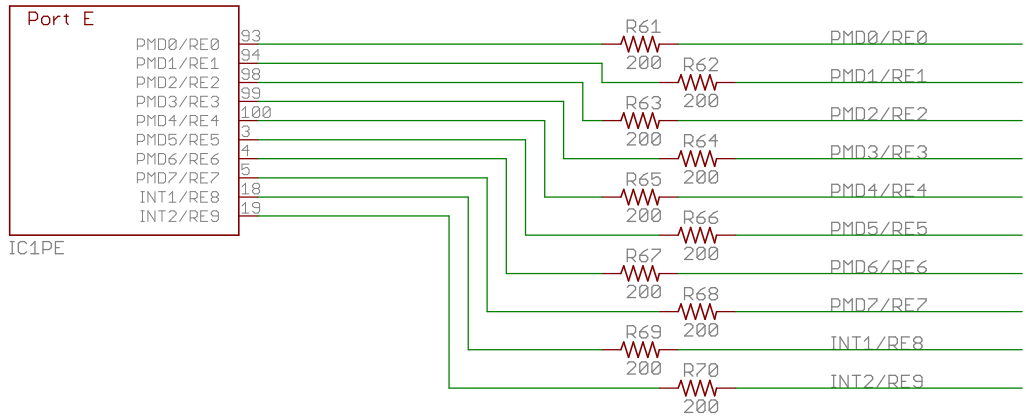
IC1PD



IC1PC



chipKIT Pro MX4 Copyright 2013, Digilent Inc.		Engineer: NEA
SHEET: PIC32 Port C and D		Author: GMA
TITLE: chipKIT Pro MX4		Rev: A.0
Doc#: 500-295	Date: 11/26/2013	Sheet: 7/10



chipKIT Pro MX4 Copyright 2013, Digilent Inc.		Engineer: NEA
SHEET: PIC32 Port E, F, and G		Author: GMA
TITLE: chipKIT Pro MX4		Rev: A.0
Doc#: 500-295	Date: 11/26/2013	Sheet: 8/10

This Seet Intentionally Left Blank

chipKIT Pro MX4
Copyright 2011, 2012, Digilent Inc.

Engineer: NEA

SHEET: USB Debug Circuit

Author: GMA

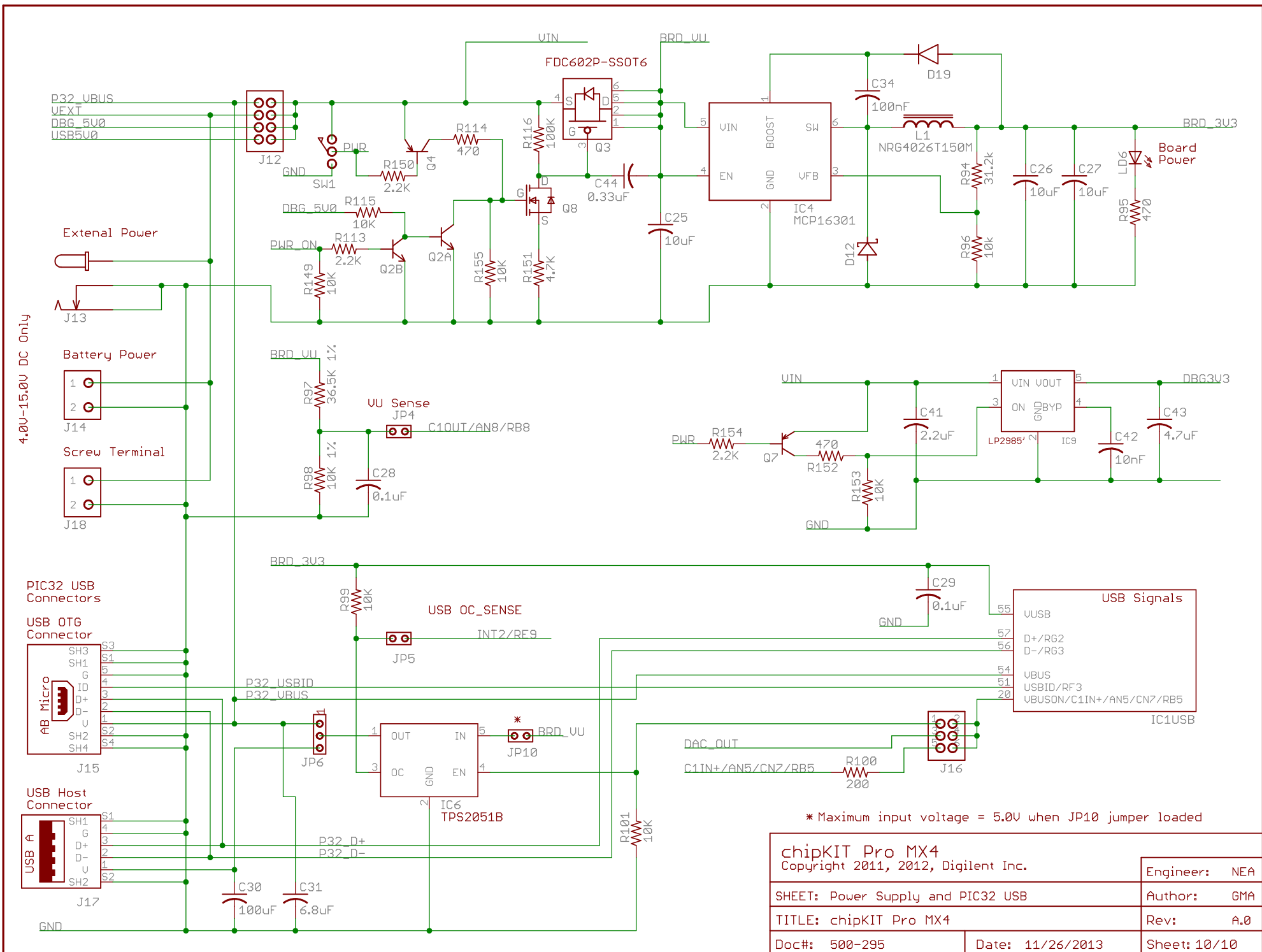
TITLE: chipKIT Pro MX4

Rev: A.0

Doc#: 500-295

Date: 11/26/2013

Sheet: 9/10



* Maximum input voltage = 5.0V when JP10 jumper loaded

chipKIT Pro MX4 Copyright 2011, 2012, Digilent Inc.		Engineer: NEA
SHEET: Power Supply and PIC32 USB		Author: GMA
TITLE: chipKIT Pro MX4		Rev: A.0
Doc#: 500-295	Date: 11/26/2013	Sheet: 10/10