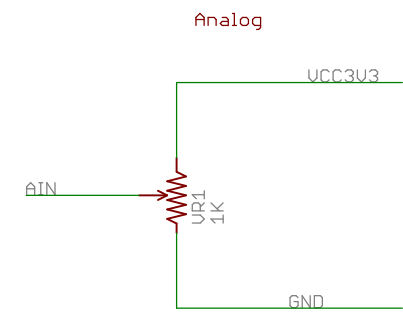
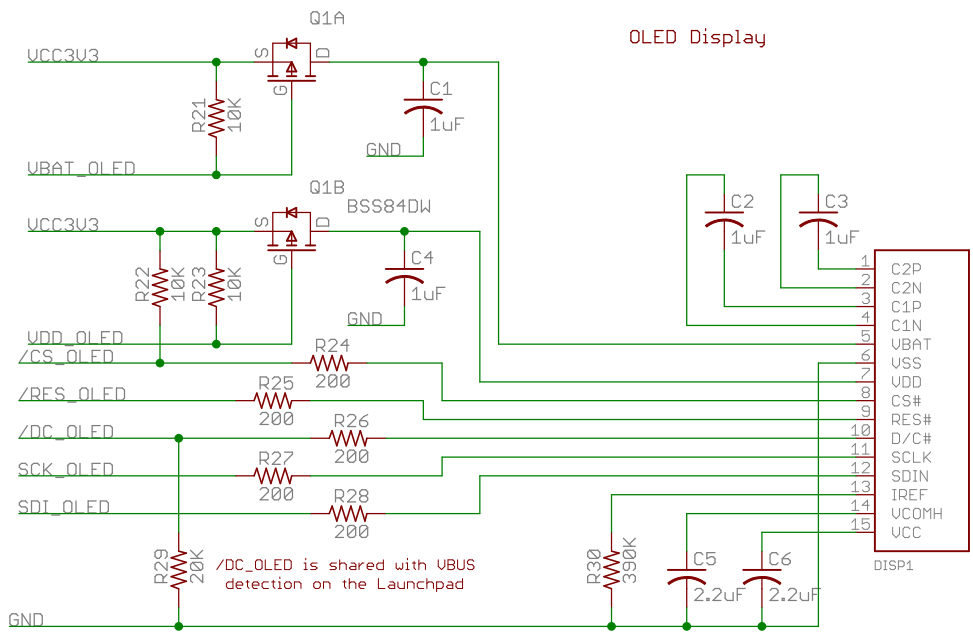
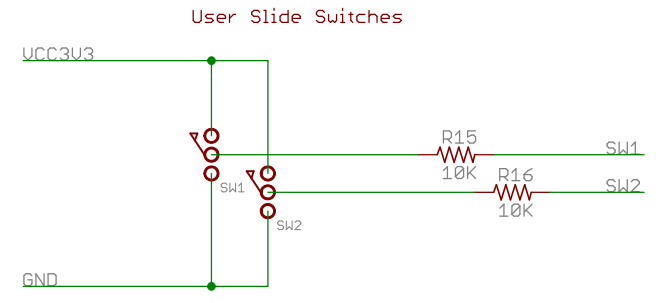
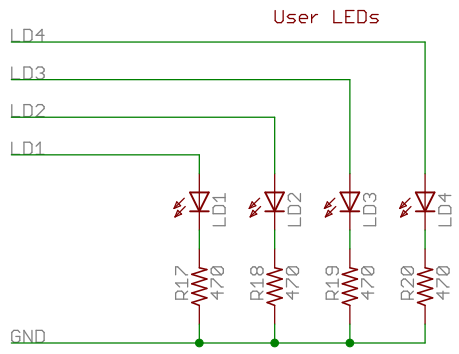
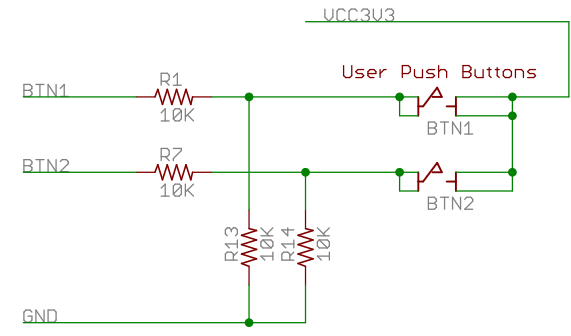
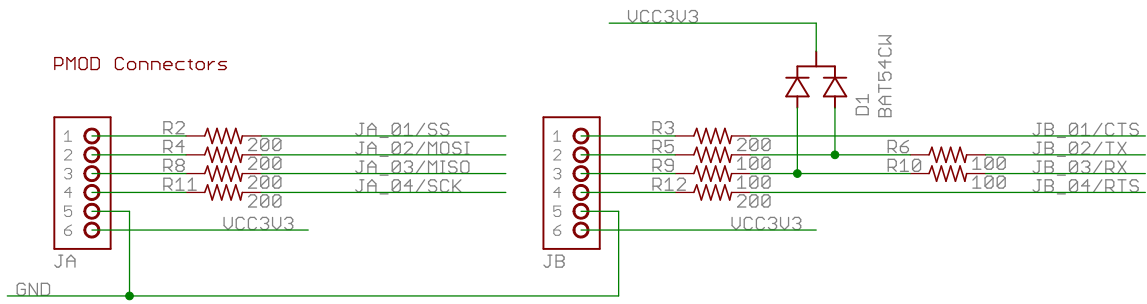
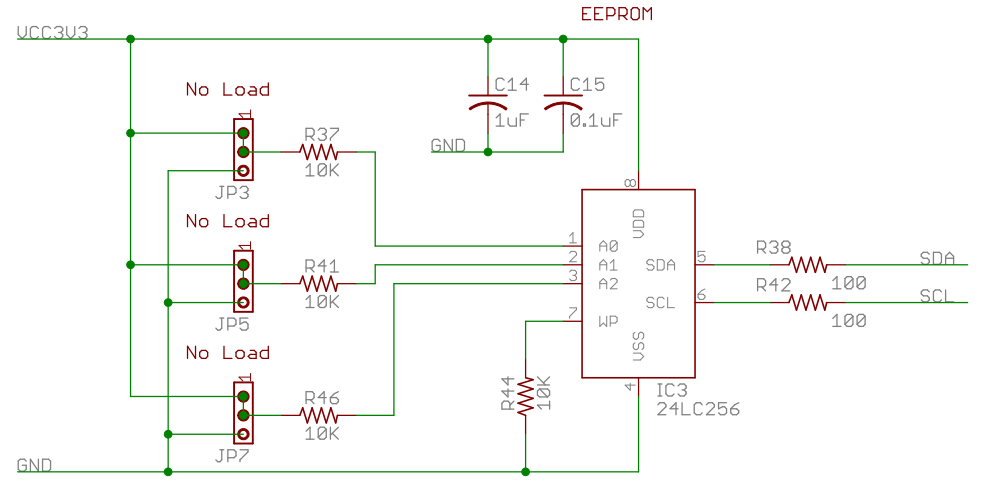
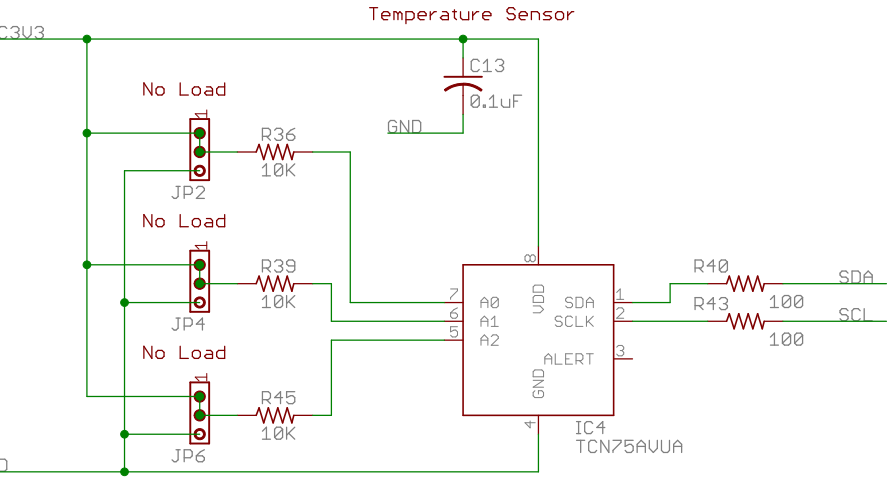
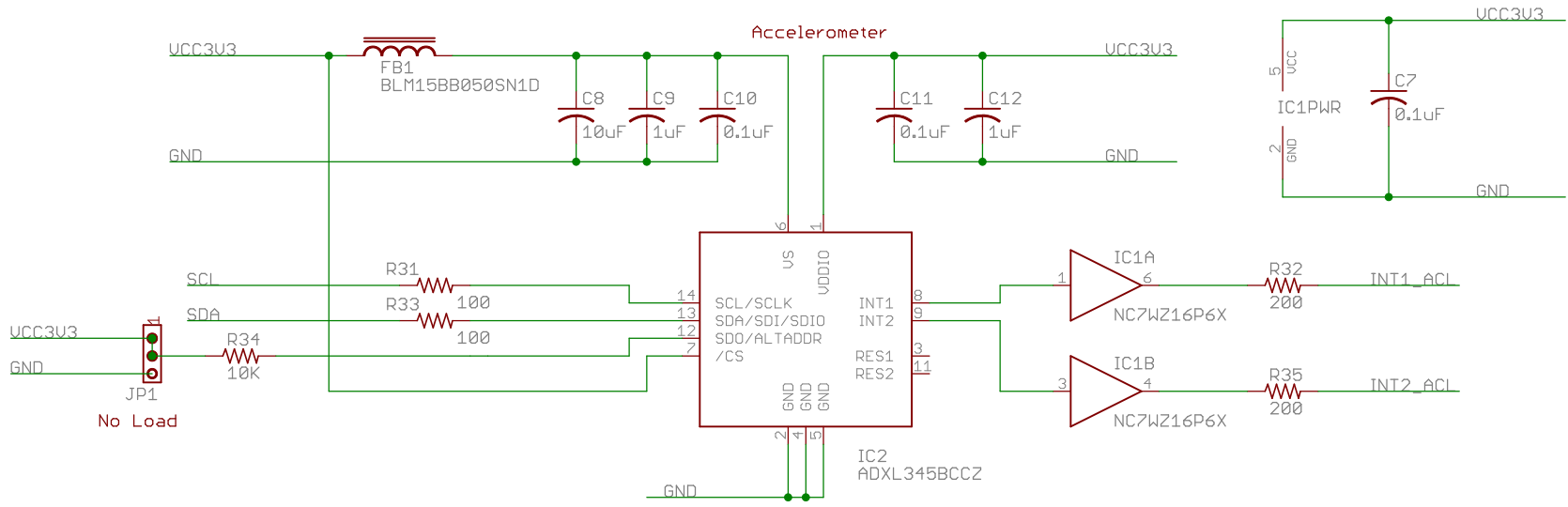


Orbit BoosterPack		Engineer: CLG
Copyright 2013, Digilent Inc.		Author: CLG
SHEET: Booster Pack Interface		Rev: A.0
TITLE: Orbit BoosterPack		Doc#: 6032-500-000
Date: 02/19/2013	Sheet: 1/3	

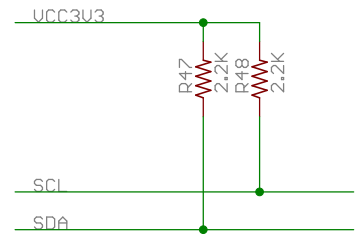
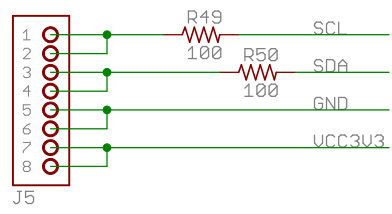


If UBUS not present R29 acts as pull-down
 If UBUS present: R29 together with R6 on the LaunchPad divides the 5V UBUS
 /DC_OLED will see a 6.66kOhm pull-up to 3.3V

Orbit BoosterPack		Engineer: CLG
Copyright 2013, Digilent Inc.		Author: CLG
SHEET: Pmod Connectors, User IOs, OLED Display		Rev: A.0
TITLE: Orbit BoosterPack		Doc#: 6032-500-000
Date: 02/19/2013		Sheet: 2/3



Digilent I2C header



Orbit BoosterPack		Engineer: CLG
Copyright 2013, Digilent Inc.		Author: CLG
SHEET: I2C Peripherals		Rev: A.0
TITLE: Orbit BoosterPack		Sheet: 3/3
Doc#: 6032-500-000	Date: 02/19/2013	