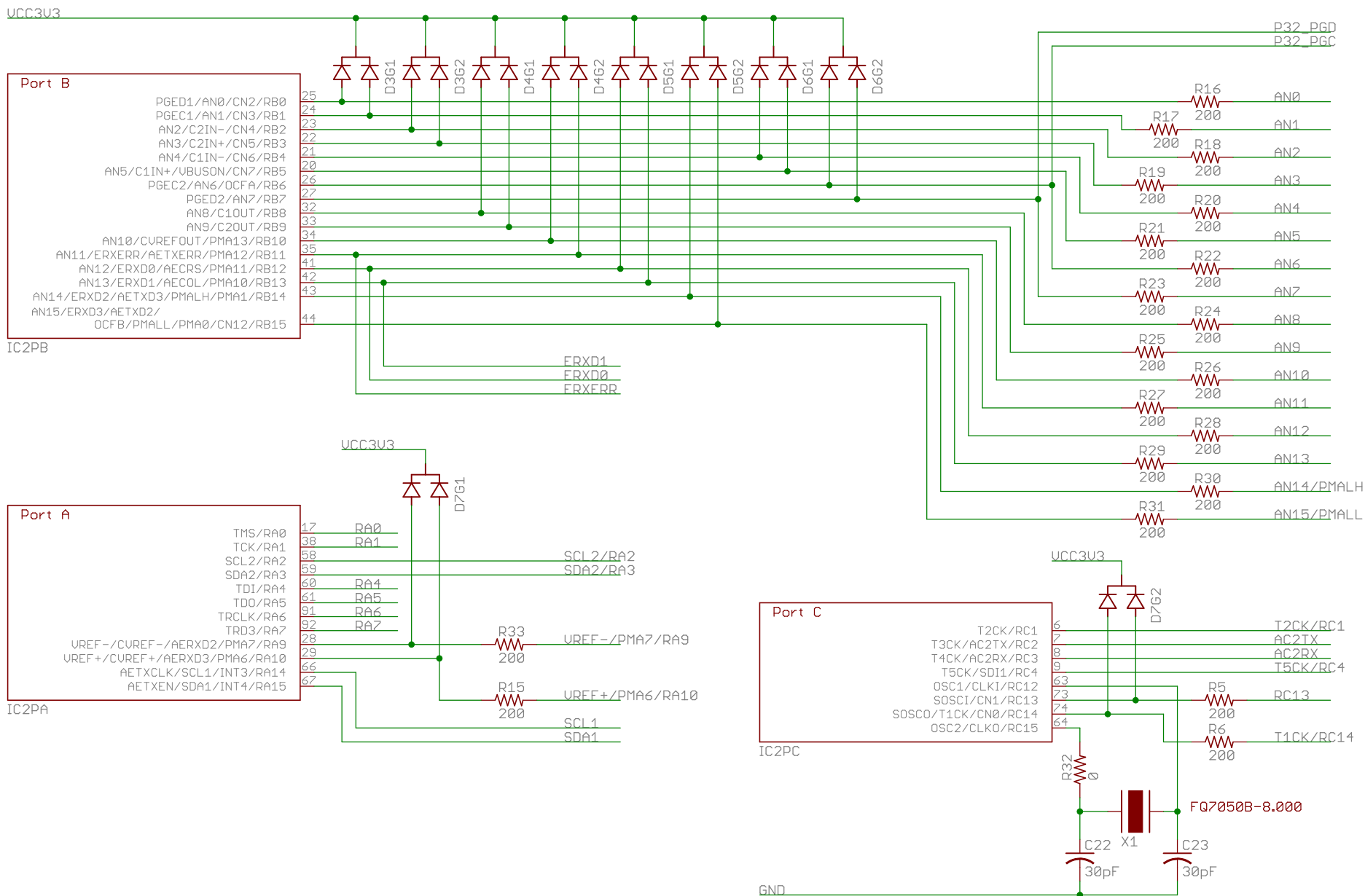


chipKIT Max32		Engineer: NEA
Copyright 2011, Digilent Inc.		Author: GMA
SHEET: USB/UART, Power Supply		Rev: D.0
TITLE: chipKIT Max32		Doc#: 500-202
Date: 1/11/2012		Sheet: 1/4

PIC32 I/O



Port B

PGED1/AN0/CN2/RB0	25
PGEC1/AN1/CN3/RB1	24
AN2/C2IN-/CN4/RB2	23
AN3/C2IN+/CN5/RB3	22
AN4/C1IN-/CN6/RB4	21
AN5/C1IN+/UBUSON/CN7/RB5	20
PGEC2/AN6/OCFA/RB6	26
PGED2/AN7/RB7	27
AN8/C1OUT/RB8	32
AN9/C2OUT/RB9	33
AN10/CVREFOUT/PMA13/RB10	34
AN11/ERXERR/AETXERR/PMA12/RB11	35
AN12/ERXD0/AECRS/PMA11/RB12	41
AN13/ERXD1/AECOL/PMA10/RB13	42
AN14/ERXD2/AETXD3/PMALH/PMA1/RB14	43
AN15/ERXD3/AETXD2/OCFB/PMALL/PMA0/CN12/RB15	44

Port A

TMS/RA0	17	RA0
TCK/RA1	38	RA1
SCL2/RA2	58	
SDA2/RA3	59	
TDI/RA4	60	RA4
TDO/RA5	61	RA5
TRCLK/RA6	91	RA6
TRD3/RA7	92	RA7
UREF-/CVREF-/AERXD2/PMA7/RA9	28	
UREF+/CVREF+/AERXD3/PMA6/RA10	29	
AETXCLK/SCL1/INT3/RA14	66	
AETXEN/SDA1/INT4/RA15	67	

Port C

T2CK/RC1	6
T3CK/AC2TX/RC2	7
T4CK/AC2RX/RC3	8
T5CK/SDI1/RC4	18
OSC1/CLK1/RC12	63
SOSCI/CN1/RC13	73
SOSCO/T1CK/CN0/RC14	74
OSC2/CLK0/RC15	64

chipKIT Max32

Copyright 2011, Digilent Inc.		Engineer: NEA
SHEET: PIC32 I/O		Author: GMA
TITLE: chipKIT Max32		Rev: D.0
Doc#: 500-202	Date: 1/11/2012	Sheet: 2/4

Note: IC2 - PIC32MX775F256L, PIC32MX775F512L, or PIC32MX795F512L

PIC32 I/O

Port D

SD01/OC1/INT0/RD0	72	OC1/RD0
OC2/RD1	76	OC2/RD1
OC3/RD2	77	OC3/RD2
OC4/RD3	78	OC4/RD3
OC5/PMWR/CN13/RD4	81	OC5/PMWR/RD4
PMRD/CN14/RD5	82	PMRD/RD5
ETXEN/PMD14/CN15/RD6	83	ETXEN/RD6
ETXCLK/PMD15/CN16/RD7	84	RD7
RTCC/EMDIO/AEMDIO/IC1/RD8	68	FMDIO
SS1/IC2/RD9	69	RD9
SCK1/IC3/PMCS2/PMA15/RD10	70	PMCS2
EMDC/AEMDC/IC4/PMCS1/PMA14/RD11	71	EMDC/PMCS1
ETXD2/IC5/PMD12/RD12	79	IC5
ETXD3/PMD13/CN19/RD13	80	RD13
AETXD0/SS1A/U1BRX/U1ACTS/CN20/RD14	47	U1BRX
AETXD1/SCK1A/U1BTX/U1ARTS/CN21/RD15	48	U1BTX

IC2PD

Port E

PMD0/RE0	93	PMD0
PMD1/RE1	94	PMD1
PMD2/RE2	98	PMD2
PMD3/RE3	99	PMD3
PMD4/RE4	100	PMD4
PMD5/RE5	3	PMD5
PMD6/RE6	4	PMD6
PMD7/RE7	5	PMD7
AERXD0/INT1/RE8	18	INT1/RE8
AERXD1/INT2/RE9	19	INT2/RE9

IC2PE

Port F

C1RX/ETXD1/PMD11/RF0	87	FTXD1
C1TX/ETXD0/PMD10/RF1	88	FTXD0
SDA1A/SDI1A/U1ARX/RF2	52	U1ARX
USBID/RF3	51	USBID
SDA3A/SDI3A/U3ARX/PMA9/CN17/RF4	49	U3ARX
SCL3A/SDO3A/U3ATX/PMA8/CN18/RF5	50	U3ATX
SCL1A/SDO1A/U1ATX/RF8	53	U1ATX
AC1RX/SS3A/U3BRX/U3ACTS/RF12	40	U3BRX/AC1RX/RF12
AC1TX/SCK3A/U3BTX/U3ARTS/RF13	39	U3BTX/AC1TX/RF13

IC2PF

Port G

C2RX/PMD8/RG0	90	RG0
C2TX/ETXERR/PMD9/RG1	89	RG1
D+/RG2	57	USBD+
D-/RG3	56	USBD-
ECOL/SCK2A/U2BTXU2ARTS/PMA5/CN8/RG6	10	PMA5/SCK2A/RG6
ECRS/SDA2A/SDI2A/U2ARX/PMA4/CN9/RG7	11	PMA4/SDI2A/RG7
ERXD0/AERXD0/ECRS0U/AECRS0U/ SCL2A/SDO2A/U2ATX/PMA3/CN10/RG8	12	PMA3/ECRS0U/SDO2A/RG8
ERXCLK/AERXCLK/EREFCLK/AEREFCLK/ SS2A/U2BRX/U2ACTS/PMA2/CN11/RG9	14	PMA2/EREFCLK/SS2A/RG9
TRD1/RG12	96	RG12
TRD0/RG13	97	RG13
TRD2/RG14	95	RG14
AERXERR/RG15	1	RG15

IC2PG

chipKIT Max32

Copyright 2011, Digilent Inc.

Engineer: NEA

SHEET: PIC32 I/O

Author: GMA

TITLE: chipKIT Max32

Rev: D.0

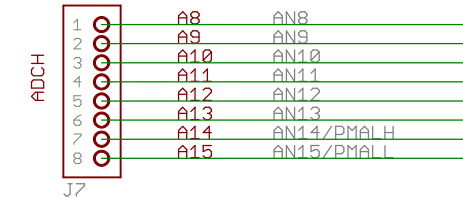
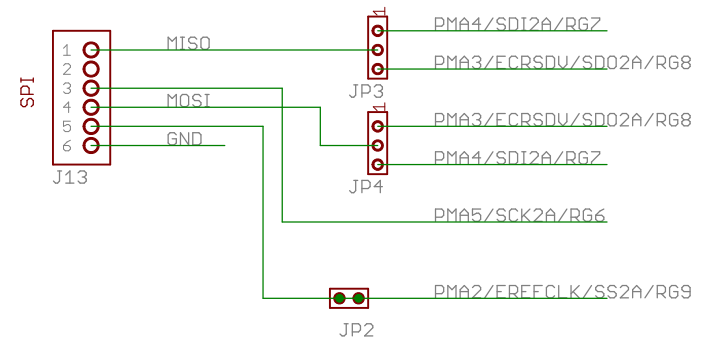
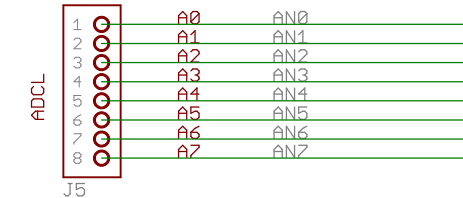
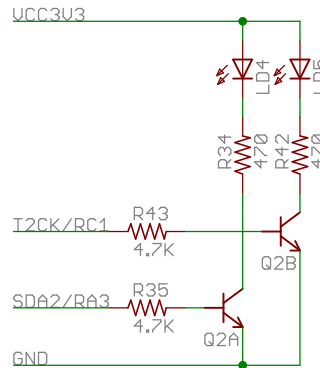
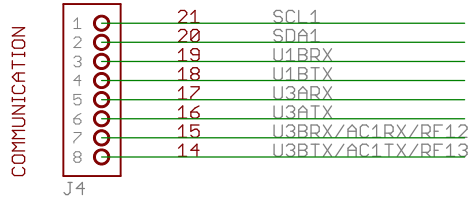
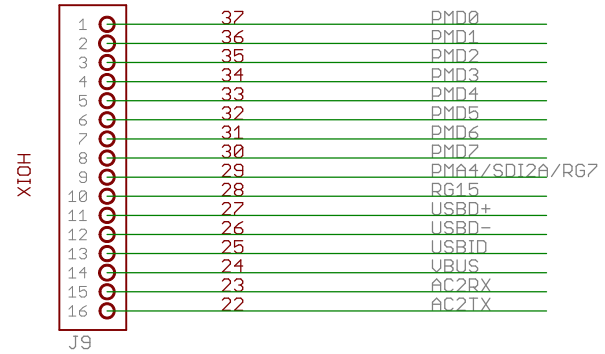
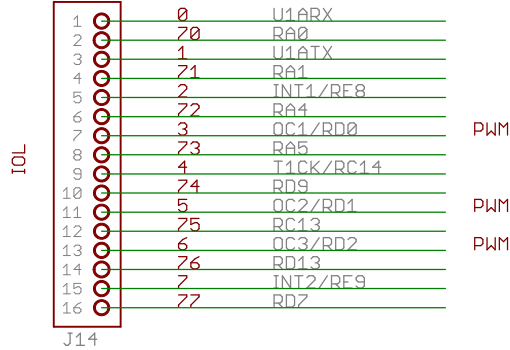
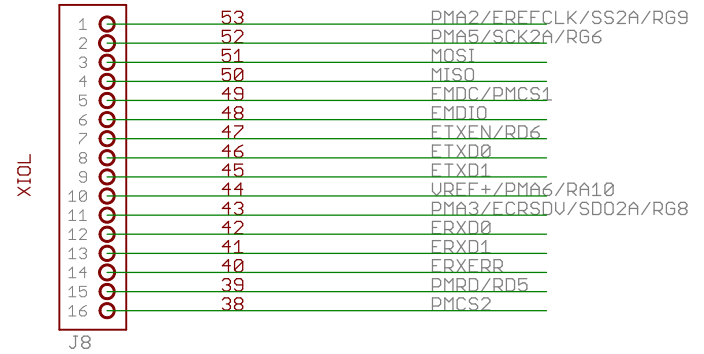
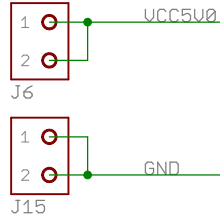
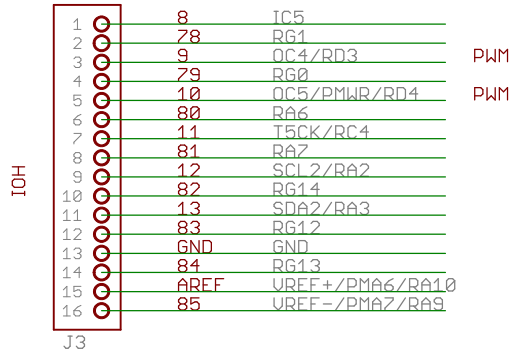
Doc#: 500-202

Date: 1/11/2012

Sheet: 3/4

SILK

I/O Connectors



chipKIT Max32

Copyright 2011, Digilent Inc.

Engineer: NEA

SHEET: I/O Connectors

Author: GMA

TITLE: chipKIT Max32

Rev: D.0

Doc#: 500-202

Date: 1/11/2012

Sheet: 4/4