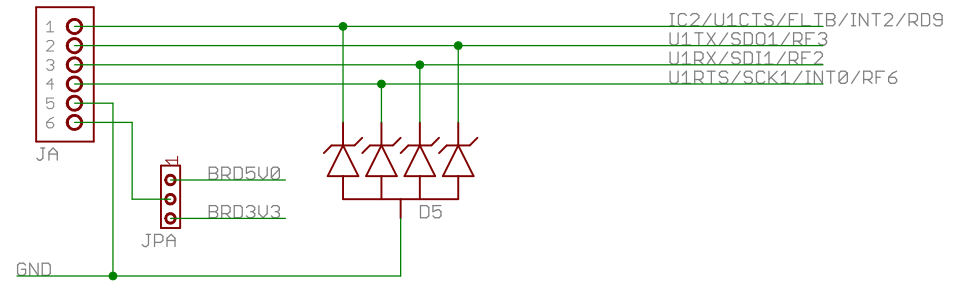
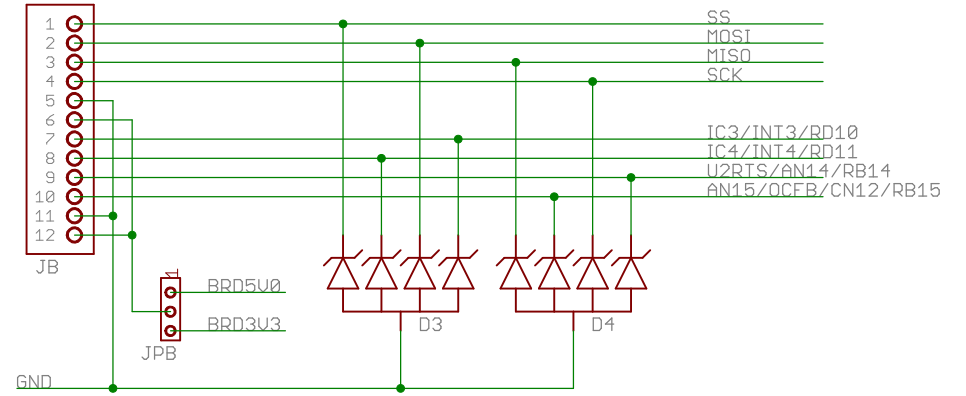
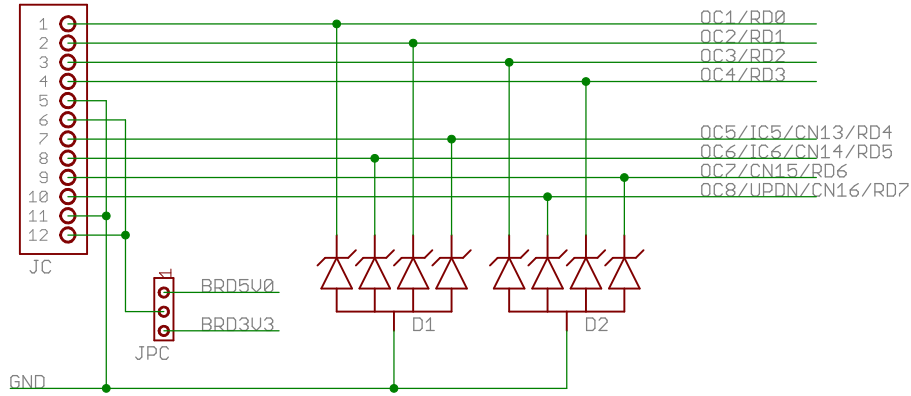


Pmod Connectors



Cerebot MC7

Copyright 2010 Digilent Inc.

Engineer: NEA

SHEET: Pmod Connectors

Author: GMA

TITLE: Cerebot MC7

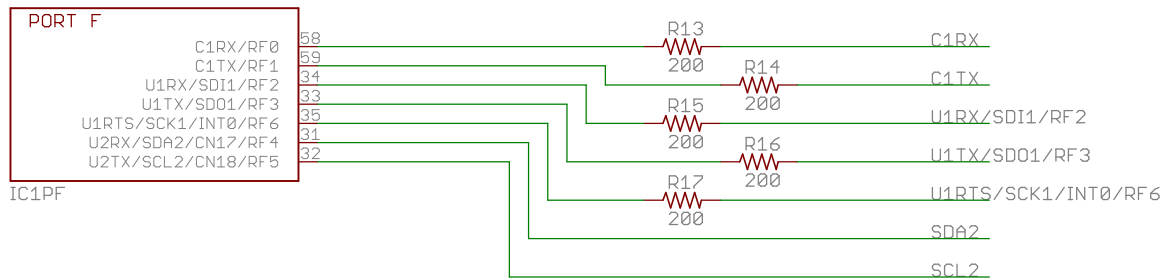
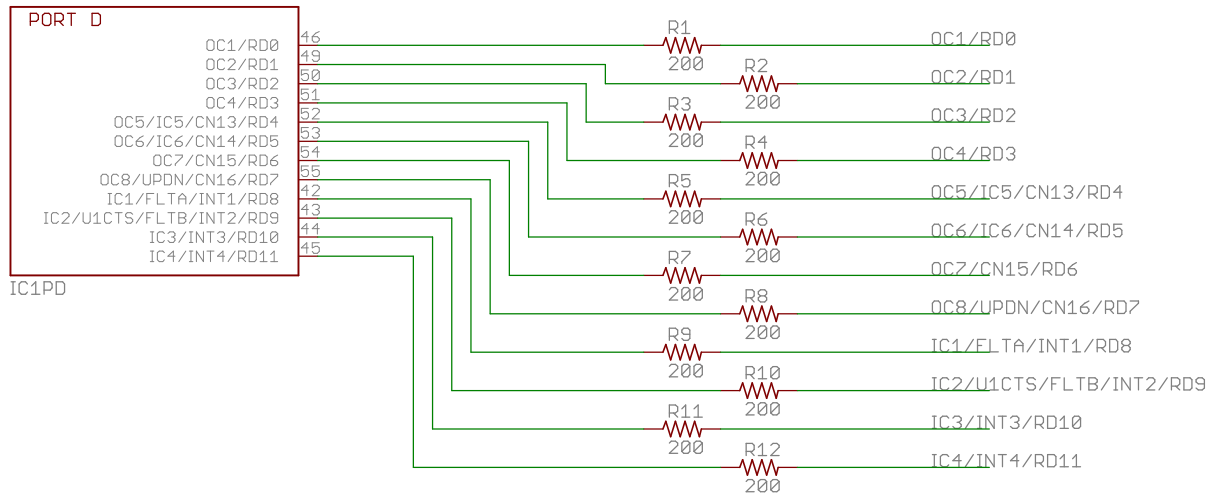
Rev: F

Doc#: 500-185

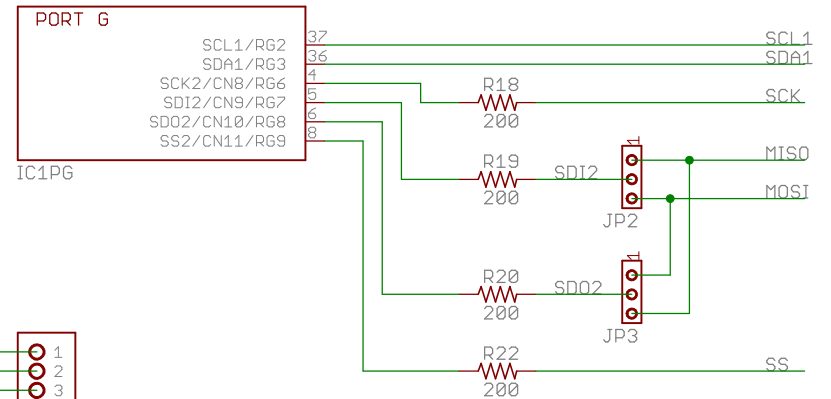
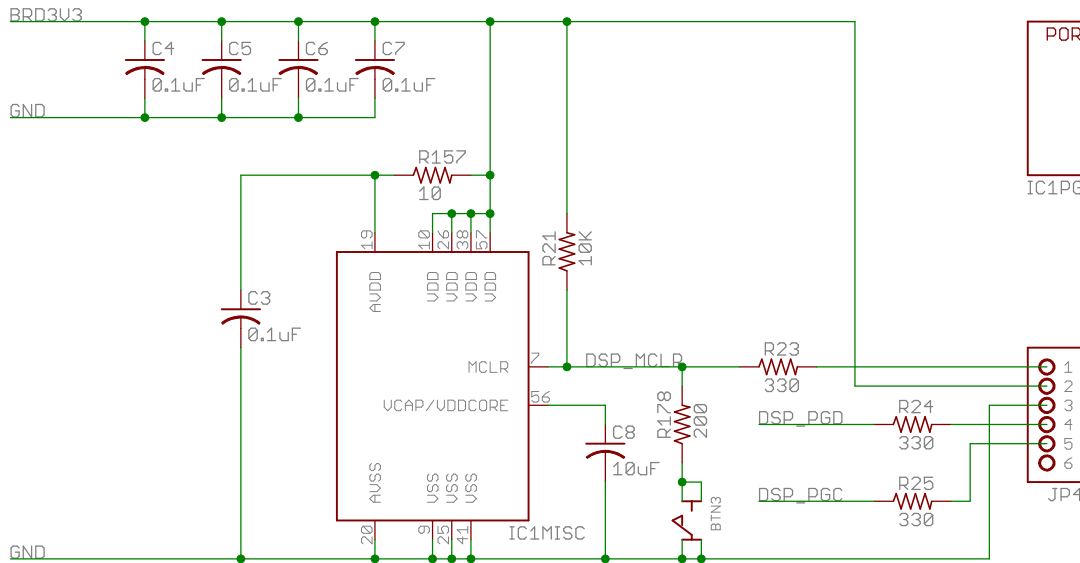
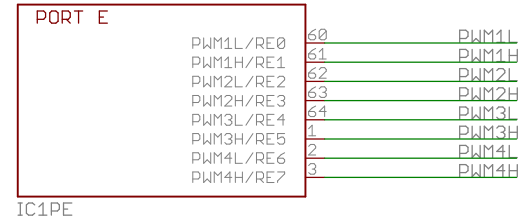
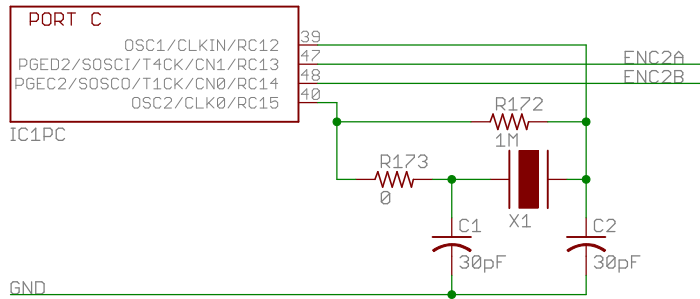
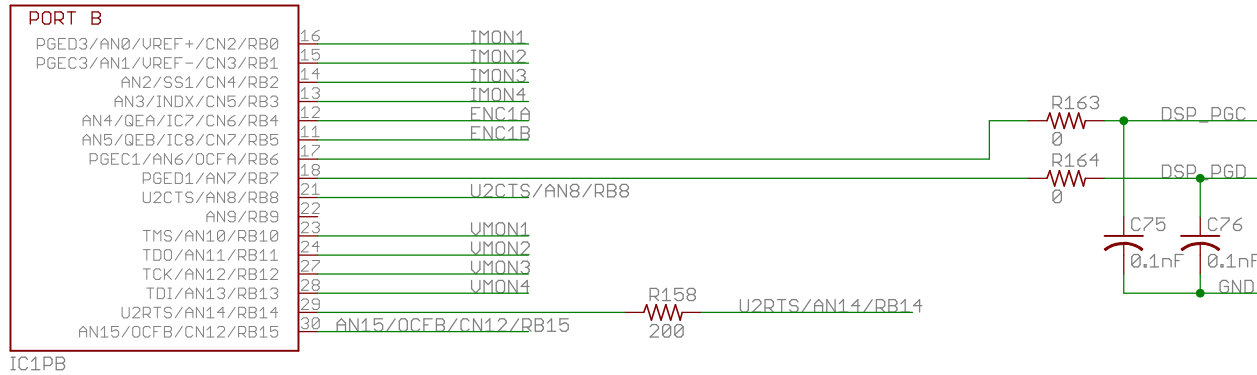
Date: 1/31/2011

Sheet: 1/8





Cerebot MC7		Engineer: NEA
Copyright 2010 Digilent Inc.		Author: GMA
SHEET: dsPIC33FJ128MC106 Connections		Rev: F
TITLE: Cerebot MC7		Doc#: 500-185
Date: 1/31/2011	Sheet: 2/8	



Cerebot MC7

Copyright 2010 Digilent Inc.

Engineer: NEA

SHEET: dsPIC33FJ128MC106 Connections

Author: GMA

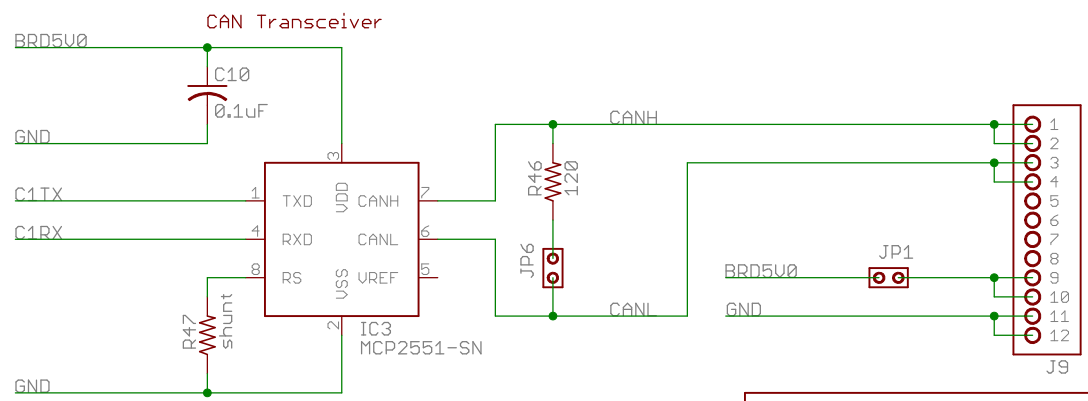
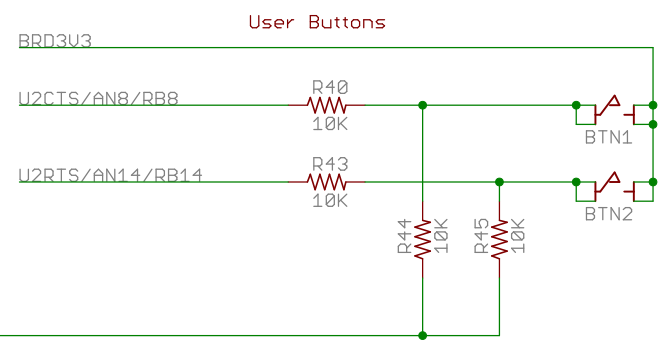
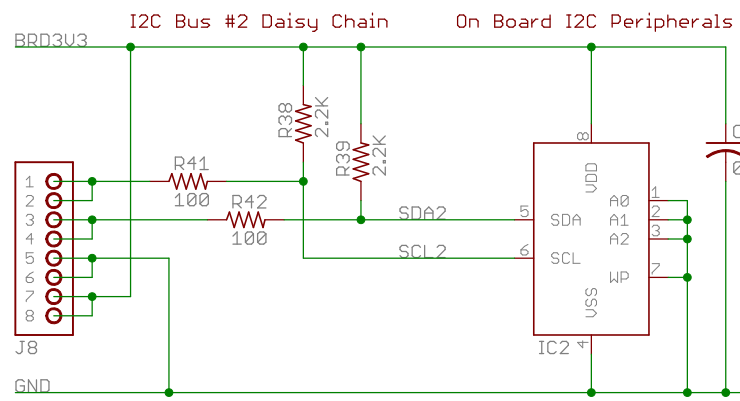
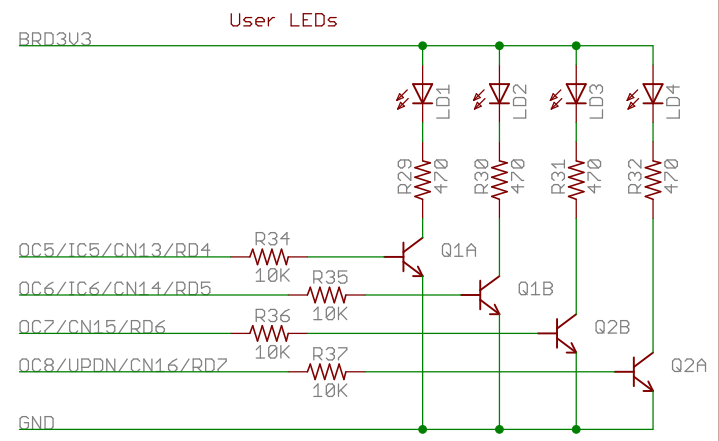
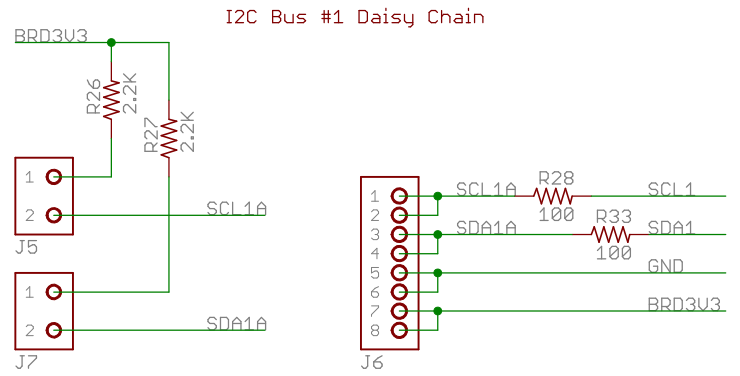
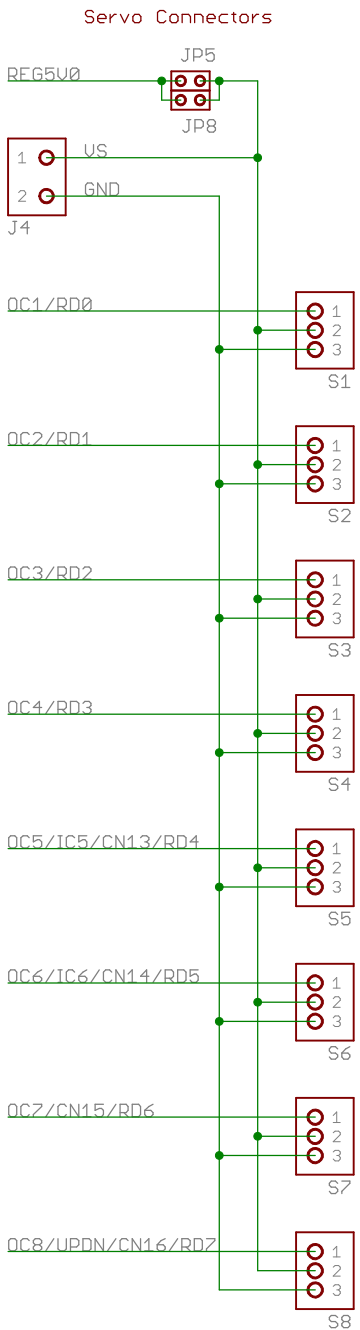
TITLE: Cerebot MC7

Rev: F

Doc#: 500-185

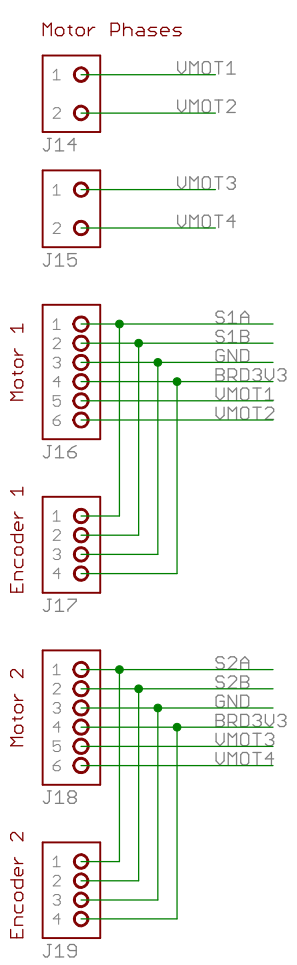
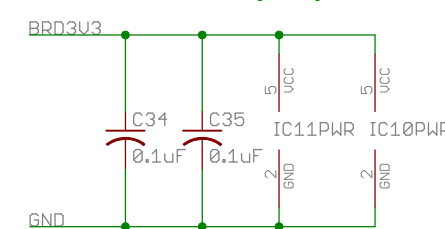
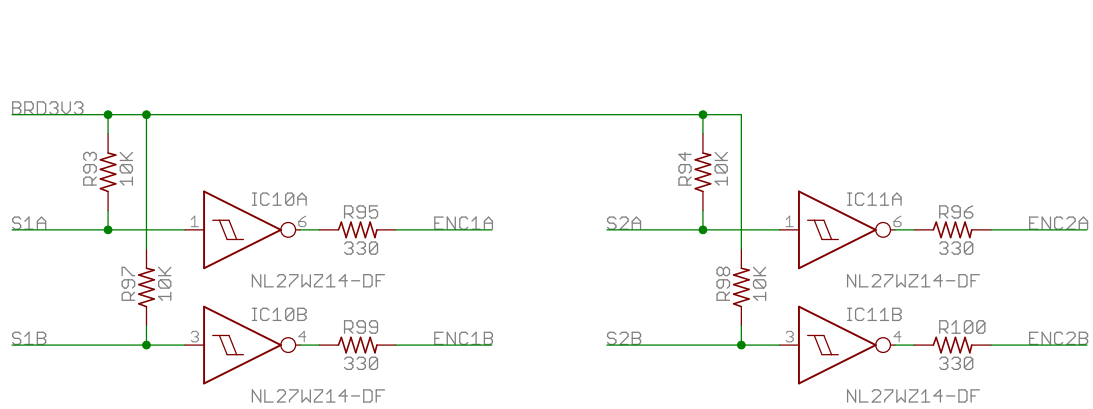
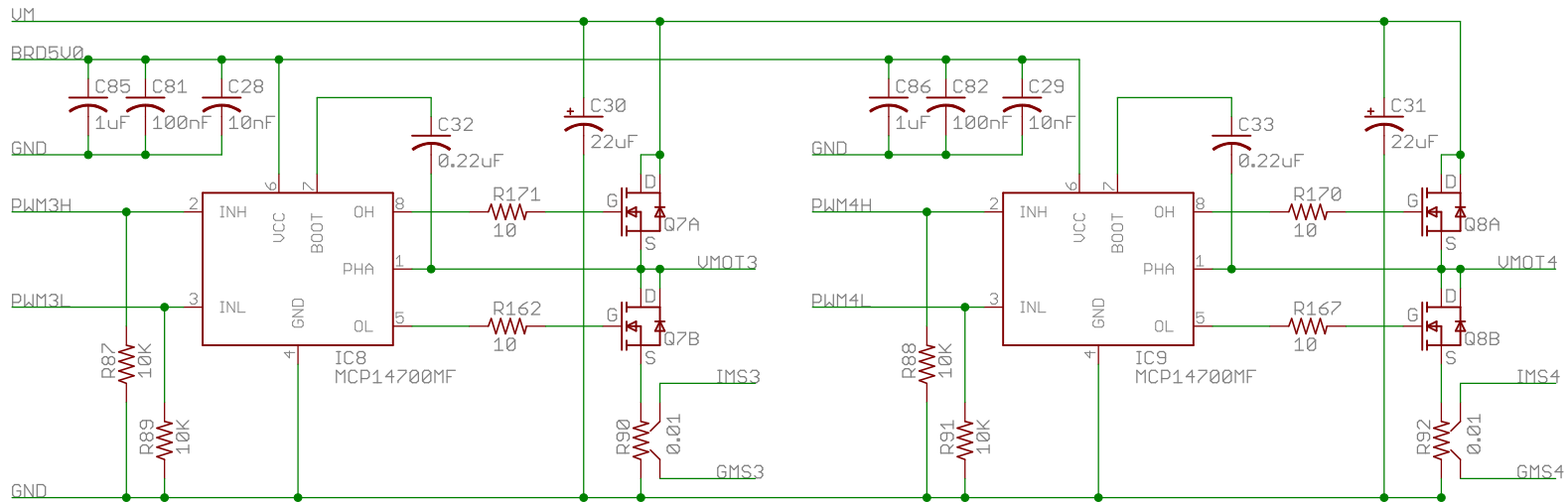
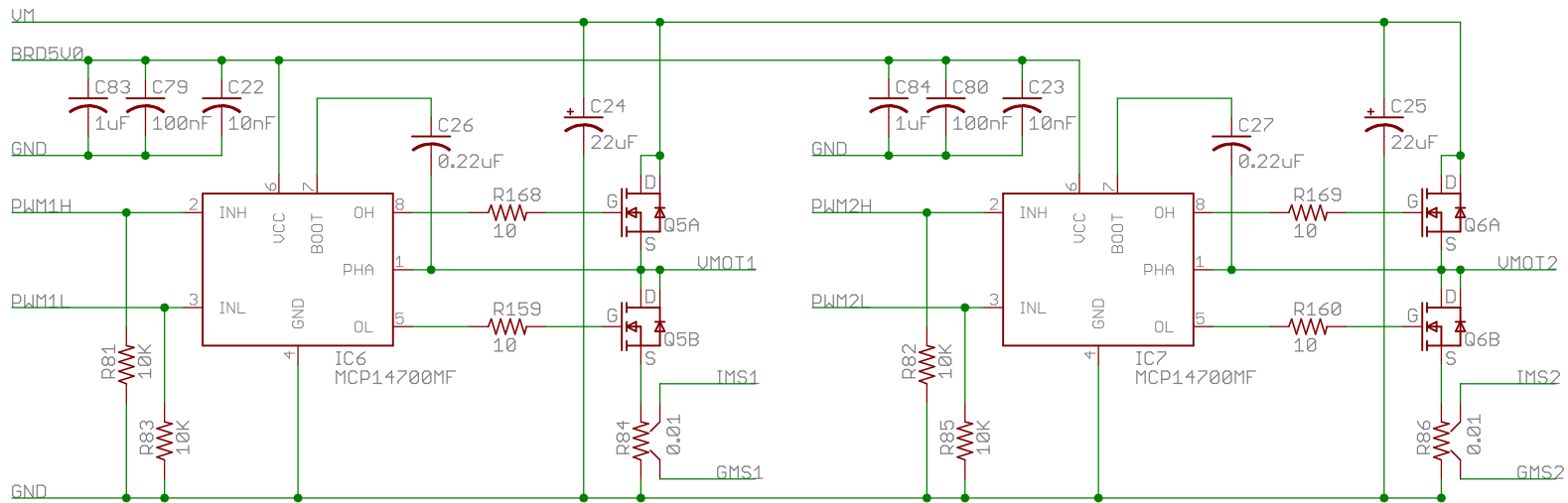
Date: 1/31/2011

Sheet: 3/8

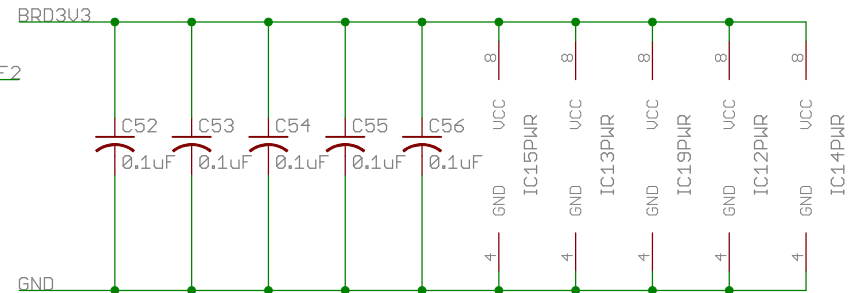
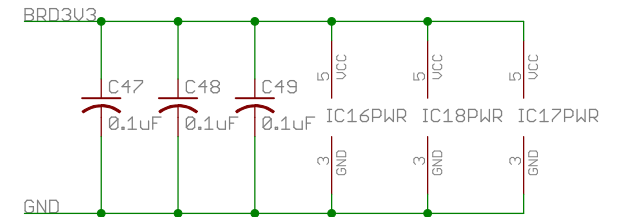
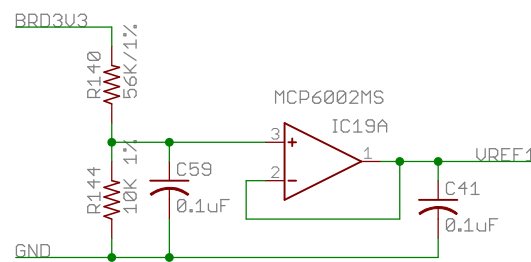
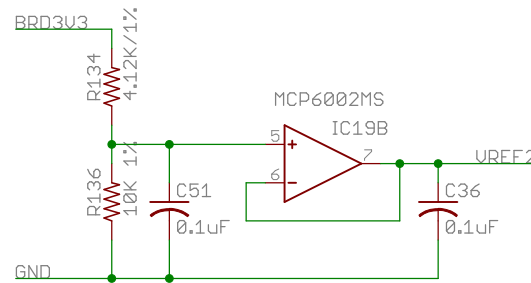
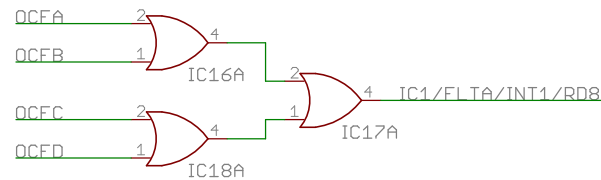
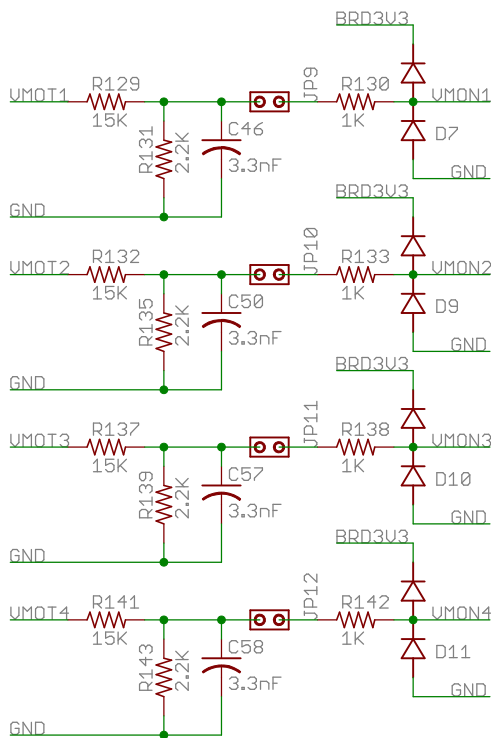
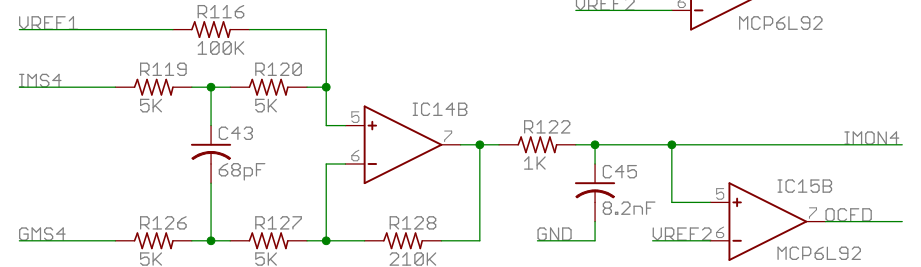
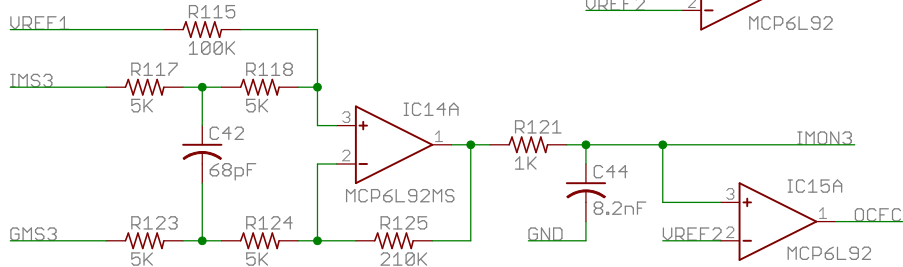
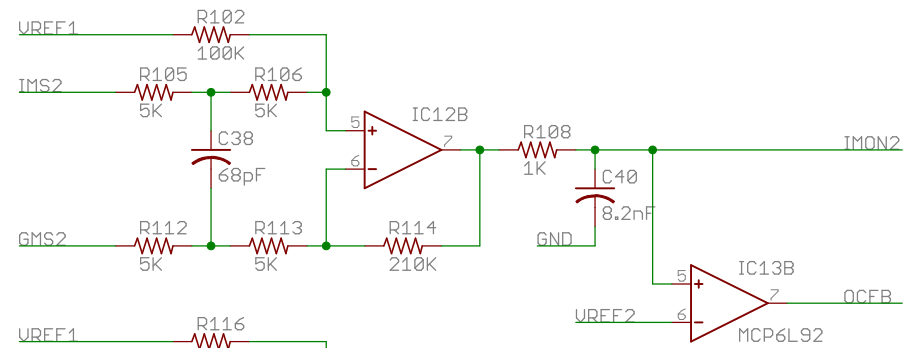
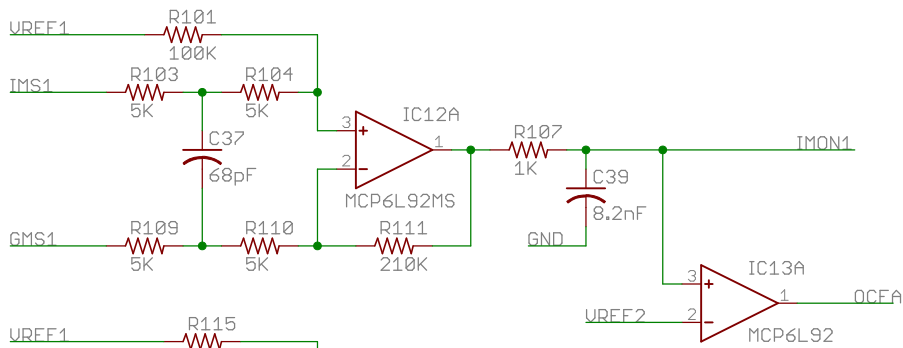


Cerebot MC7		Engineer: NEA
Copyright 2010 Digilent Inc.		Author: GMA
SHEET: Misc. Input/Output	Rev: F	
Doc#: 500-185	Date: 1/31/2011	Sheet: 4/8

This page intentionally left blank.



Cerebot MC7		Engineer: NEA
Copyright 2010 Digilent Inc.		Author: GMA
SHEET: Motor Drive Bridges		Rev: F
TITLE: Cerebot MC7		Date: 1/31/2011
Doc#: 500-185	Date: 1/31/2011	Sheet: 6/8



Cerebot MC7

Copyright 2010 Digilent Inc.

SHEET: Motor Current and Voltage Feedback

TITLE: Cerebot MC7

Doc#: 500-185

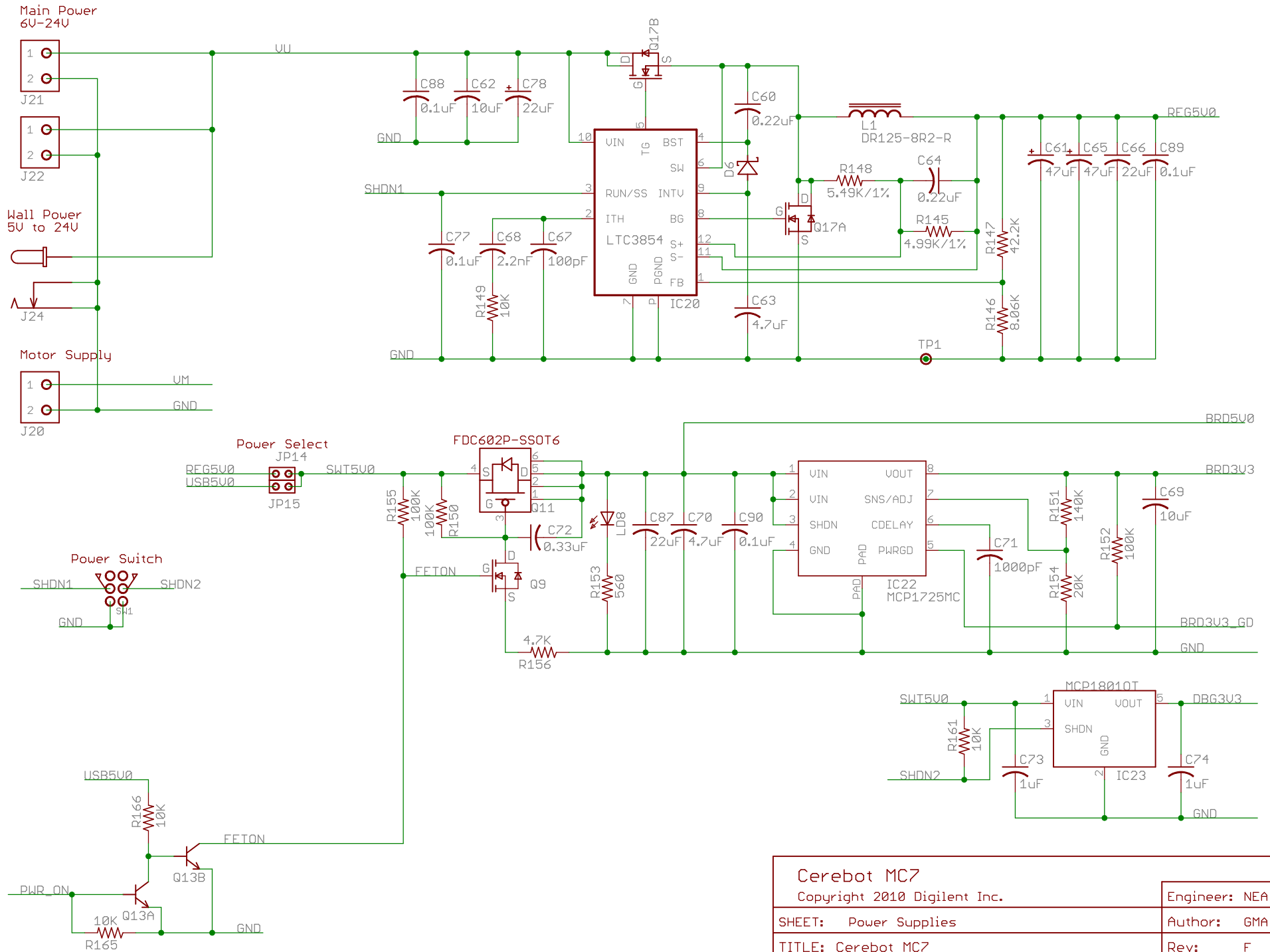
Engineer: NEA

Author: GMA

Rev: F

Date: 1/31/2011

Sheet: 7/8



Cerebot MC7		Engineer: NEA
Copyright 2010 Digilent Inc.		Author: GMA
SHEET: Power Supplies		Rev: F
TITLE: Cerebot MC7		Date: 1/31/2011
Doc#: 500-185	Date: 1/31/2011	Sheet: 8/8