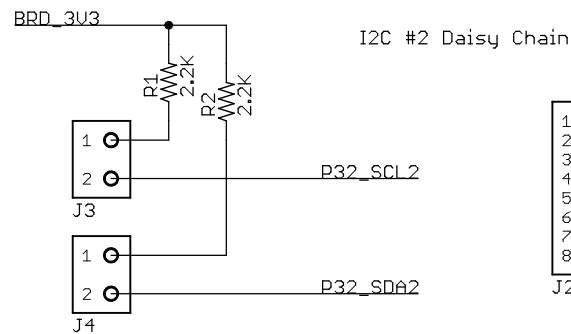
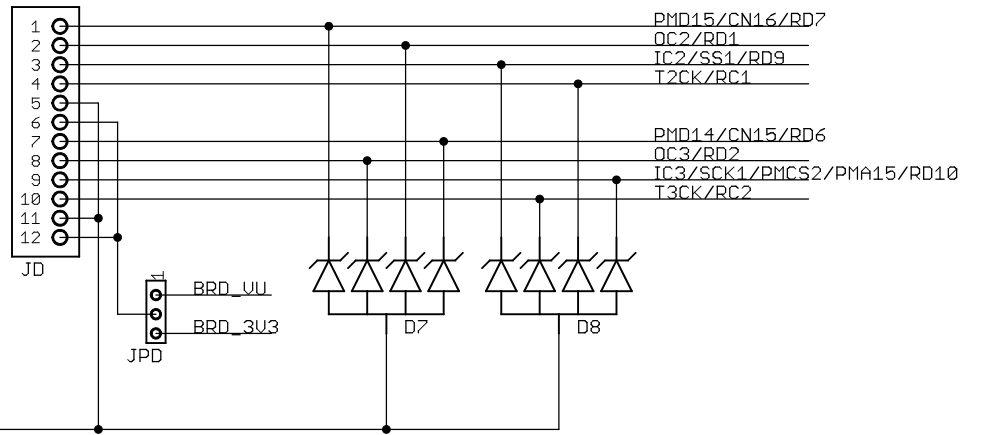
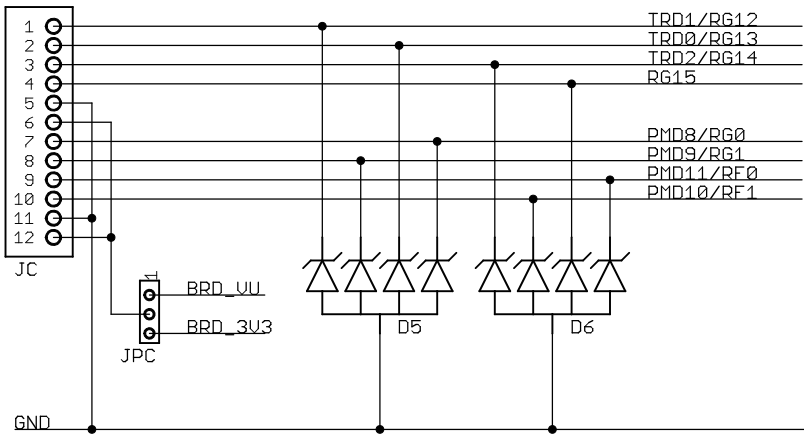
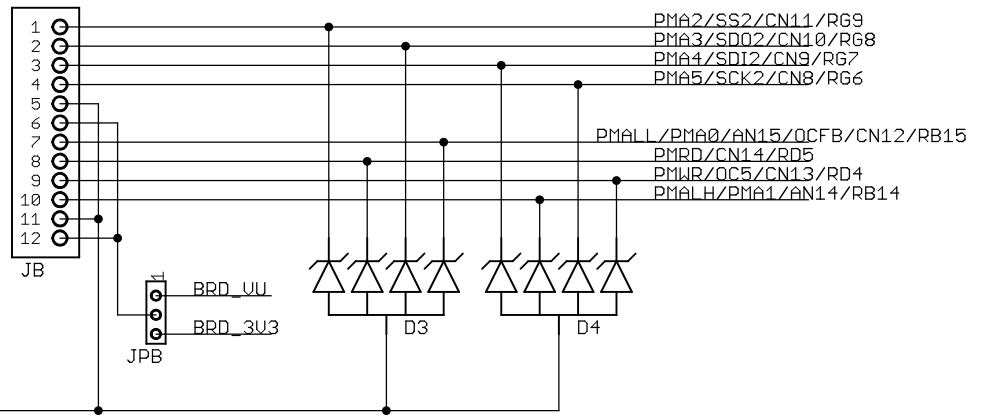
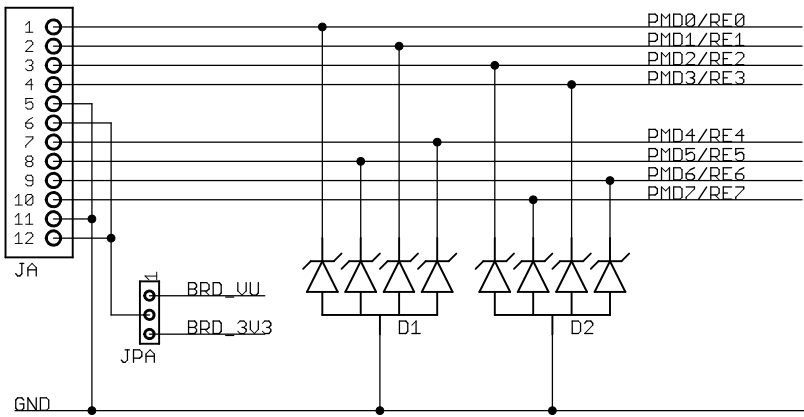
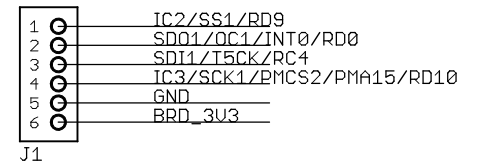


Pmod Connectors



SPI Port #1 Connector



Digilent Inc.

Cerebot 32MX4
 Copyright 2009, Digilent Inc.

Engineer: NEA

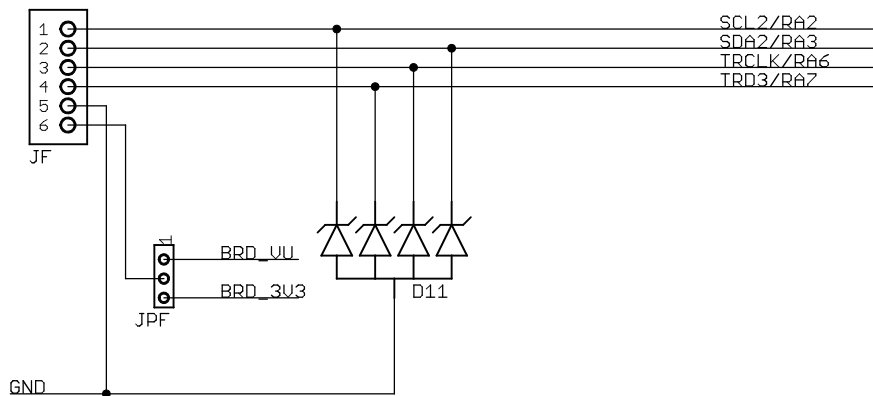
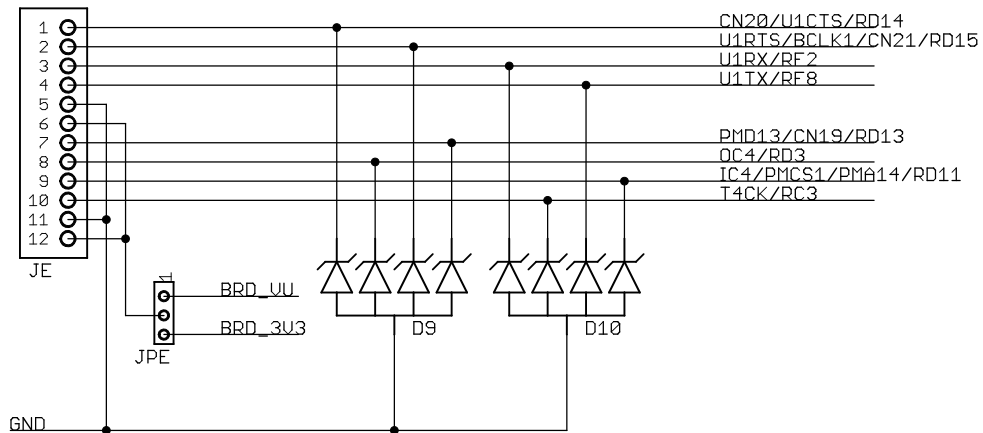
SHEET: Pmod Connectors

Author: NEA

TITLE: Cerebot 32MX4

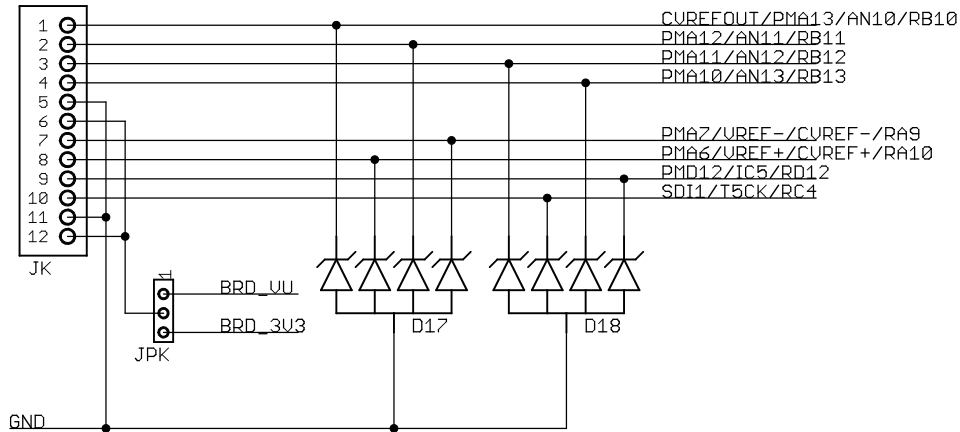
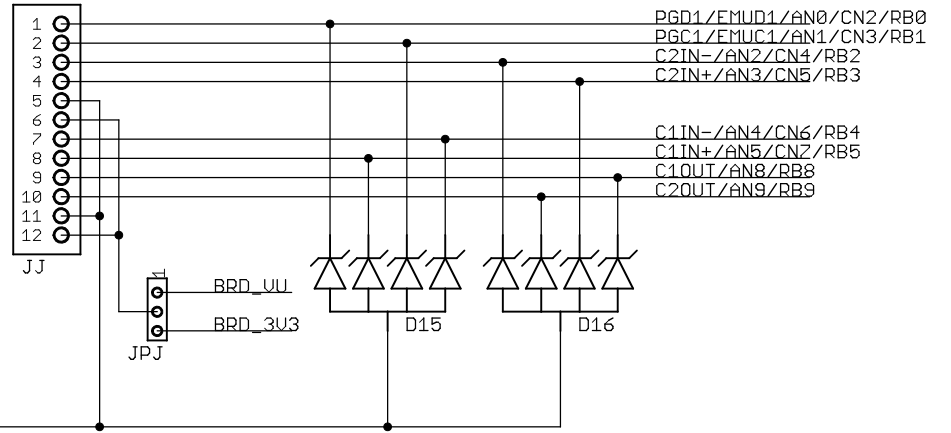
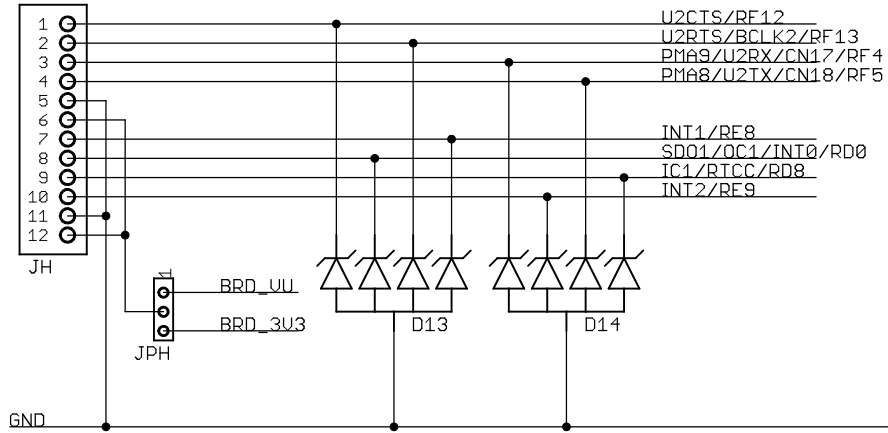
Rev: D

Pmod Connectors



Cerebot 32MX4 Copyright 2009, Digilent Inc.		Engineer: NEA
SHEET: Pmod Connectors		Author: NEA
TITLE: Cerebot 32MX4		Rev: D
Doc#: 500-173	Date: 07/31/2009	Sheet: 2/9

Pmod Connectors



Cerebot 32MX4
 Copyright 2009, Digilent Inc.

Engineer: NEA

SHEET: Pmod Connectors

Author: NEA

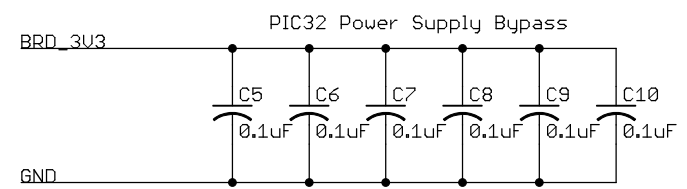
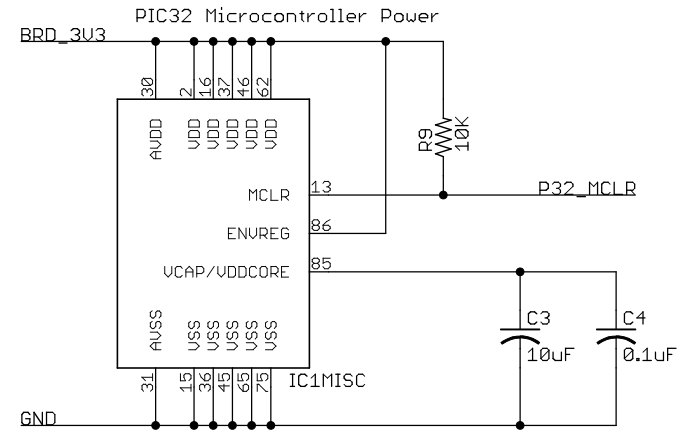
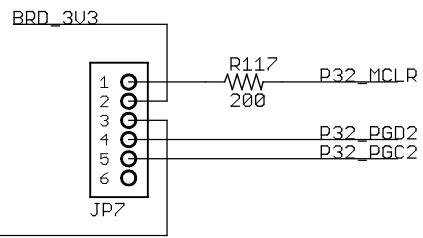
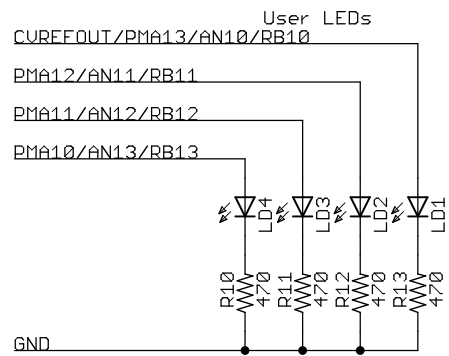
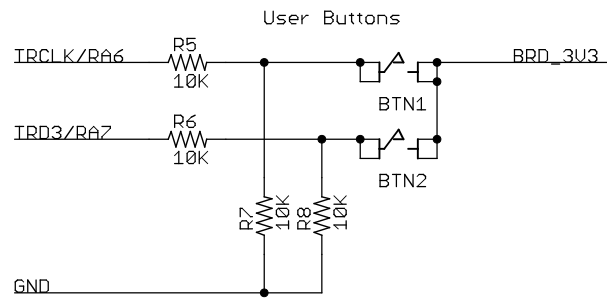
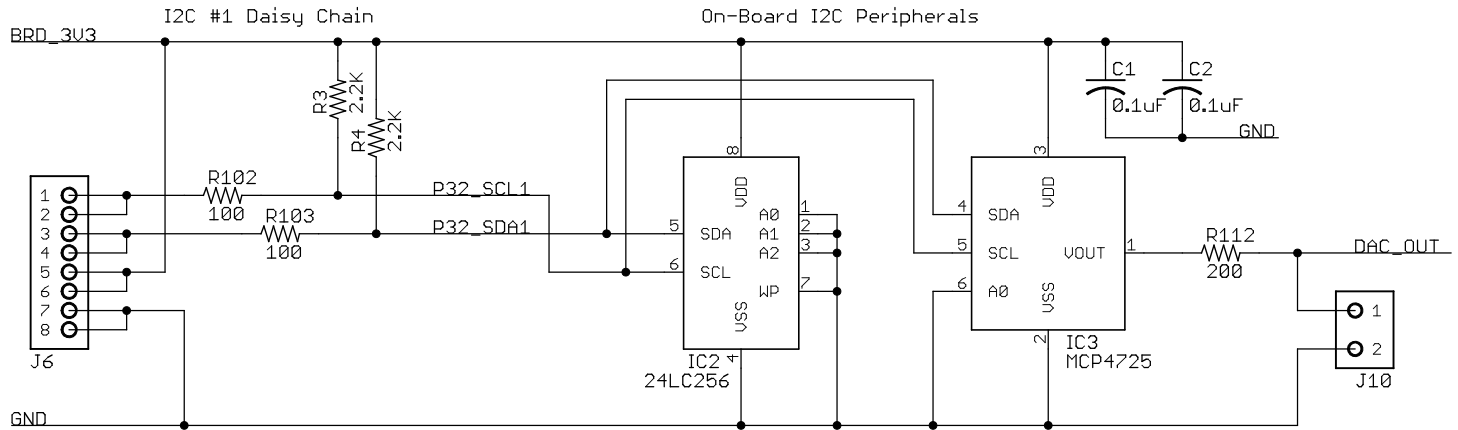
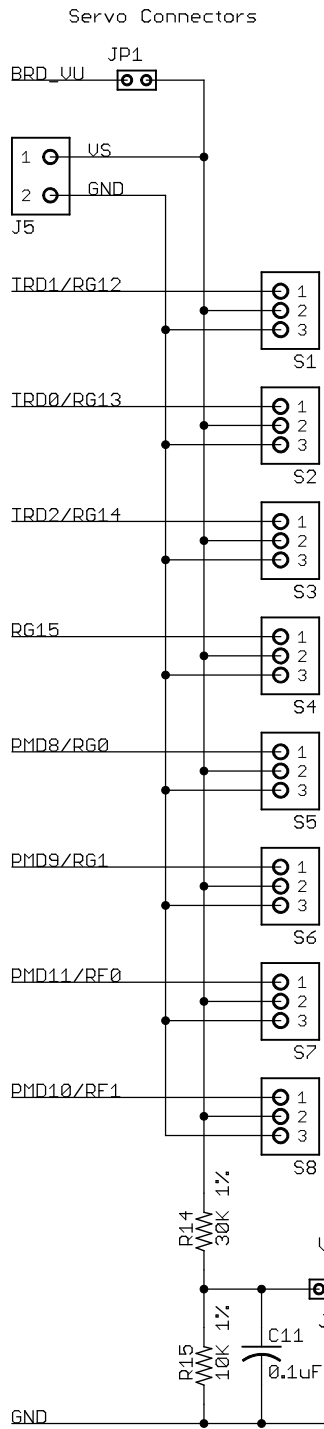
TITLE: Cerebot 32MX4

Rev: D

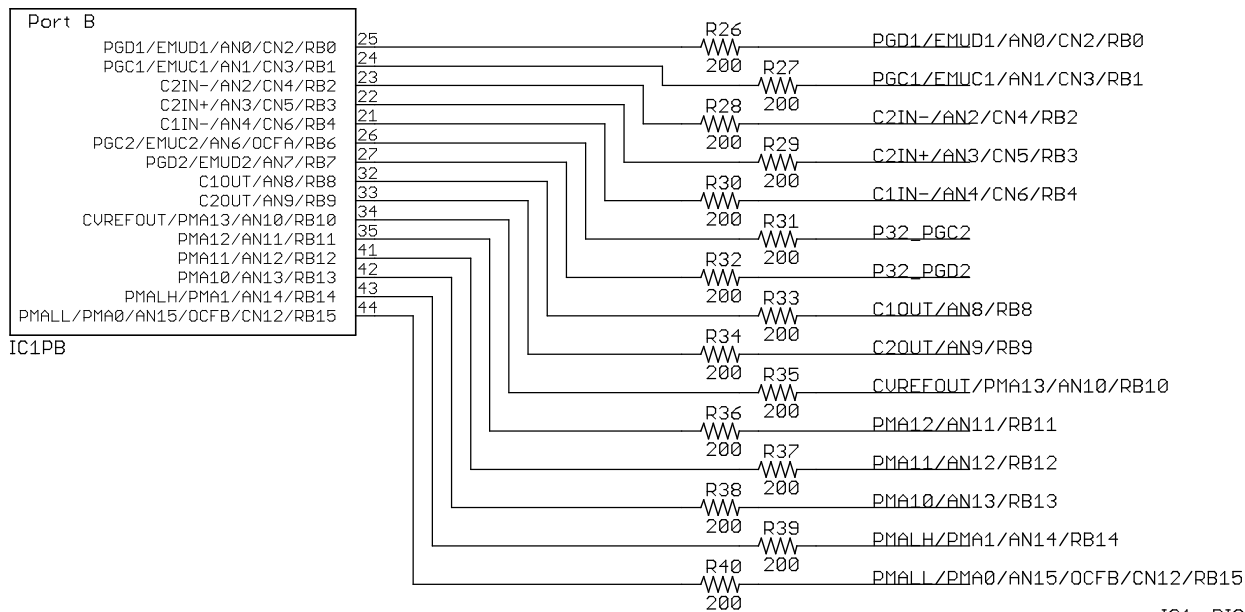
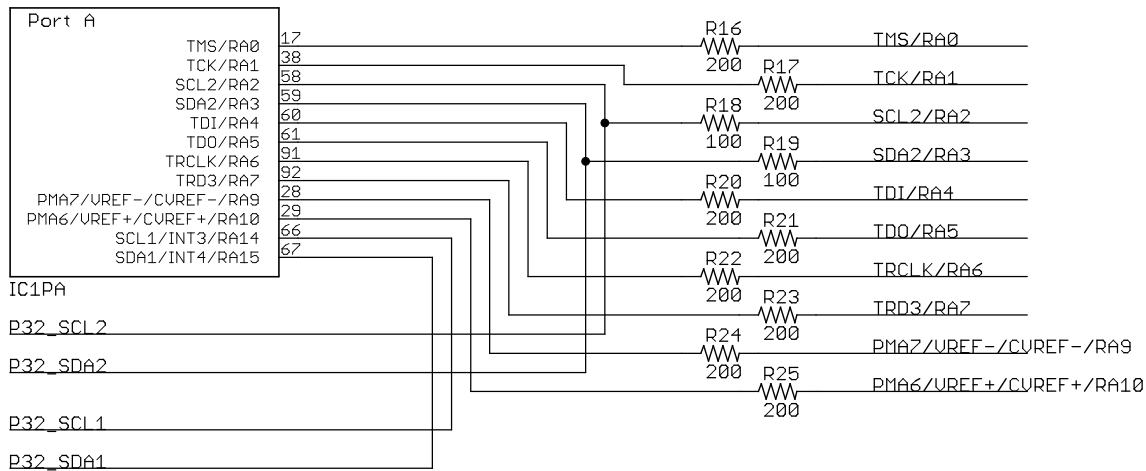
Doc#: 500-173

Date: 07/31/2009

Sheet: 3/9

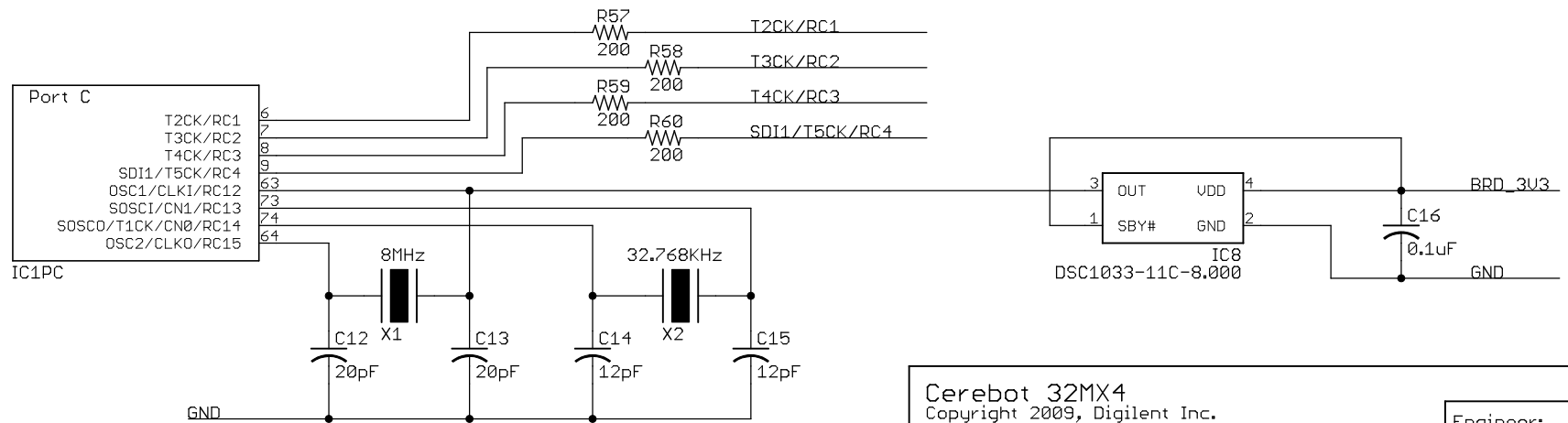
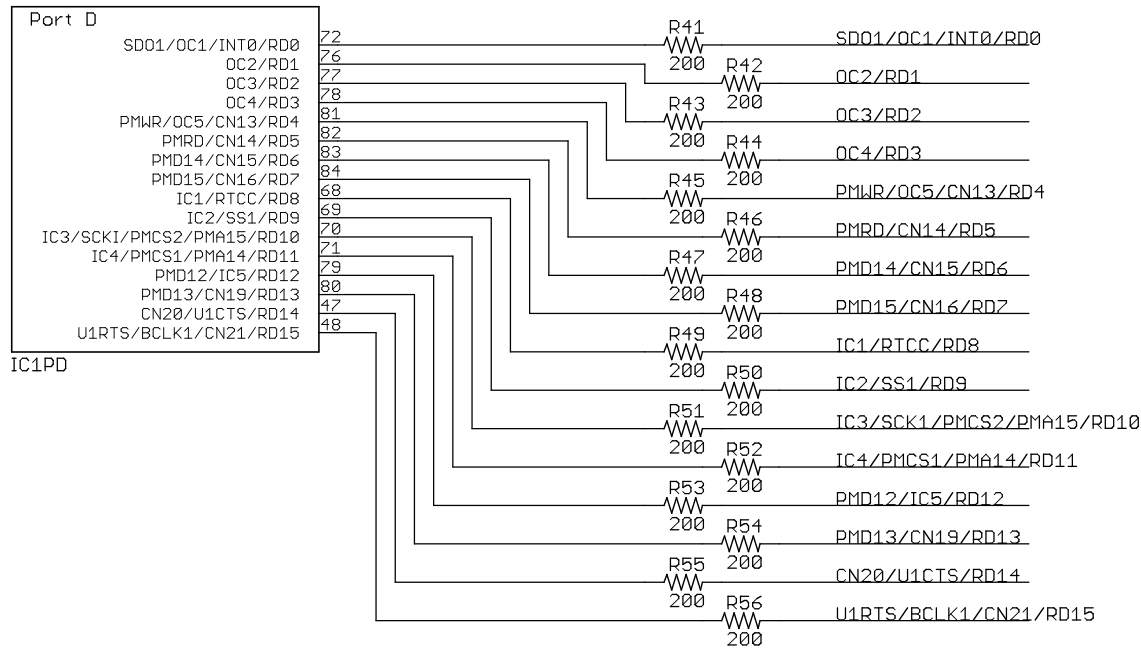


Cerebot 32MX4 Copyright 2009, Digilent Inc.		Engineer: NEA
SHEET: On-board I/O & PIC32 Power		Author: NEA
TITLE: Cerebot 32MX4		Rev: D
Doc#: 500-173	Date: 07/31/2009	Sheet: 4/9

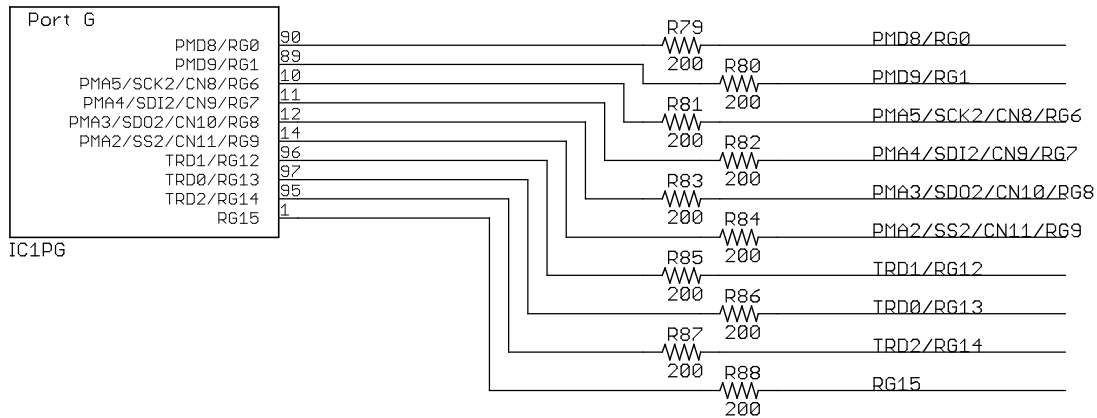
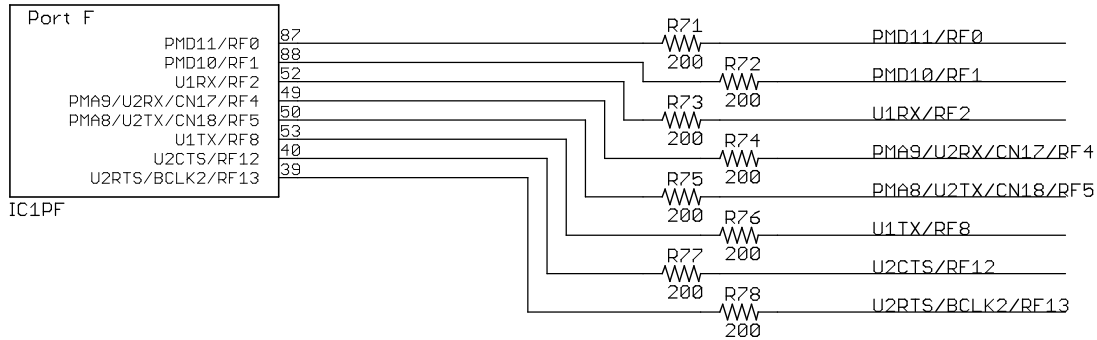
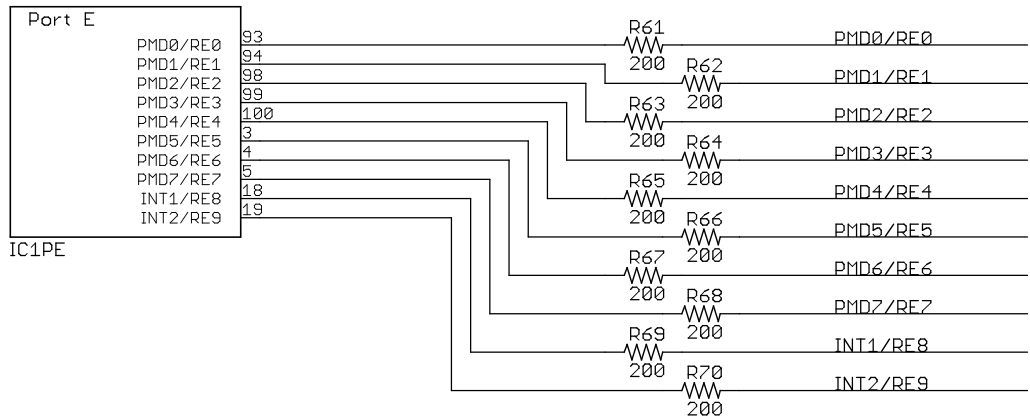


IC1: PIC32MX460F512L

Cerebot 32MX4 Copyright 2009, Digilent Inc.		Engineer: NEA
SHEET: PIC32 Port A and B		Author: NEA
TITLE: Cerebot 32MX4		Rev: D
Doc#: 500-173	Date: 07/31/2009	Sheet: 5/9



Cerebot 32MX4 Copyright 2009, Digilent Inc.		Engineer: NEA
SHEET: PIC32 Port C and D		Author: NEA
TITLE: Cerebot 32MX4		Rev: D
Doc#: 500-173	Date: 07/31/2009	Sheet: 6/9



Cerebot 32MX4
Copyright 2009, Digilent Inc.

Engineer: NEA

SHEET: PIC32 Port E, F, and G

Author: NEA

TITLE: Cerebot 32MX4

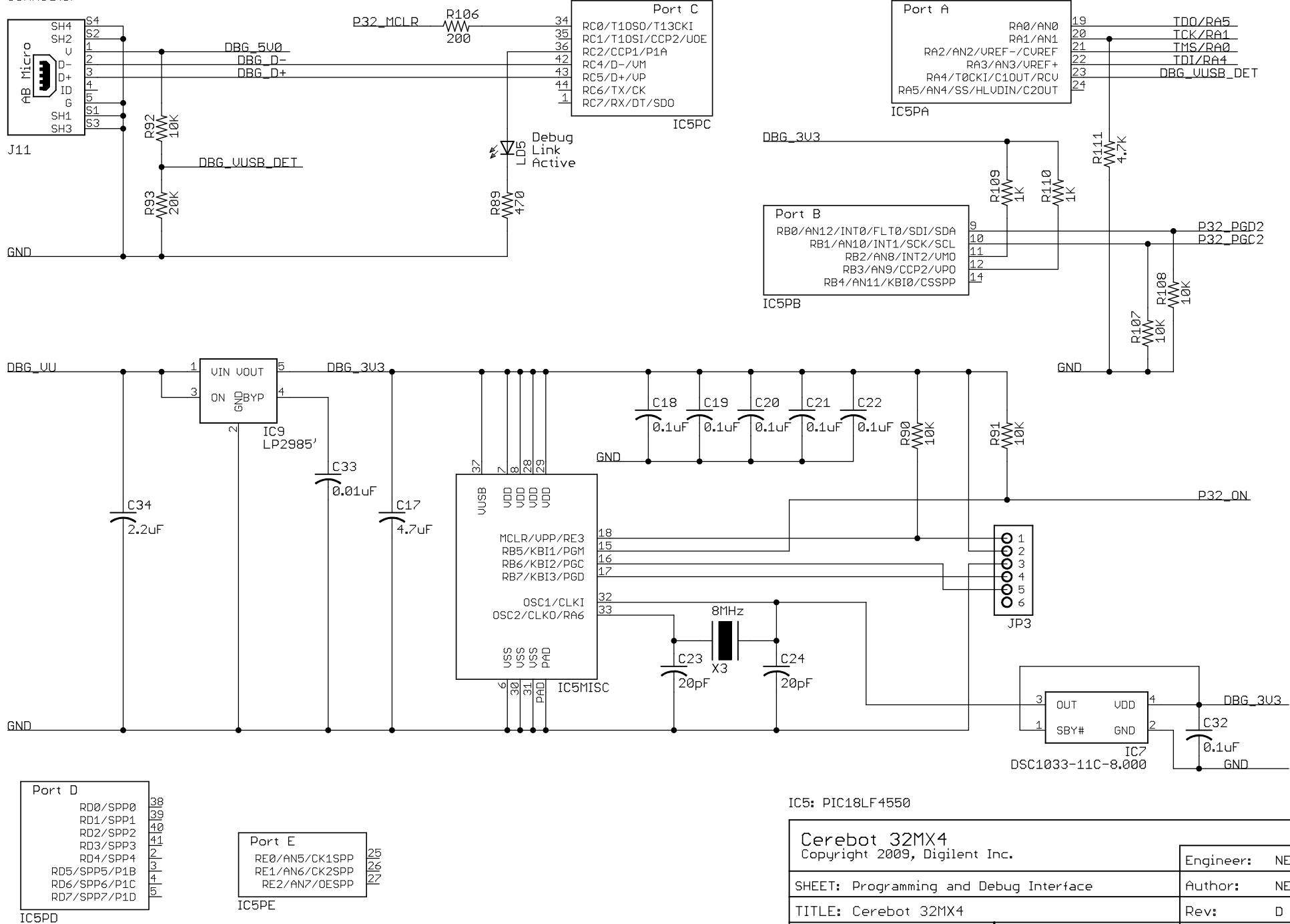
Rev: D

Doc#: 500-173

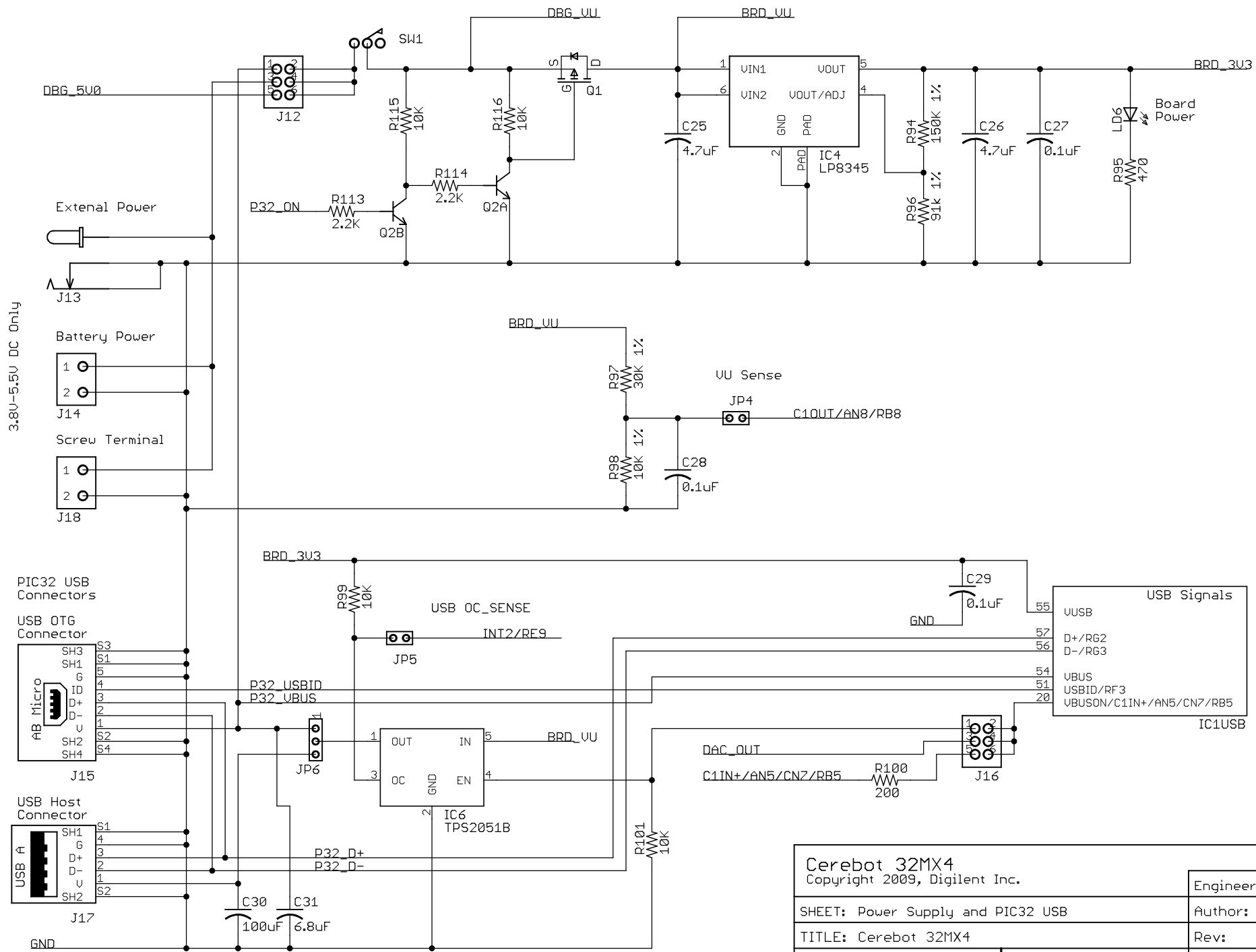
Date: 07/31/2009

Sheet: 7/9

Debug USB Connector



Cerebot 32MX4 Copyright 2009, Digilent Inc.		Engineer: NEA
SHEET: Programming and Debug Interface		Author: NEA
TITLE: Cerebot 32MX4		Rev: D
Doc#: 500-173	Date: 07/31/2009	Sheet: 8/9



Cerebot 32MX4
Copyright 2009, Digilent Inc.

SHEET: Power Supply and PIC32 USB	Engineer: NEA
TITLE: Cerebot 32MX4	Author: NEA
Doc#: 500-173	Rev: D
Date: 07/31/2009	Sheet: 9/9