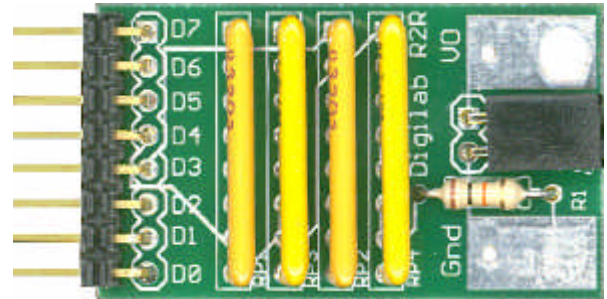


Digilab R2R Peripheral Board



The Digilab R2R board provides an easy way to gain insight and experience with digital-to-analog conversion using R2R circuits. The board uses an R-2R resistor divider network to convert an 8-bit digital input to a corresponding analog value in the range (V_{dd}-GND). The board uses 10K and 20K resistors, so very little current is drawn from input source pins. Separate GND and analog signal-out connections are provided for convenience. The analog out signal is also connected to a large diameter metalized hole for easy oscilloscope connections.

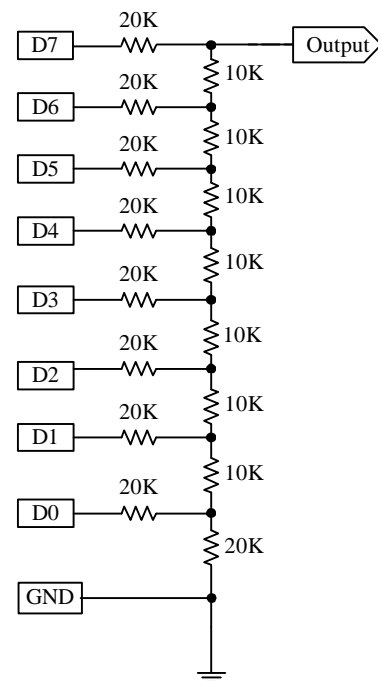


Digilab R2R (resistor ladder) Peripheral Board

R2R board features include:

- 8-bit digital to analog conversion at up to 25MHz +
- Easy attachment of oscilloscopes to illustrate the data conversion process
- Inexpensive and rugged construction

For more information, please see the Digilab R2R reference documents available at our website.



R2R Board Diagram