

MESSRS.

SPECIFICATION FOR APPROVAL

承 認 書

| | |
|--------------------------|----------------------------------|
| Product | PIEZO BUZZER (SELF DRIVE) |
| Part No. | AZ-3035S-W2H (RoHS) |
| Customer Approval | |

| Approved By | Checked By | Made By |
|--------------------|-------------------|----------------|
| | | |



2F, No.207, Sec. 6, Chung Shan N. Rd., Taipei, Taiwan, R.O.C.
Tel: 1006 2 00665755 Fax: 1006 2 00665750



ADVANCED ACOUSTIC TECHNOLOGY CORP.

苙翔科技股份有限公司

File Name:

1. Specifications

AZ-3035S-W2H (RoHS)

| Items | | Units | Specifications | Conditions |
|-------|--------------------|----------|----------------|---------------|
| 01 | Rated Voltage | VDC | 12 | |
| 02 | Operating Voltage | VDC | 4 ~ 28 | |
| 03 | Rated Current | mA(Max) | 15 | At 12VDC |
| 04 | Sound Output | dBA(Min) | 80 | At 12VDC / 1m |
| 05 | Resonant Frequency | Hz | 3500±500 | |
| 06 | Tone Nature | SINGLE | | |
| 07 | Operating Temp. | °C | -20 ~ +60 | |
| 08 | Storage Temp. | °C | -20 ~ +70 | |
| 09 | Weight | g | 8 | |

2. Measuring Method

2-1. Test Condition

STANDARD

Temperature : 15 ~ 35°C

Relative humidity : 25% ~ 85%,

Atmospheric pressure : 860mbar to 1060mbar.

JUDGEMENT

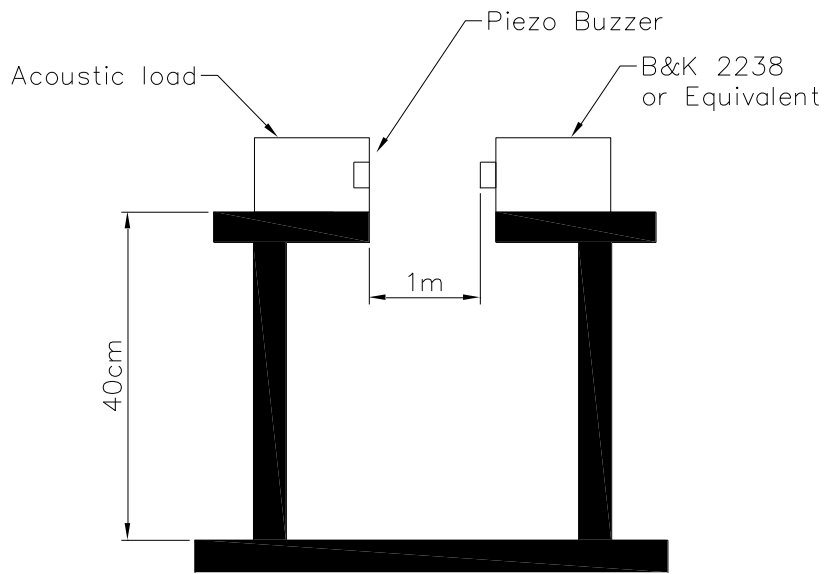
Temperature : 20±3°C

Relative humidity : 60% ~ 70%,

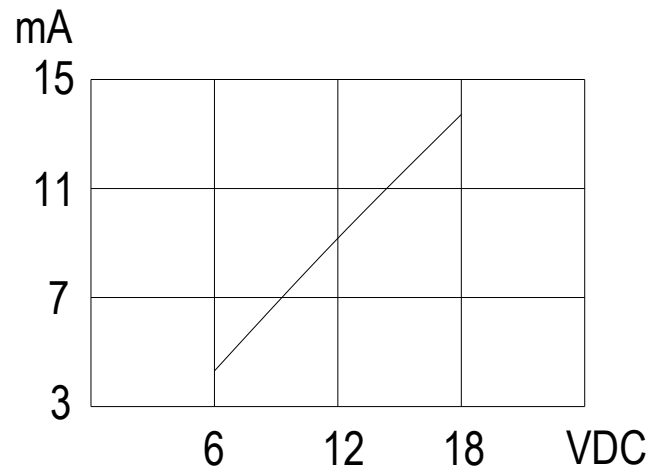
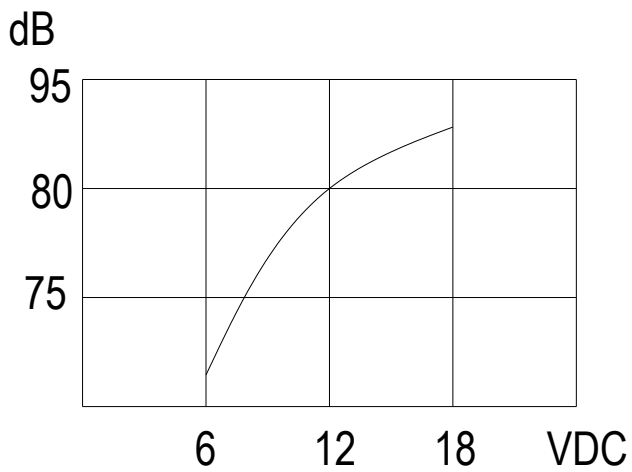
Atmospheric pressure : 860mbar to 1060mbar

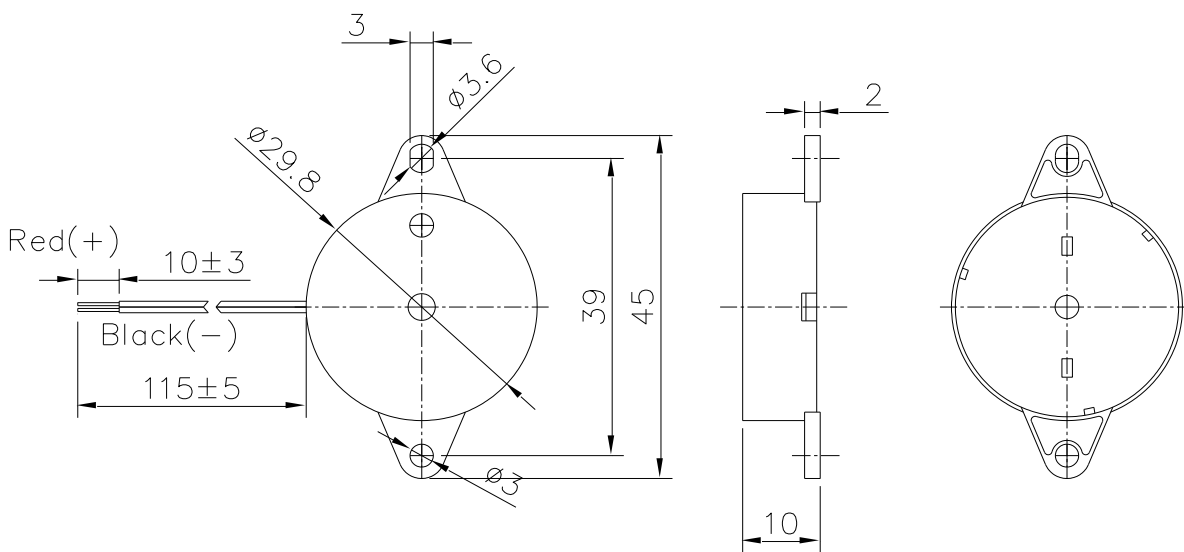
2-2. Standard Test Fixture

STANDARD TEST FIXTURE



2-3. Characteristic Curve





併線 WIRE : UL 1095, AWG 28.

| | | | | | |
|------------------------------|--|--------------------|-----------------------------|------------|---------------|
| TITLE: PIEZO BUZZER | | DRAWN: TOM | 06/10/2008 | SCALE: 1:1 | SHEET: 1 of 1 |
| PART NO. AZ-3035S-W2H | | DESIGNED: AATC R&D | UNITS: mm | | |
| DWG NO. DTP-1177 | | CHECKED: | TOLERANCE ± 0.5 | | |
| | | APPROVAL: | UNLESS OTHERWISE SPECIFIED: | | |
| REV 1 | | MATERIAL: ABS | ONE PLACE DECIMAL ± *** | | |
| | | | TWO PLACE DECIMAL ± *** | | |
| | | | THREE PLACE DECIMAL ± *** | | |



苙翔科技股份有限公司
ADVANCED ACOUSTIC TECHNOLOGY CORPORATION

4. Reliability Test

| Item | Conditions | Evaluation standard |
|--------------------------------|---|---|
| 01 Low Temp. Storage Test | -40°F(240Hr) | After the test the part shall meet specifications without Any degradation and performance except S.P.L S.P.L shall be 77dB or more. |
| 02 High Temp.Storage Test | 85°F(240Hr) | |
| 03 Temp./Humidity Storage Test | 40°F(240Hr) CRH90-95% | |
| 04 Thermal Shock Test | -40°F(0.5Hr)→,20°F(0.25Hr) 85°F(0.5Hr)→,20°F(0.5Hr) 5 cycles | |
| 05 Vibration Test | 10-55Hz/2 Hr amplitude1.5mm X,Y, Z,3 directions | |
| 06 Mechanical Shock Test | +100G,Half Sine wave, XYZ , 3 impacts per axis ,3 times. | |
| 07 Free Drop Test | The part shall be dropped freely from a height of 75 cm X,Y, Z,3 directions 3times (total 9 times) | |
| 08 Life Burning Test | The part shall be subjected to 500 hrs in the room temp with rated voltage applied | |
| 09 Lead Strength Test | Pull Lead with a force of 10N,on the direction of the lead axis for 10±1 sec. | |