

MESSRS. 客戶公司行號

SPECIFICATION FOR APPROVAL

承 認 書

Product	ELECTRET CONDENSER MICROPHONE
Part No.	AMF-O60C40-NB3-LF
Customer Approval	
Customer Part No.	

Approved By	Checked By	Made By
 <p>工程部 JASON CHEN OCT-22-2013</p>	 <p>工程部 ZACK GUO OCT-22-2013</p>	 <p>工程部 JERRY CHEN OCT-22-2013</p>



Advanced Acoustic Technology Corporation
昊宸股份有限公司 // 常州笠翔电子有限公司



ISO 9001 Certified
ISO 14001 Certified
QS9000 Certified

Head Company / 2F, No.207, Sec. 6, Chung Shan N. Rd., Taipei, Taiwan

Tel: +886-2-8866-5255 Fax: +886-2-8866-5250

大陸總公司 / 中國江蘇省常州市新北區龍虎塘工業園新苑四路 89 號

Tel: +86-519-8511-2382 Fax: +86-519-8510-0908

<http://www.aatc.com.tw> www.aatc.com.cn

EDITION:1.1

RoHS

1. SPECIFICATIONS

AMF-O60C40-NB3-LF

01	Electret's Type	Foil type
02	Sensitivity	-40±3dB (0dB=1V/Pa,1KHz)
03	Standard Operation Voltage	2.0 V
04	Output Impedance	2.2 KΩ
05	Directivity	Omni directional
06	Frequency Range	100 - 20K Hz
07	Max. Operation Voltage	10V
08	Current Consumption	Max.0.5mA
09	Sensitivity Reduction	Within -3dB 0dB=1V/Pa,1KHz Vs=2.0to 1.5V
10	S/N Ratio	≥58dB
11	Sound Pressure Level	110 dB
12	Operating Temperature	-20~+60°C
13	Storage Temperature	-25~+70°C

2. MEASURING METHOD

2-1. Test Condition

Standard Conditions:

Generally Temperature 15~35°C

Generally Humidity 45~85%

Generally Atmospheric Pressure 860~1060hpa

Basic Test Conditions:

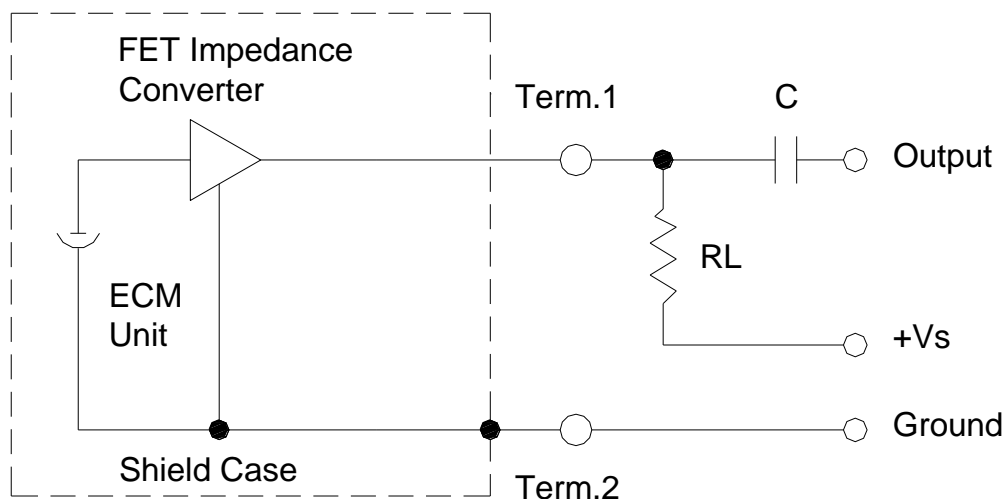
Temperature 20±2°C

Humidity 60~70%

Generally Atmospheric Pressure 860~1060hpa

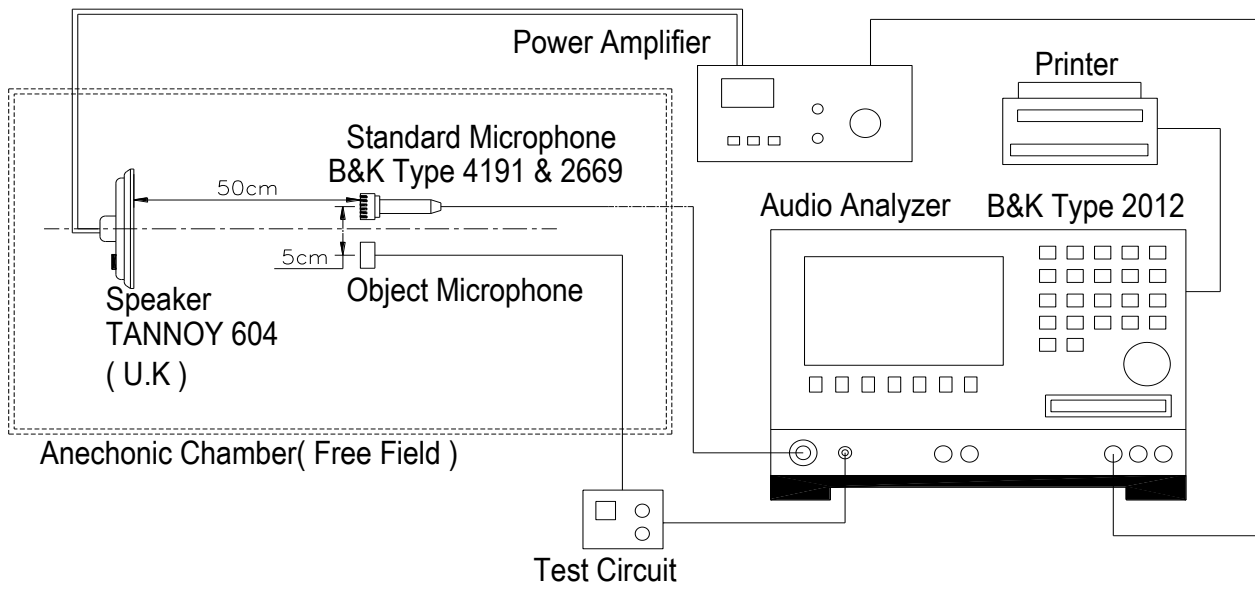
2-2. Standard Test Circuit

Vs=2.0V RL=2.2KΩ Te=20°C R.H.=60%



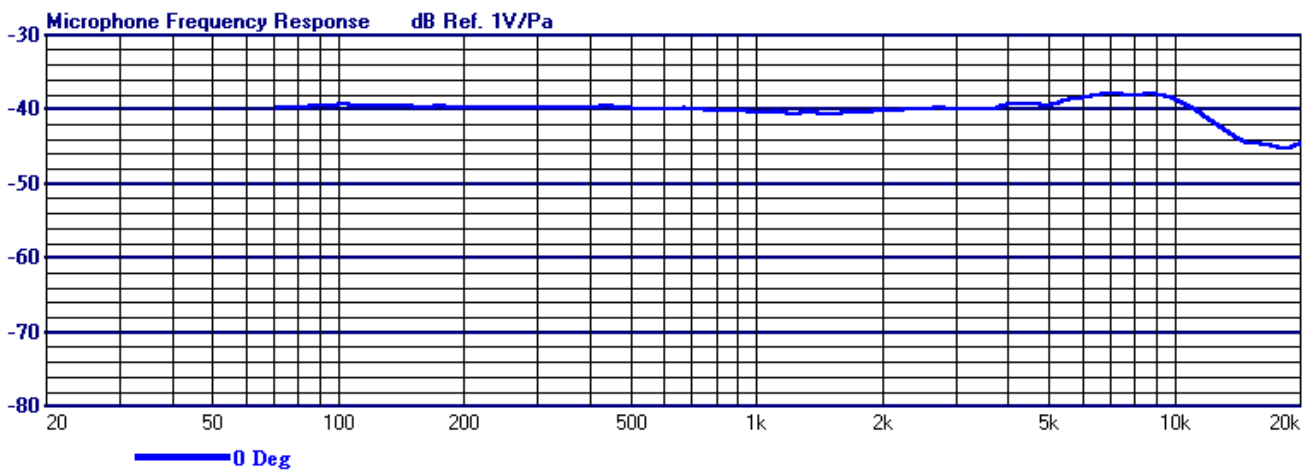
RoHS

2-3. Standard Test Fixture



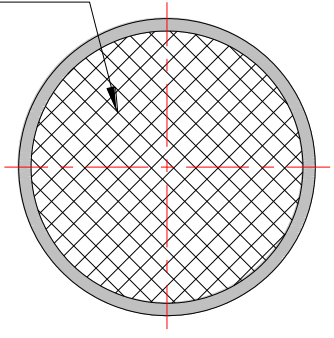
2-4. Frequency Response Curve

X : 1000 Hz
Y : -40.3 dBV/Pa
Y : -38.1 dBm/Pa
D : 0.0 dB

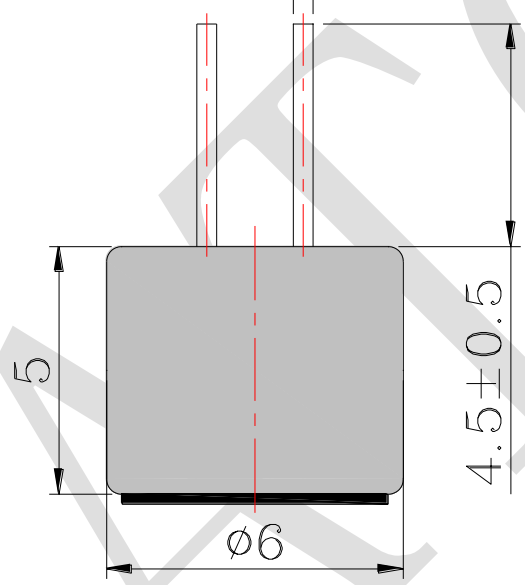


REV NO.	REVISION NOTE	APPROVAL	DATE
---------	---------------	----------	------

FILTER

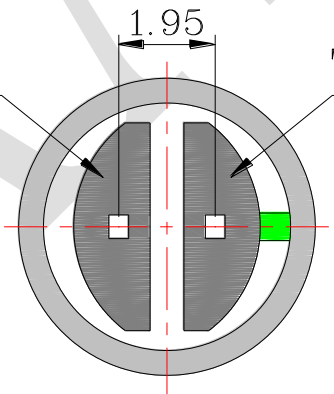


2 - $\phi 0.4 \pm 0.1$



Term-1(+)

Term.2(-)



RoHS

TITLE: MICROPHONE		DRAWN: Jery 2013/10/22	SCALE: 5:1	SHEET: 1 of 1
PART NO. AMF-060C40-NB3-LF		DESIGNED: R & D OF AAT	UNITS: mm	
DWG NO. F6050AP(4.5) 4772	2 REV	CHECKED:	TOLERANCE ± 0.3	
		APPROVAL:	UNLESS OTHERWISE SPECIFIED:	
		MATERIAL: *****	ONE PLACE DECIMAL \pm *** TWO PLACE DECIMAL \pm *** THREE PLACE DECIMAL \pm ***	



ADVANCED ACOUSTIC TECHNOLOGY CORPORATION

4. RELIABILITY TEST

Item		Test Conditions	Evaluation Standard
01	High Temp. Test	After exposure at 70°C for 96 hours	After any tests , the sensitivity to be within ±3dB of initial sensitivity after 3 hours of conditioning at 20°C and shall keep their initial operation and appearance.
02	Low Temp. Test	After exposure at -25°C for 96 hours	
03	Temp. Cycle Test	A After exposure at 70°C for 30 minutes, at room temp. for 10 minutes, at -25°C for 30 minutes, at room temp. for 10 minutes, at 5 cycles.	
04	Humidity Test	After exposure at 40°C and 90±5% relative humidity for 96 hour.	
05	Vibration Test	10~50Hz for 1 minute full amplitude 1.52mm for 2 hours at three axis.	
06	Drop test	The microphone unit without packaged must be subjected to each 3 drops at three axis from the height of 1 meter to 20mm thick hardwood.	

5. SOLDERING CONDITION

Every microphone has installed FET, The FET is easy broken by **strong heat** and **static electricity**, so when you working on, pls be attention that:

- a. Recommend using constant searing-iron in temperature range **330±5°C**.
- b. Soldering time **2** seconds.
- c. Don't stay any hole or dust when soldering.
- d. To avoid the microphone be broken by static electricity, the people and working station should install prevent static electricity equipment.